

DAIHATSU

CHARADE

Chassis

SECTION 9 BODY

ALIGNMENT ADJUSTMENTS	9- 2	BACK DOOR GARNISH	9-35
ENGINE HOOD ALIGNMENT ADJUSTMENT	9- 2	ARTICLES TO BE PREPARED	9-35
FRONT DOOR ALIGNMENT ADJUSTMENT	9- 3	INSTALLATION POSITION	9-35
REAR DOOR ALIGNMENT ADJUSTMENT	9- 4	REMOVAL	9-35
HATCHBACK DOOR ALIGNMENT ADJUSTMENT	9- 5	INSTALLATION	9-35
POWER SUNROOF ALIGNMENT ADJUSTMENT	9- 6	BACK DOOR OUTSIDE GARNISH NO.2	9-36
FRONT BUMPER	9- 9	ARTICLES TO BE PREPARED	9-36
COMPONENTS	9- 9	COMPONENTS	9-36
REMOVAL	9- 9	REMOVAL	9-36
INSTALLATION	9- 9	INSTALLATION	9-37
REAR BUMPER	9-12	FRONT DOOR	9-38
COMPONENTS	9-12	DOOR TRIM AND SERVICE HOLE COVER	9-38
REMOVAL	9-12	DOOR LOCK AND OUTSIDE DOOR HANDLE	9-42
INSTALLATION	9-13	DOOR GLASS AND REGULATOR	9-44
RADIATOR GRILLE	9-15	REAR DOOR	9-47
COMPONENTS	9-15	DOOR TRIM AND SERVICE HOLE	9-47
REMOVAL	9-15	DOOR LOCK AND OUTSIDE DOOR HANDLE	9-49
INSTALLATION	9-15	DOOR GLASS AND REGULATOR	9-47
COMPONENTS	9-16	BACK DOOR	9-53
REMOVAL	9-16	REMOVAL	9-53
FRONT FENDER	9-17	INSTALLATION	9-56
COMPONENTS	9-17	BACK DOOR OPENER AND FUEL LID OPENER	9-57
REMOVAL	9-17	POWER GLASS SUNROOF WITH	
INSTALLATION	9-19	TILT-UP MECHANISM	9-60
HOOD LOCK CONTROL CABLE	9-20	COMPONENTS	9-60
COMPONENTS	9-20	REMOVAL	9-61
REMOVAL	9-20	INSTALLATION	9-63
INSTALLATION	9-21	ROOF DRIP MOLDING	9-66
WINDOWS	9-22	INSTALLATION POSITION	9-66
FRONT WIND SHIELD	9-22	REMOVAL	9-66
BACK DOOR GLASS	9-28	INSTALLATION	9-67
QUARTER WINDOW GLASS	9-31	EXHAUST PIPE	9-67
OUTSIDE MOLDINGS	9-32	COMPONENTS	9-67
ARTICLES TO BE PREPARED	9-32	FRONT PIPE	9-67
COMPONENTS	9-32	CENTER PIPE	9-69
REMOVAL	9-32	TAIL PIPE	9-69
INSPECTION AND CLEANING	9-32	FUEL TANK	9-70
INSTALLATION	9-33	COMPONENTS	9-70
		FUEL INLET PIPE	9-71
		FUEL TANK	9-73

9

ALIGNMENT ADJUSTMENTS

ENGINE HOOD ALIGNMENT ADJUSTMENT

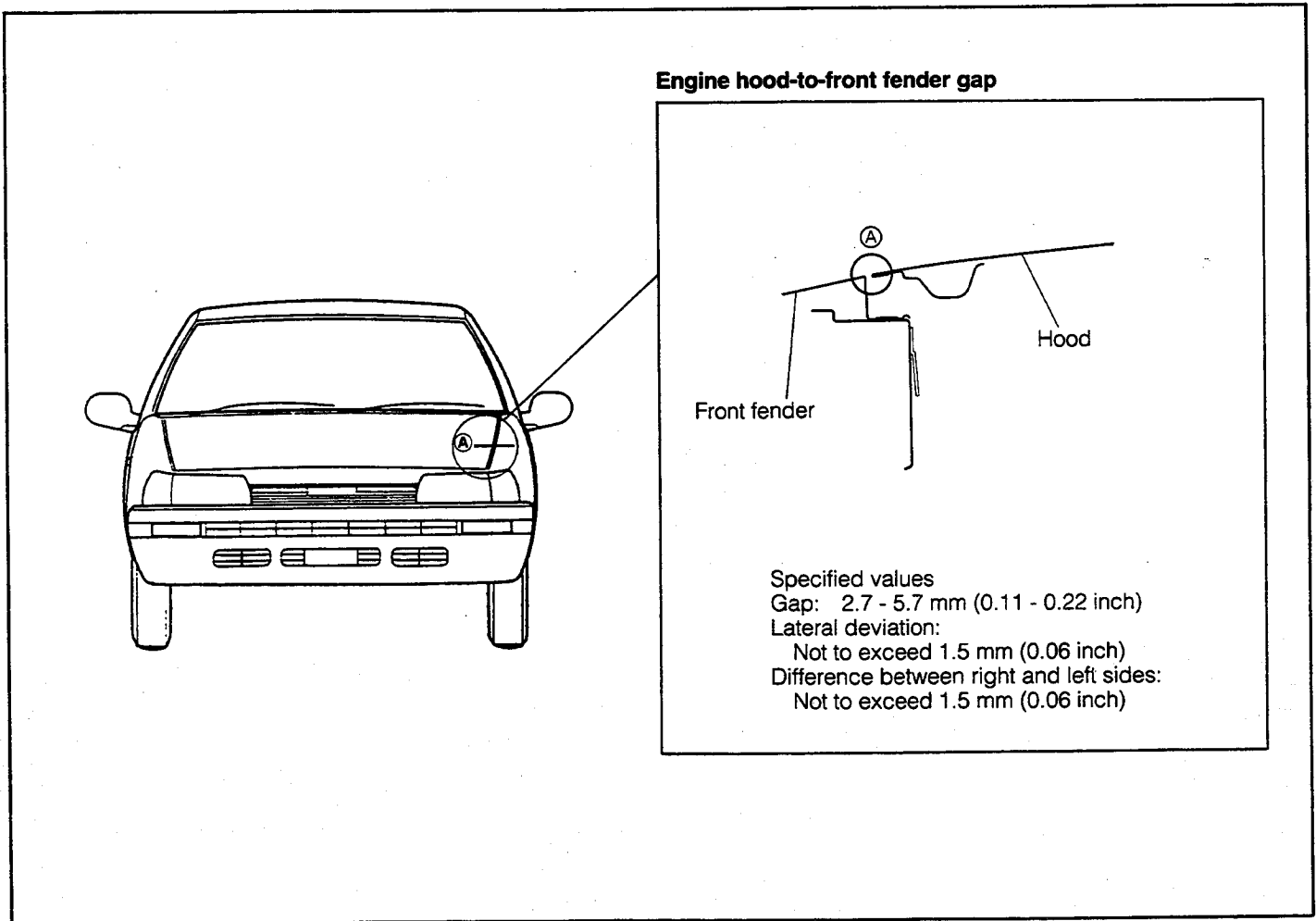


Fig. 9-1

WR-09002

1. Adjustment of engine hood-to-front fender gap
Loosen the bolts (A). Perform the adjustment by moving the hood.

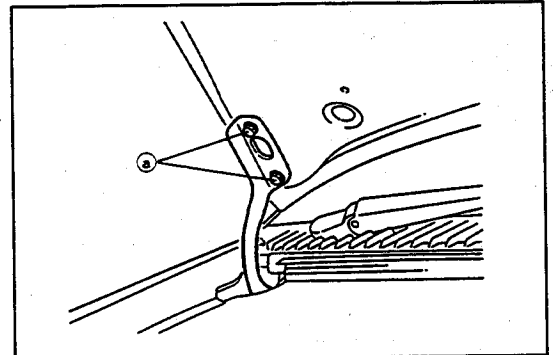


Fig. 9-2

WR-09003

2. Hood lock adjustment
Loosen the three attaching bolts of the hood lock. Perform the adjustment by moving the hood lock.
(Adjust the hood lock in such a way that you will feel a slight looseness when the center section of the hood end is pushed strongly.)

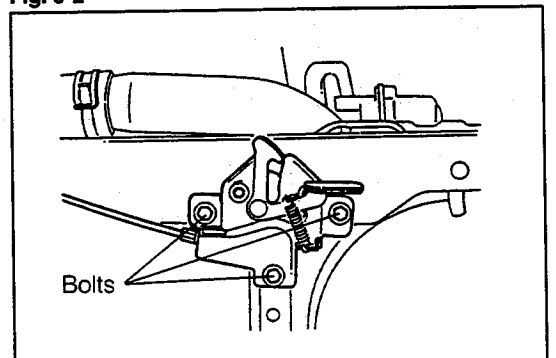


Fig. 9-3

WR-09004

FRONT DOOR ALIGNMENT ADJUSTMENT

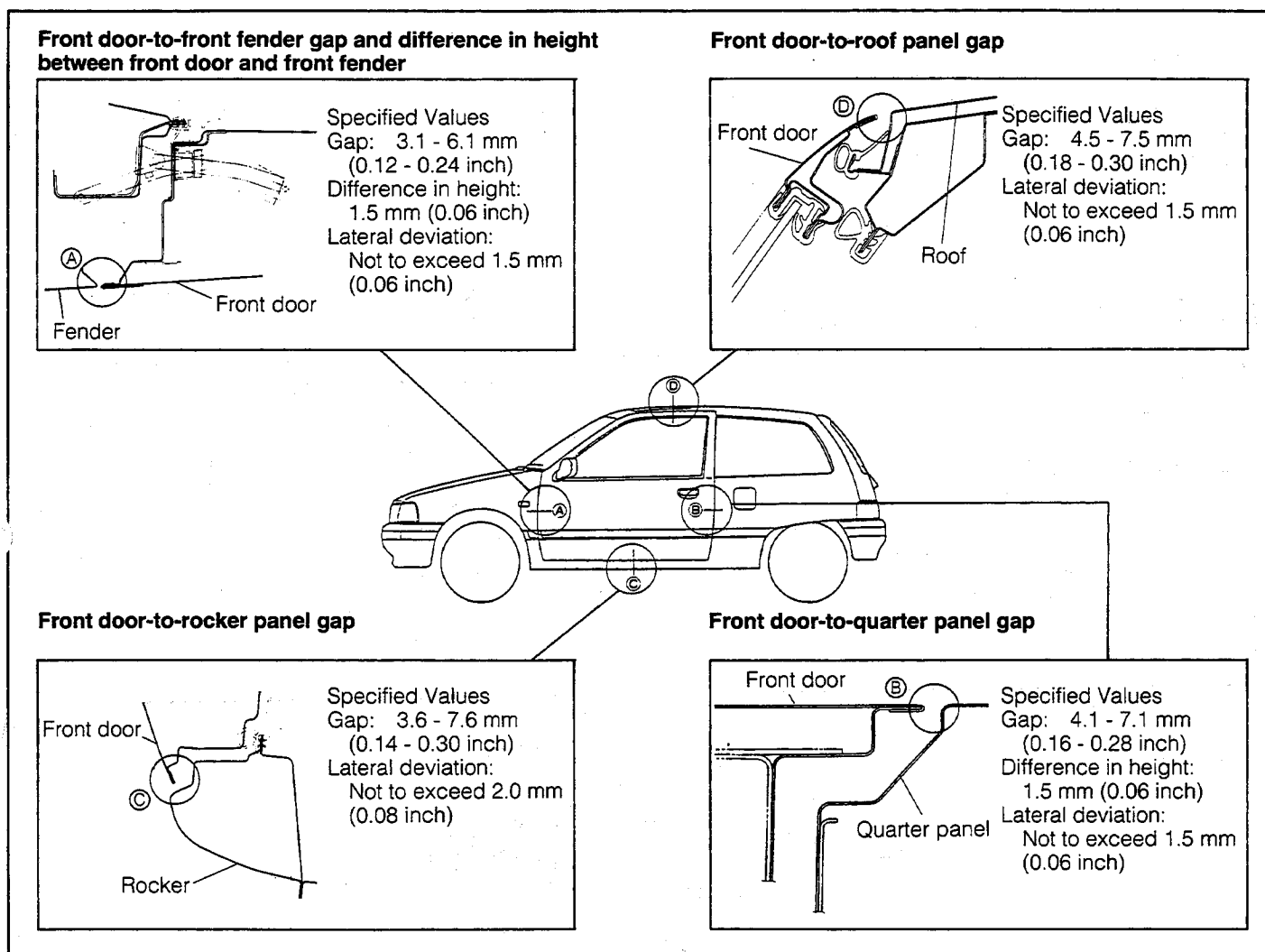


Fig. 9-4

WR-09005

- Adjustments of Front Door-to-Front Fender Gap and Front Door-to-Quarter Panel Gap

Replace the bolts (a). Perform the adjustment by moving the door panel in a fore-and-aft direction.

SST: 09812-30010-000

NOTE:

Adjustment-free bolts have been employed in the assembly plant. Hence, the adjustment should be performed after replacing the bolts with the following bolts.

Part Number of Bolt: 91661-60820-000

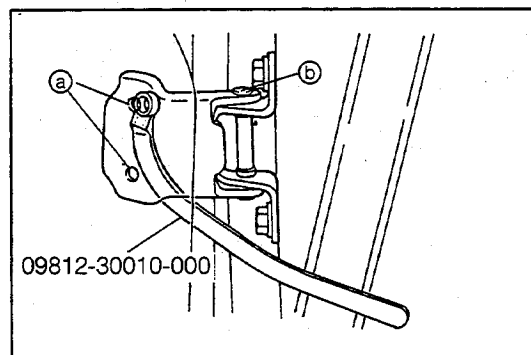


Fig. 9-5

WR-09006

- Adjustments of Front Door-to-Rocker Panel Gap and Front Door-to-Roof Panel Gap

Loosen the bolt (b). Perform the adjustment by moving the door panel in an up-and-down direction.

SST: 09812-30010-000

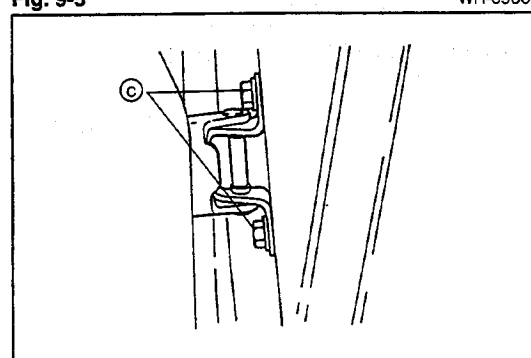


Fig. 9-6

WR-09007

- Adjustment of Difference in Height between Front Door and Front Fender

Loosen the bolts (c). Perform the adjustment by moving the door panel in a right-and-left direction.

BODY

4. Door Lock Adjustment

Loosen the screws (ⓐ) of the lock striker. Perform the adjustment by tapping the striker lightly.

NOTE:

Never attempt to correct the door sagging at its rear part by the adjustment of this lock striker. The correction should be made by adjusting the door hinge section.

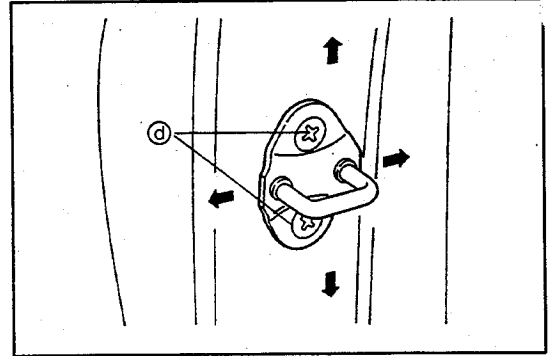


Fig. 9-7

WR-09008

REAR DOOR ALIGNMENT ADJUSTMENT

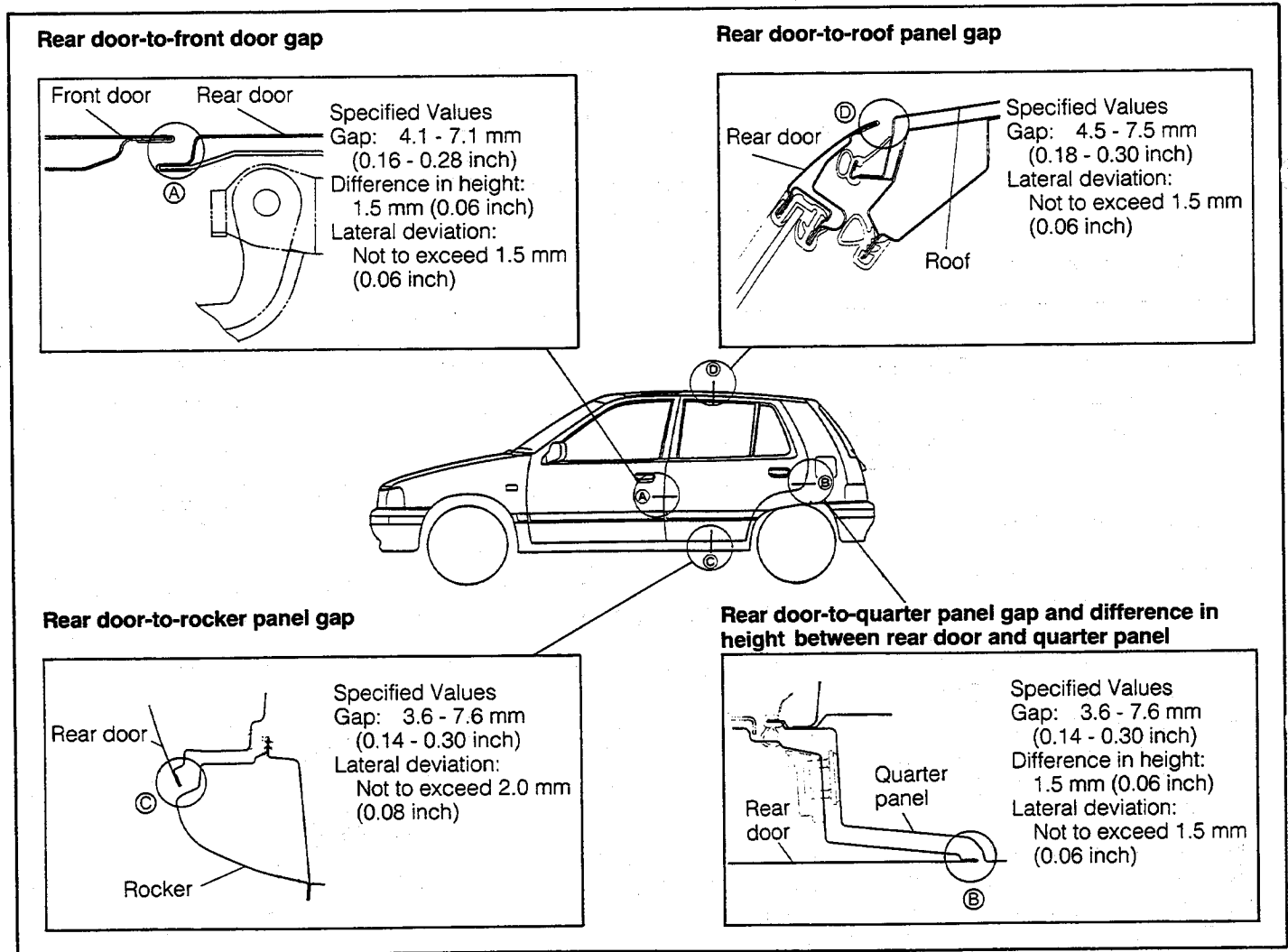


Fig. 9-8

WR-09009

1. Adjustments of Rear Door-to-Front Door Gap and Rear Door-to-Quarter Panel Gap

Replace the bolts (ⓐ). Perform the adjustment by moving the door panel in a fore-and-aft direction.

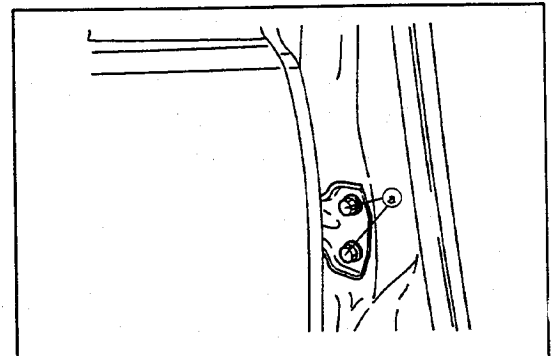


Fig. 9-9

WR-09010

- Adjustment of Difference in Height between Rear Door and Front Door
Loosen the bolts (b). Perform the adjustment by moving the door panel.

- Adjustments of Rear Door-to-Rocker Panel Gap and Rear Door-to-Roof Panel Gap
Loosen the bolt (b). Perform the adjustment by moving the door panel in an up-and-down direction.

NOTE:

As for the bolts (b), adjustment-free bolts have been employed in the assembly plant. Hence, the adjustments described in the steps 2 and 3 should be performed after replacing the bolts with the following bolts.

Part Number of Bolt: 91661-60820-000

- Adjustment of Difference in Height between Rear Door and Quarter Panel
Loosen the screws (c) of the lock striker. Perform the adjustment by moving the striker in a right-and-left direction.

- Door Lock Adjustment
Loosen the screws (c) of the lock striker. Perform the adjustment by tapping the striker lightly.

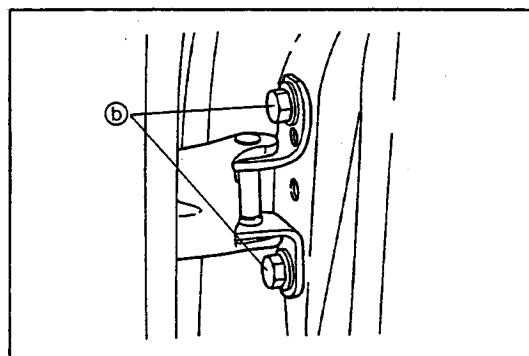


Fig. 9-10

WR-09011

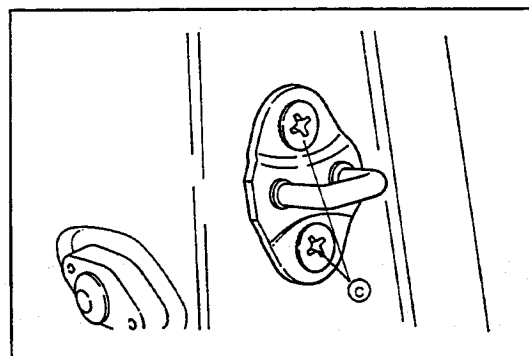


Fig. 9-11

WR-09012

HATCHBACK DOOR ALIGNMENT ADJUSTMENT

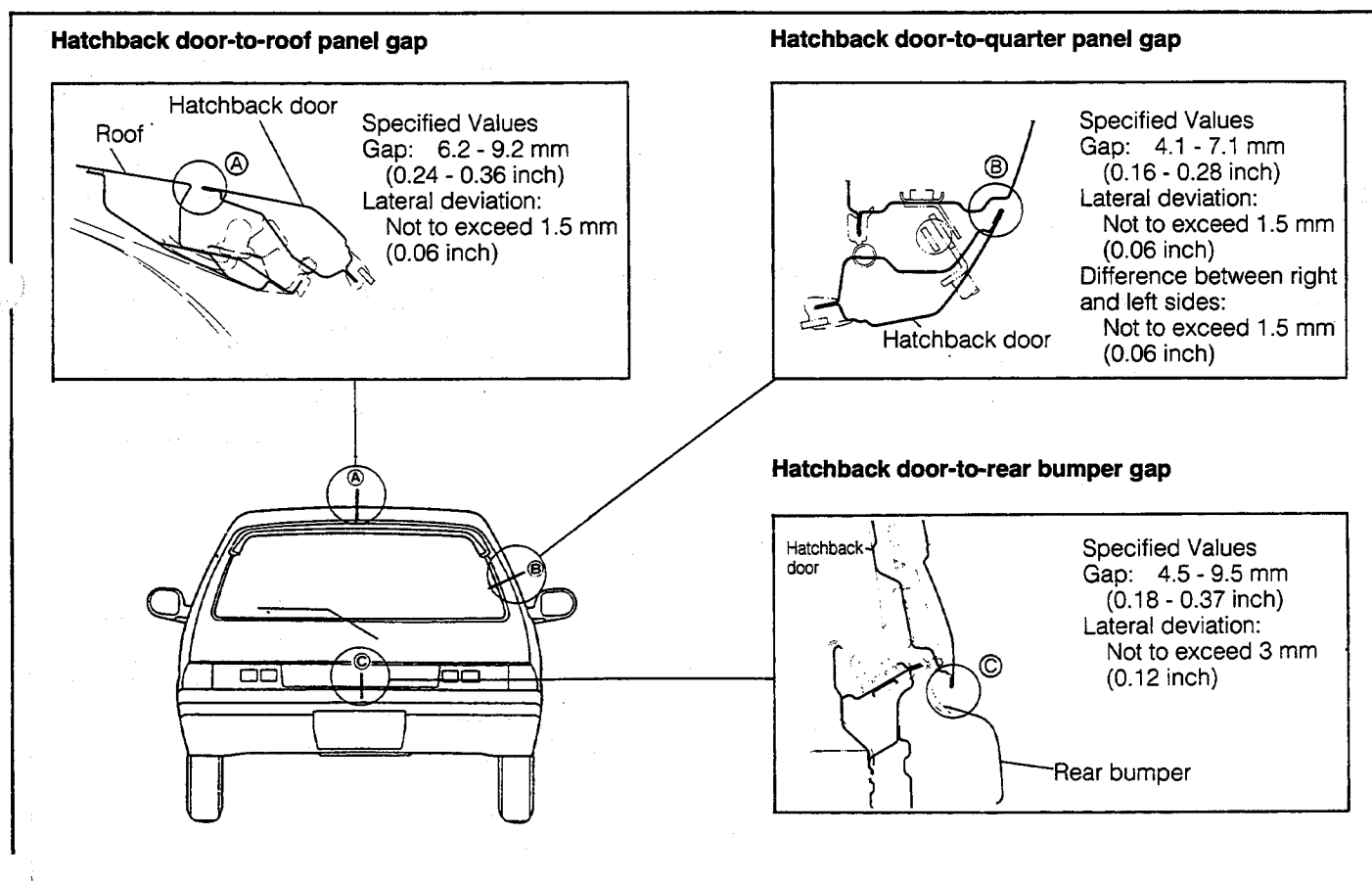


Fig. 9-12

WR-09013

BODY

- Adjustments of Hatchback Door-to-Roof Panel Gap, Hatchback Door-to-Quarter Panel Gap and Hatchback Door-to-Rear Bumper Gap

- Loosen the bolts (a). Perform the adjustment.
- If the adjustment can not be performed properly, loosen the nuts (b) at the vehicle interior and perform the adjustment.

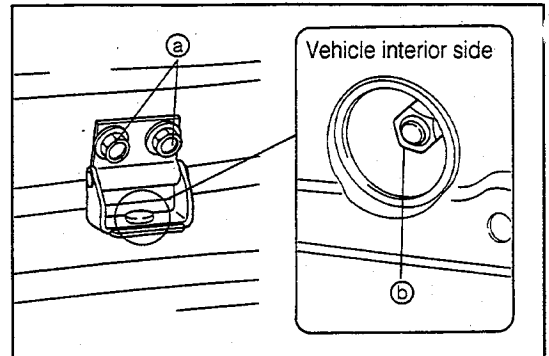


Fig. 9-13

WR-09014

- Hatchback Door Lock Adjustment

Loosen the screws (c) of the lock striker. Perform the adjustment by tapping the striker lightly.

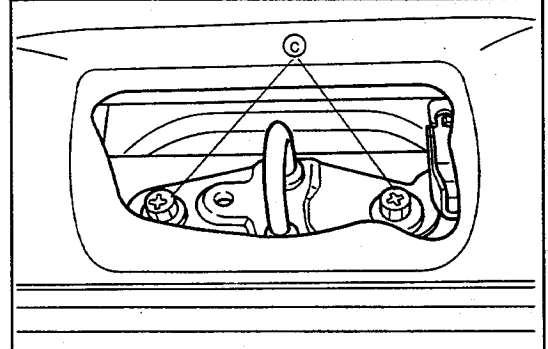


Fig. 9-14

WR-09015

POWER SUNROOF ALIGNMENT ADJUSTMENT

- Difference in Height (A) between Sliding Roof and Roof Panel

Specified Value:

Difference in height: 0 - 3 mm (0 - 0.12 inch)

Lateral deviation: Not to exceed 2 mm (0.08 inch)

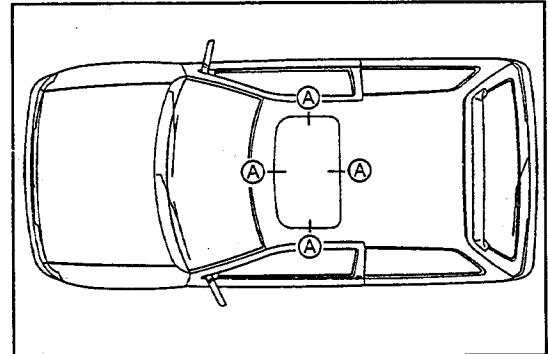


Fig. 9-15

WR-09016

(How to Move Sunroof Manually)

- Detach the sunroof switch cover.
- Loosen the screw (A) located at the right side of the motor about one turn, using the wrench for exclusive use in the sunroof.
- Move the sunroof by turning the screw (B) at the left side.

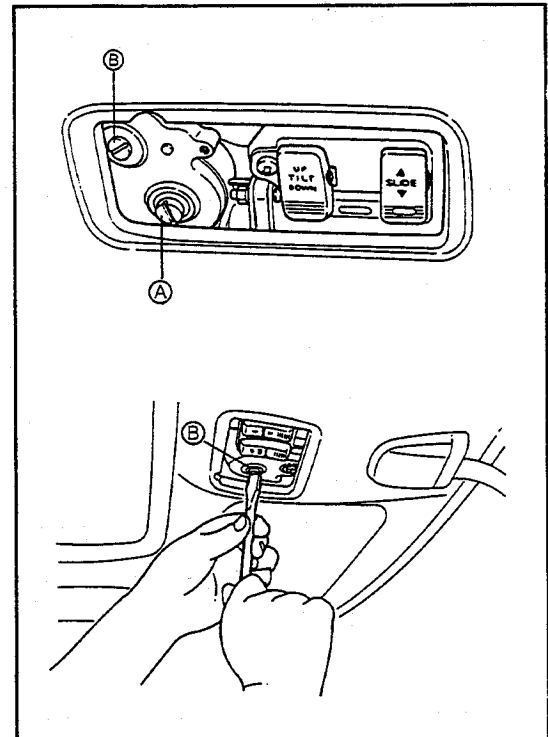


Fig. 9-16

WR-09017

2. Adjustment of Difference in Height between Sliding Roof and Roof Panel

Correct any difference in height between the sliding roof and the roof panel by increasing or decreasing the adjusting shims provided between the sliding roof and the sliding roof drive cable bracket.

NOTE:

If the sliding roof is higher at the front section (even under a condition where no shims are employed), there is a possibility that the sliding roof is not closed fully. Hence, make sure that the sliding roof is closed fully.

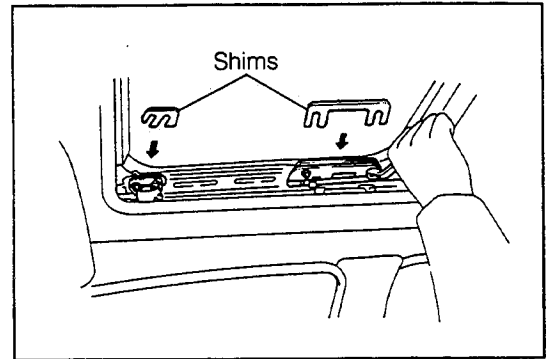


Fig. 9-17

WR-09018

3. Adjustment of Sliding Roof in a Fore-and-Aft Direction

Loosen the attaching bolts of the sliding roof at both sides. Perform the adjustment by moving the panel.

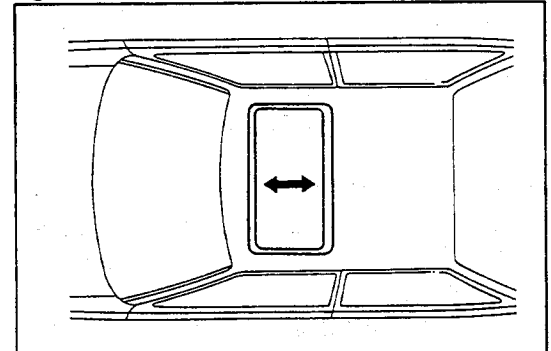


Fig. 9-18

WR-09019

4. Adjustment of Sliding Roof in a Right-and-Left Direction

Loosen the nut of the rear shoe. Perform the adjustment by moving the sliding roof in a right-and-left direction.

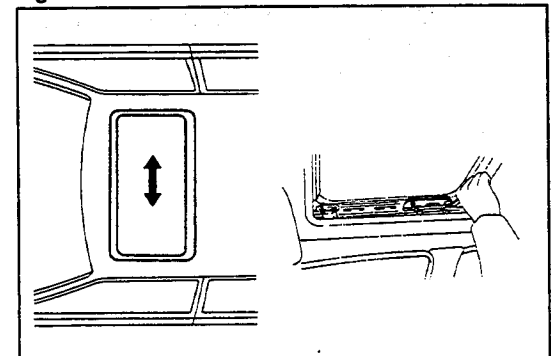


Fig. 9-19

WR-09020

5. Lateral Deviation in Sliding Roof-to-Roof Panel Gap

(1) If the sliding roof exhibits a deviation of about 2 mm (0.08 inch), detach the gear and advance the cable at the side having a wider gap one notch.

[One notch of cable: 2.5 mm (0.10 inch)]

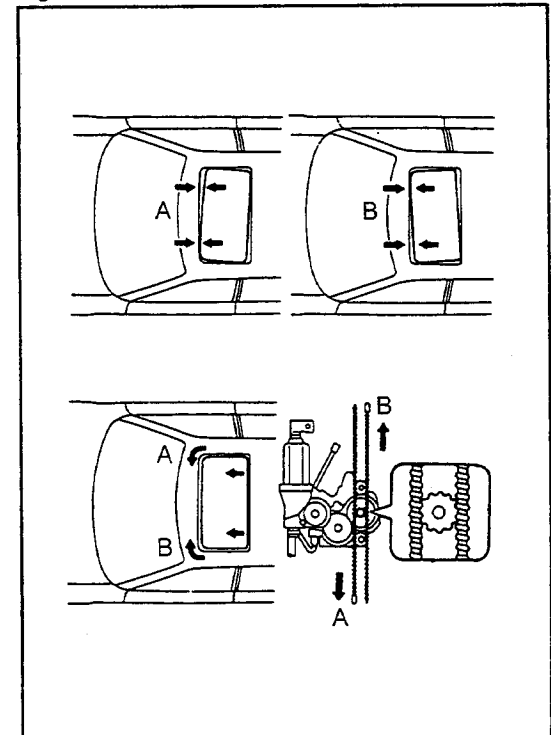


Fig. 9-20

WR-09021

BODY

- (2) If the gear has been detached, align the link position by inserting a pin or the like into the reference hole. Then, set the sliding roof in the tilt fully-closed condition and attach the gear.

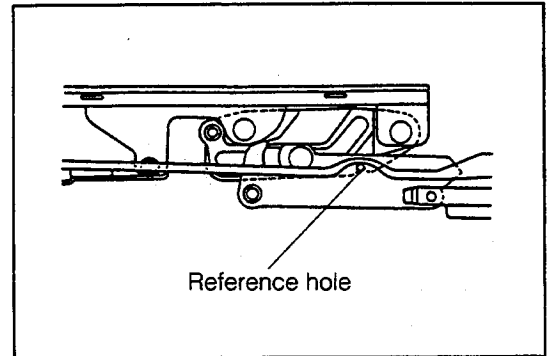


Fig. 9-21

WR-09022

- (3) If the sliding roof exhibits a deviation of about 1 mm (0.04 inch), loosen the nut of the rear shoe. Then, readjust the installation position of the sliding roof to the normal position.

Inspection After Adjustment

1. Ensure that the sliding roof operates from the fully-opened position to the fully-closed position (while the engine is running).
2. Ensure that the sliding roof exhibits no binding or emits no abnormal noise during the operation.
3. Make sure that no water leaks into the vehicle when the sliding roof is fully closed.

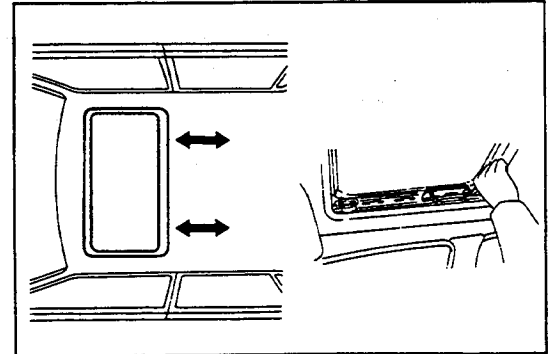


Fig. 9-22

WR-09023

FRONT BUMPER COMPONENTS

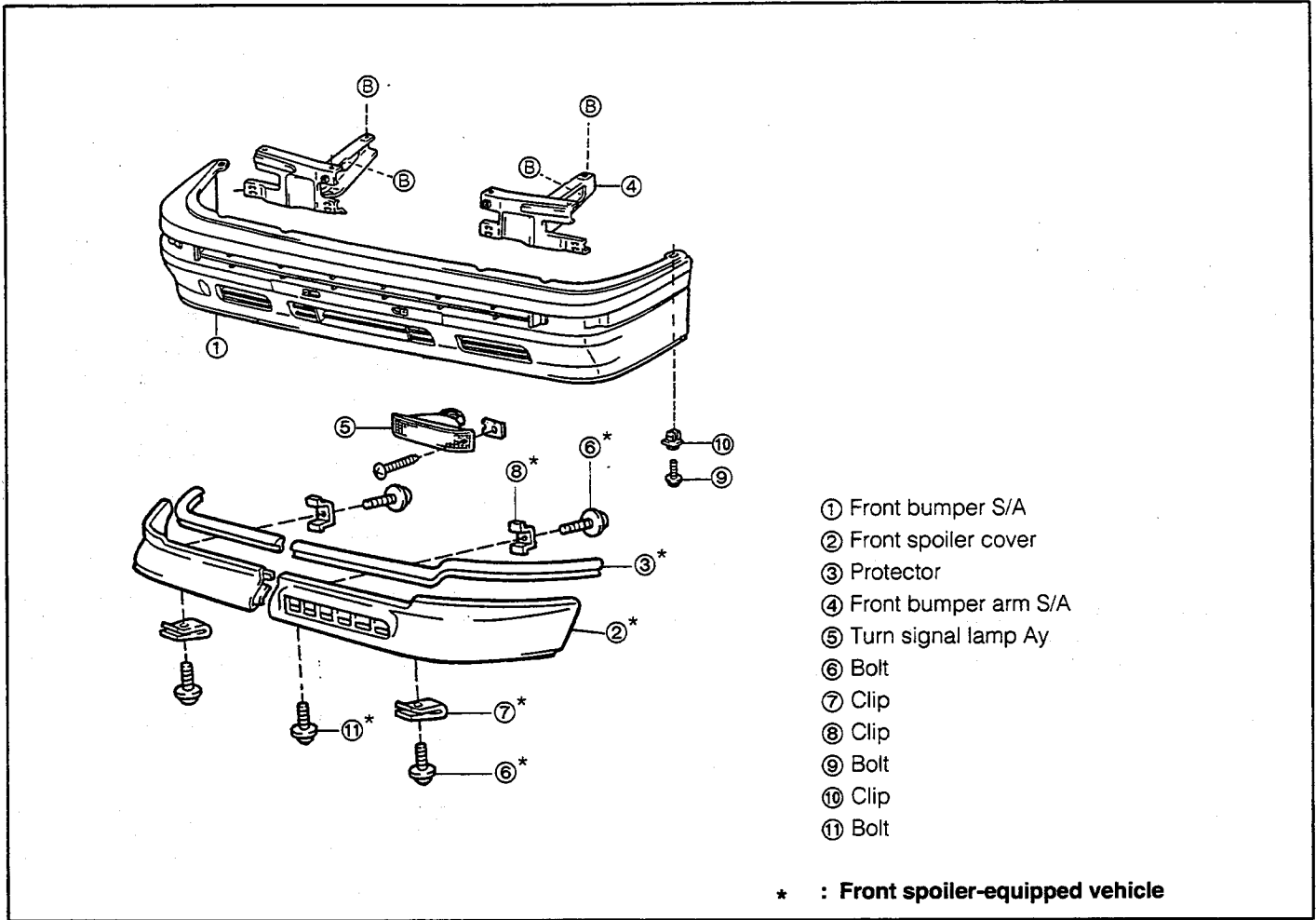


Fig. 9-23

WR-09024

REMOVAL

1. Remove the bolt attaching the front fender liner to the front bumper subassembly.
2. Remove the bolt attaching the front bumper subassembly to the front fender.

3. Remove the attaching bolts of the front bumper arm subassembly.

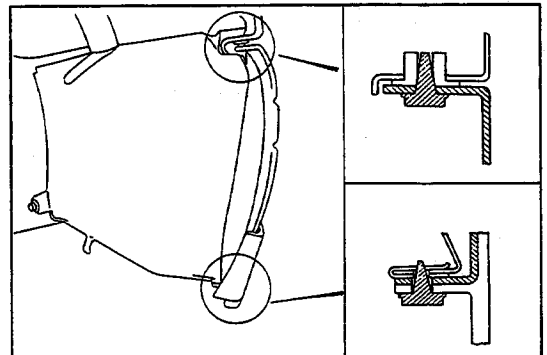


Fig. 9-24

WR-09025

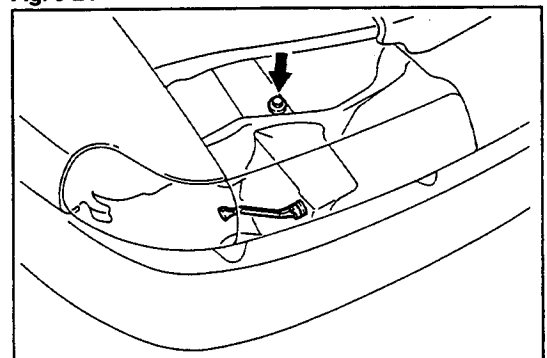


Fig. 9-25

WR-09026

BODY

4. Remove the coupler for turn signal lamp use. Remove the front bumper assembly from the vehicle:
5. Remove the turn signal lamp assembly from the front bumper subassembly.

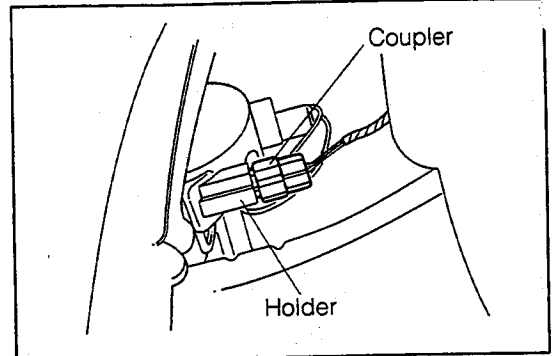


Fig. 9-26

WR-09027

6. Remove the front bumper arm subassembly from the front bumper subassembly.

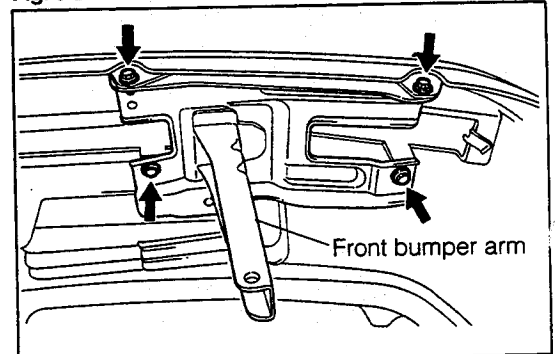


Fig. 9-27

WR-09028

7. Remove the front spoiler cover from the front bumper subassembly. (GTti grade vehicle)

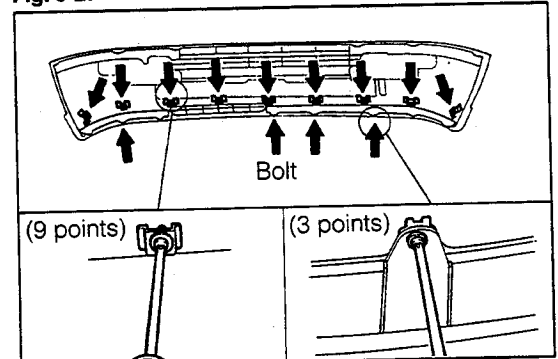


Fig. 9-28

WR-09029

INSTALLATION

1. Install the front spoiler cover to the front bumper subassembly. (GTti grade vehicle) (See Fig. 9-28.)
2. Install the front bumper arm subassembly to the front bumper subassembly. (See Fig. 9-27.)
3. Install the turn signal lamp assembly to the front bumper subassembly.
4. Connect the coupler for turn signal lamp use. Set it to the holder of the bumper.

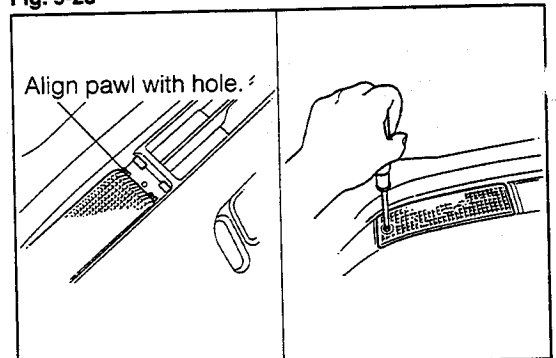


Fig. 9-29

WR-09030

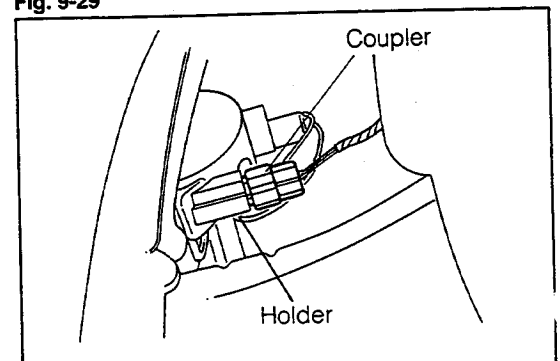


Fig. 9-30

WR-09031

5. Install the front bumper subassembly to the vehicle, as follows:
 - (1) Install the attaching bolts of the front bumper arm subassembly temporarily.

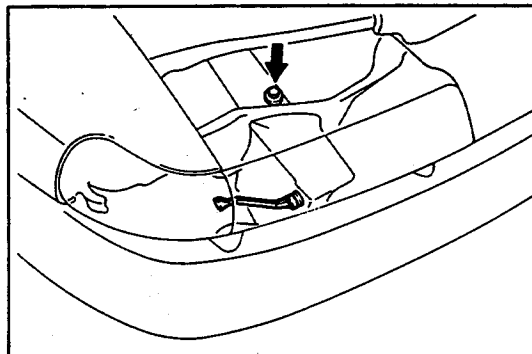


Fig. 9-31

WR-09032

- (2) Install the fender liner to the front bumper subassembly with the clip and bolt.
- (3) Install the front fender to the front bumper subassembly with the clip and bolt.
- (4) Tighten the attaching bolts of the front bumper arm subassembly.

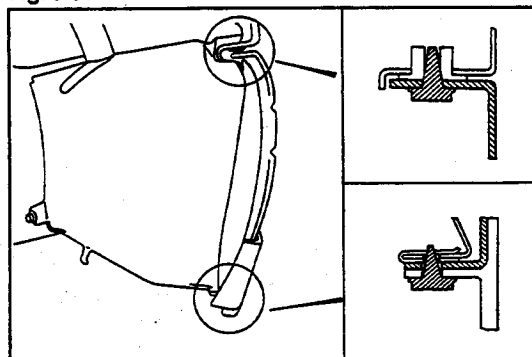


Fig. 9-32

WR-09033

BODY

REAR BUMPER COMPONENTS

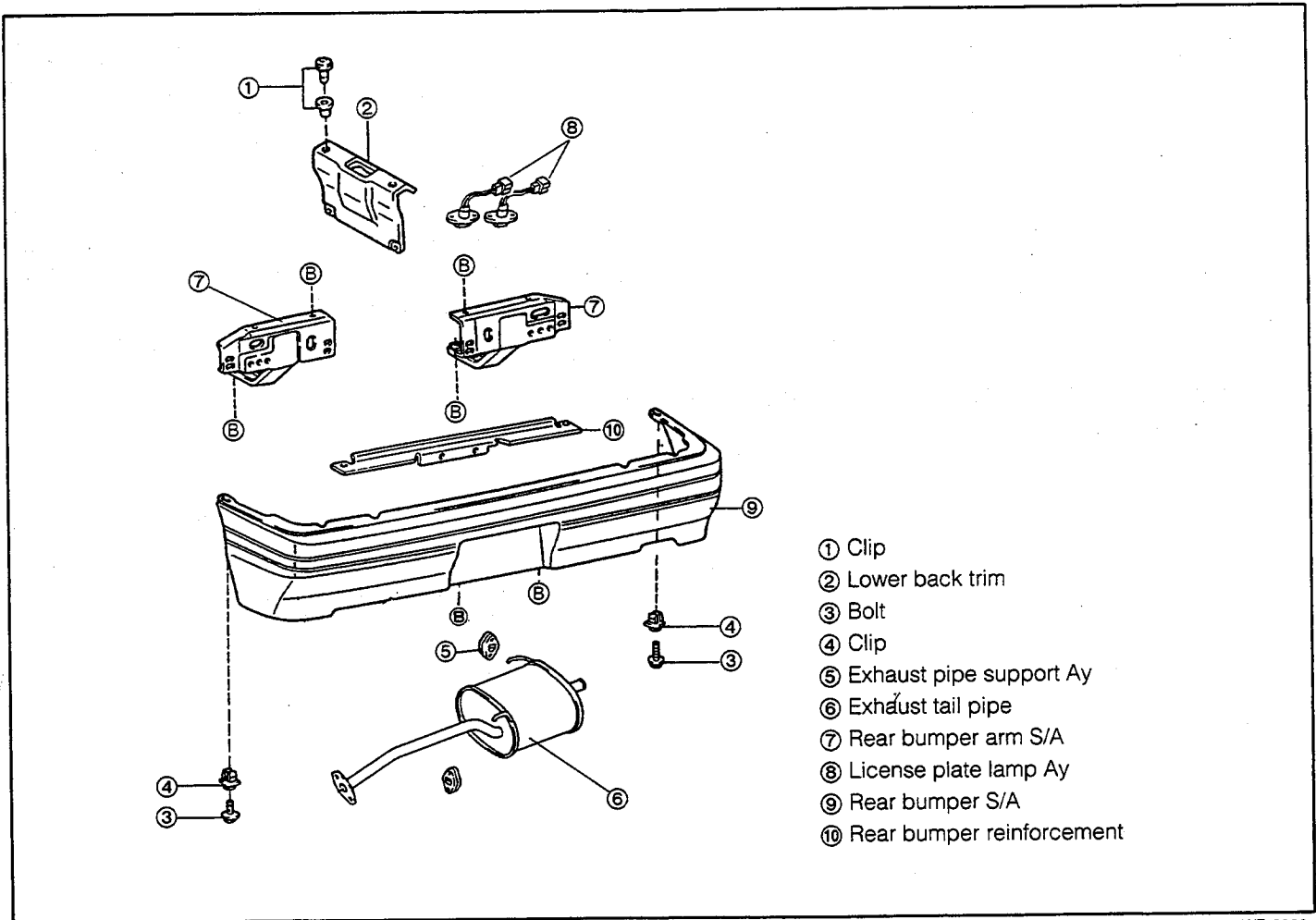


Fig. 9-33

WR-09034

REMOVAL

1. Lower Back Trim Removal

- (1) Detach the clips at four points by pushing the center section [2.5 mm (0.10 inch)] of each clip.
- (2) Remove the lower back trim.

2. Removal of Rear Bumper Subassembly

- (1) Remove the body attaching bolts located at both sides of the rear bumper subassembly.
- (2) Remove the attaching bolts at the central part of the rear bumper.
- (3) Remove the attaching bolts of the rear bumper arm subassembly.

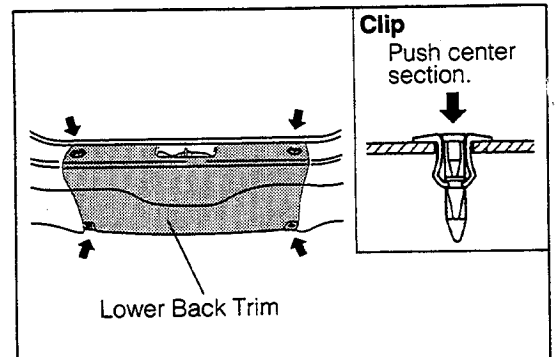
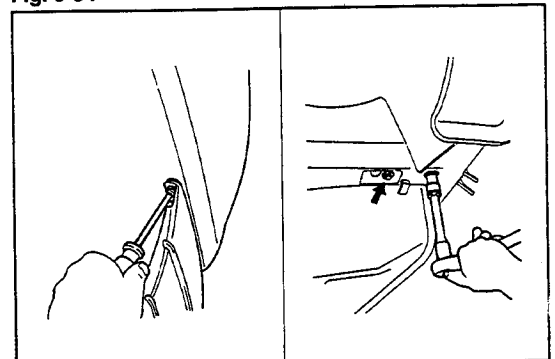


Fig. 9-34

WR-09035



WR-09036

NOTE:

Before removing the bolt at the right side, remove the exhaust pipe support assembly.

- (3) Move the rear bumper subassembly to the rear. Disconnect the couplers for license plate lamp assembly use. Detach the harness clamp.
- (4) Remove the rear bumper subassembly from the vehicle.

3. Remove the license plate lamps assembly from the rear bumper subassembly.

4. Remove the rear bumper arm subassembly from the rear bumper subassembly.

INSTALLATION

- 1. Install the rear bumper arm subassembly to the rear bumper subassembly. (See Fig. 9-39.)
- 2. Install the license plate lamps assembly to the rear bumper subassembly. (See Fig. 9-38.)
- 3. Install the rear bumper subassembly to the vehicle, as follows:
 - (1) Connect the couplers for license plate lamp use. Attach the harness clamp.

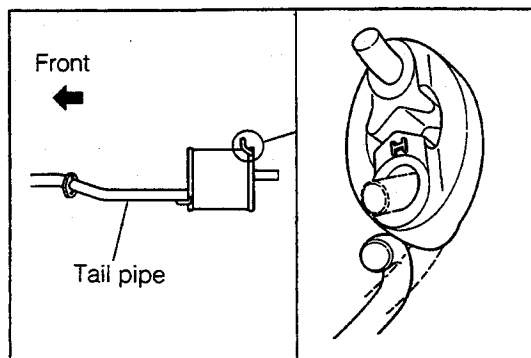


Fig. 9-36

WR-09037

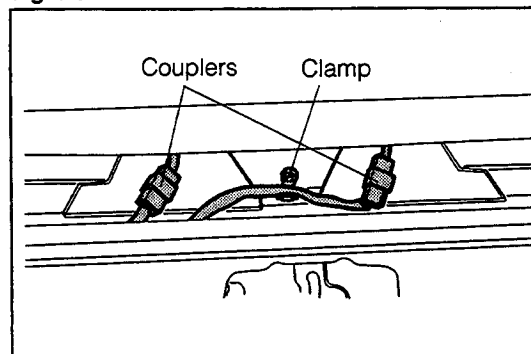


Fig. 9-37

WR-09038

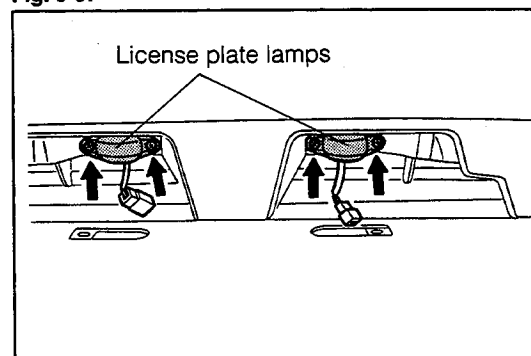


Fig. 9-38

WR-09039

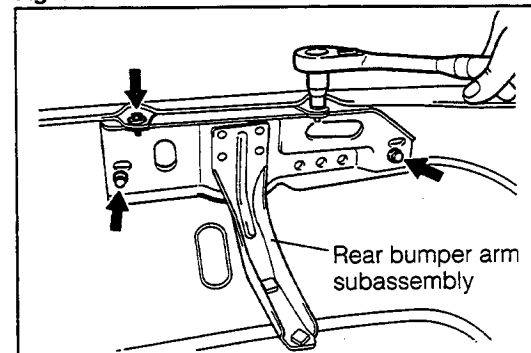


Fig. 9-39

WR-09040

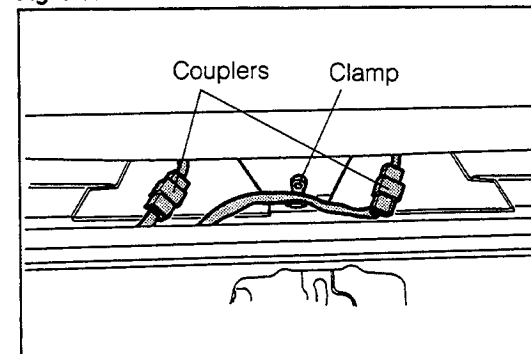


Fig. 9-40

WR-09041

BODY

- (2) Install the four attaching bolts of the rear bumper arm subassembly.
- (3) Install the rear bumper subassembly at both sides to the body with the bolts.
- (4) Install the attaching bolts at the central part of the rear bumper.
- (5) Install the exhaust pipe support.

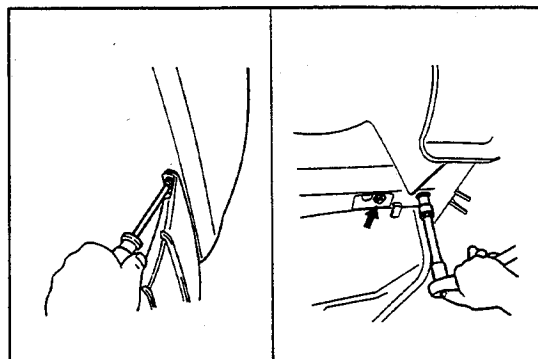
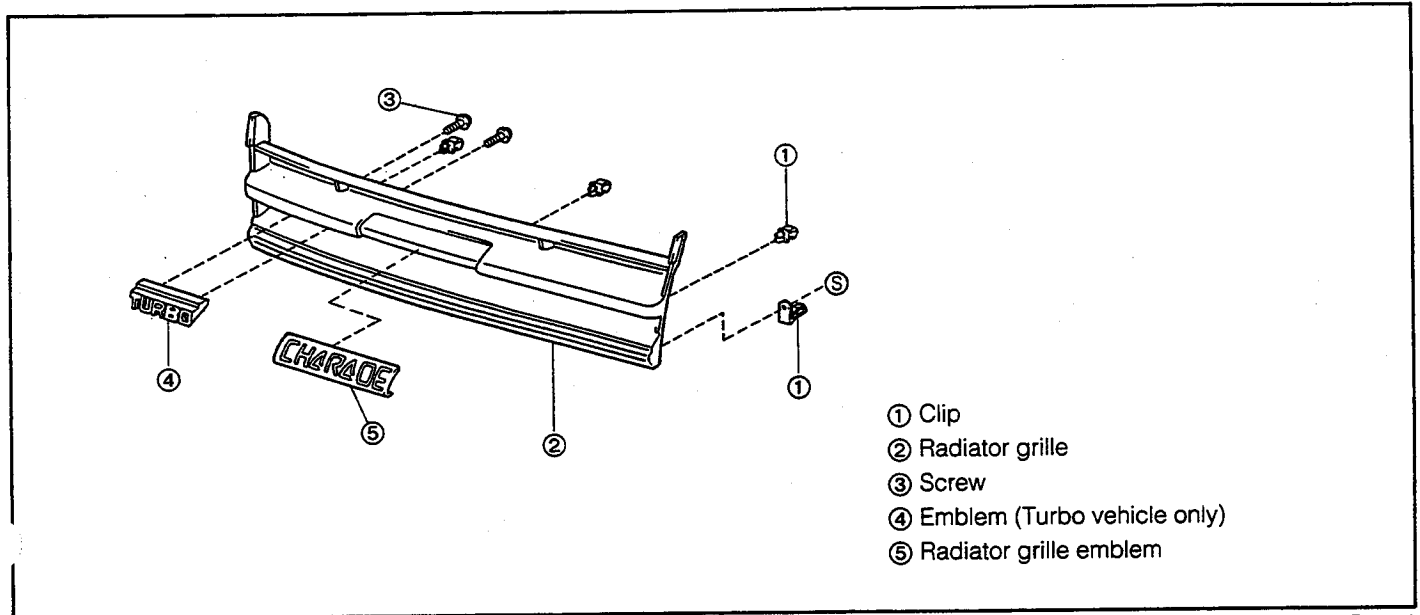


Fig. 9-41

WR-09042

RADIATOR GRILLE COMPONENTS (EXCEPT FOR GTti GRADE)



- ① Clip
- ② Radiator grille
- ③ Screw
- ④ Emblem (Turbo vehicle only)
- ⑤ Radiator grille emblem

Fig. 9-42

WR-09043

REMOVAL

1. Remove the radiator grille by detaching the clips at five points.
(Push the pawl section at the upper side of the clip, using a common screwdriver. Then, pull the radiator grille toward your side.)

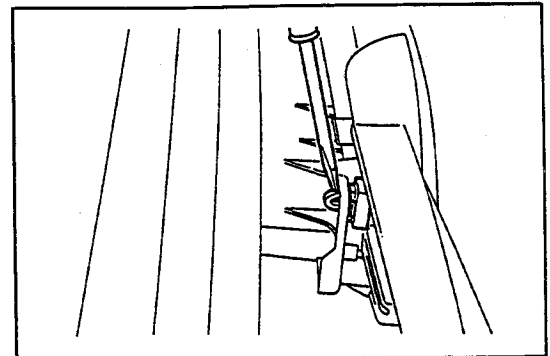


Fig. 9-43

WR-09044

2. Remove the emblem (TURBO) by loosening the two screws.

NOTE:

The radiator grille emblem is attached to the radiator grille by means of two-faced adhesive tape.

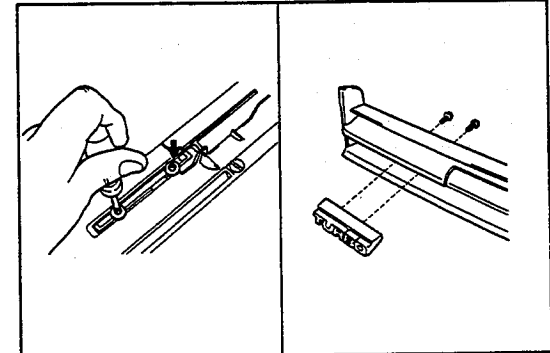


Fig. 9-44

WR-09045

INSTALLATION

1. Install the emblem (TURBO) with the two screws. (See Fig. 9-44.)
2. Radiator grille installation
 - (1) Ensure that five clips are attached to the radiator grille.
 - (2) Install the radiator grille to the vehicle.

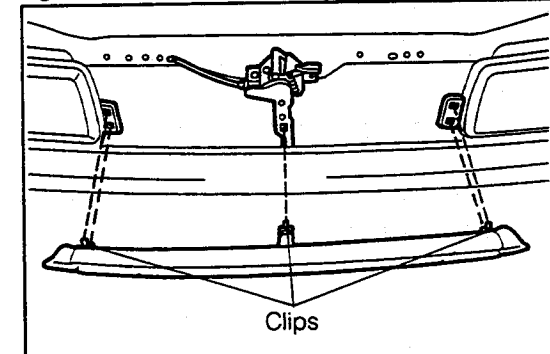
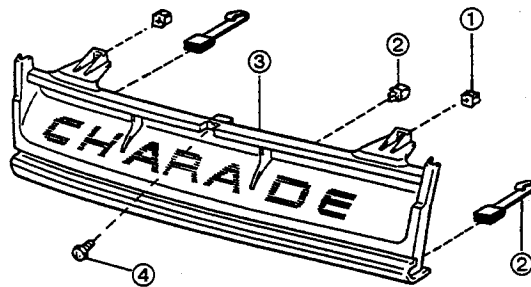


Fig. 9-45

WR-09046

BODY

COMPONENTS (GTti GRADE)



- ① Clip
- ② Clip
- ③ Radiator grille
- ④ Screw

Fig. 9-46

WR-09047

REMOVAL

1. Remove the attaching screw of the radiator grille.
2. Detach the two clips.
To detach the clip, turn the center section of the clip 90 degrees clockwise, using a cross point screwdriver.
3. Detach the three clips, using a screwdriver.
4. Remove the radiator grille.

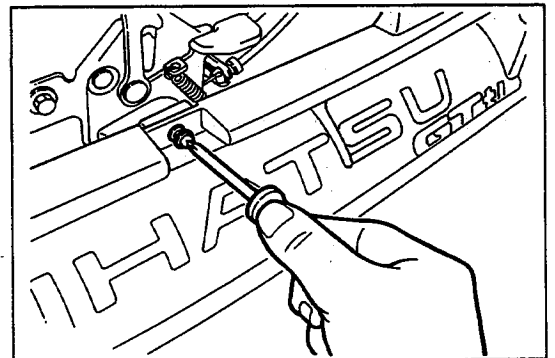


Fig. 9-47

WR-09048

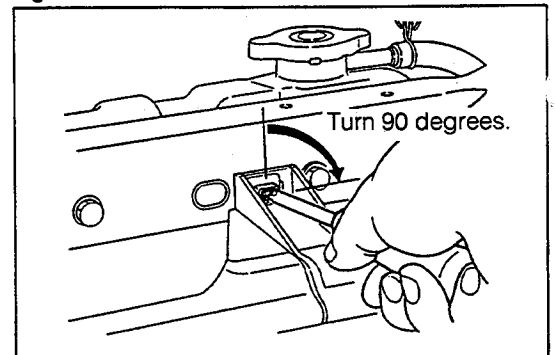


Fig. 9-48

WR-09049

INSTALLATION

1. Install the radiator grille, aligning the positions of the three clips.
2. Install the radiator grille to the vehicle. To attach the clip, turn the center section of the clip 90 degrees counter-clockwise, using a cross point screwdriver.
3. Install the screw at the center section of the radiator grille.

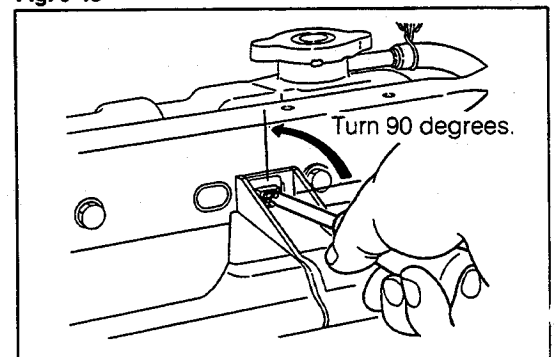
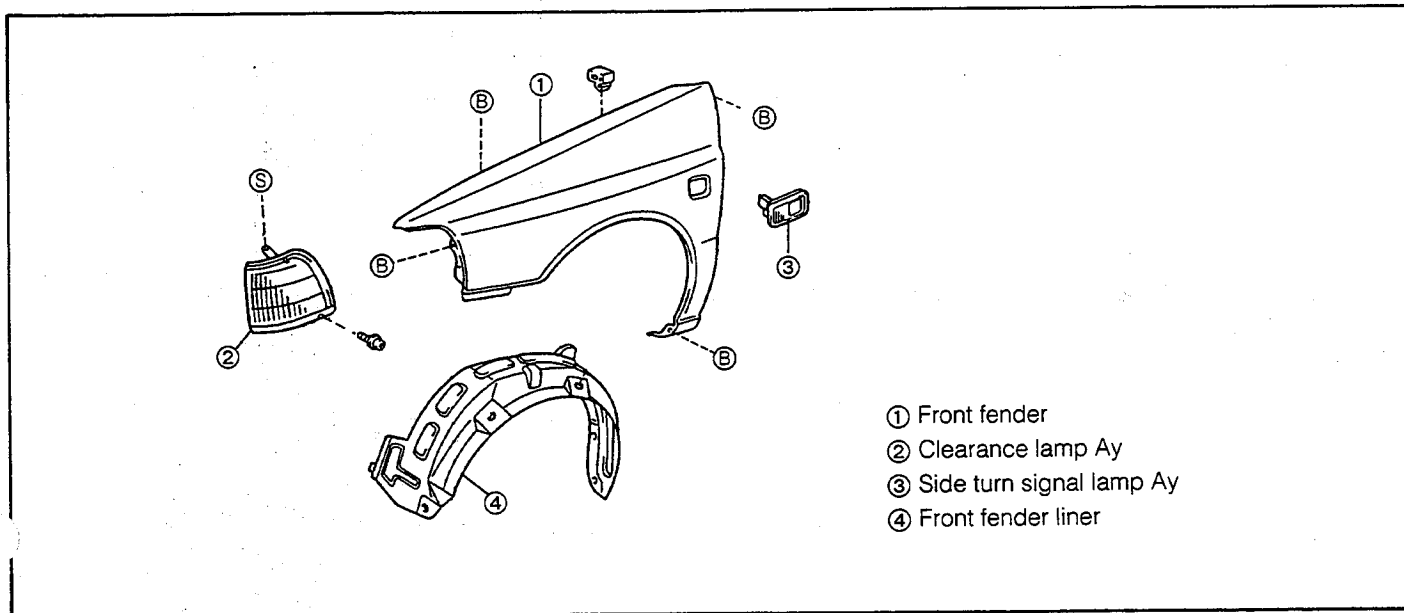


Fig. 9-49

WR-09050

FRONT FENDER COMPONENTS



- ① Front fender
- ② Clearance lamp Ay
- ③ Side turn signal lamp Ay
- ④ Front fender liner

Fig. 9-50

WR-09051

REMOVAL

1. Front fender liner

(1) Remove the three screws at the rear section of the front fender liner.

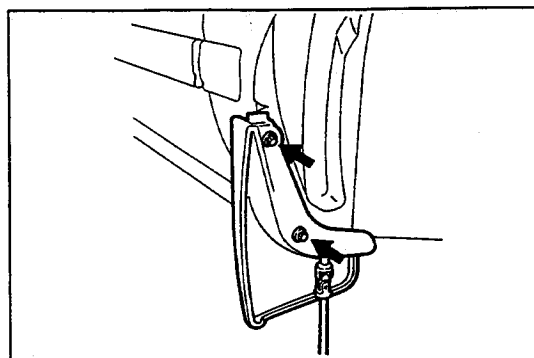


Fig. 9-51

WR-09052

(2) Cut off the hem of each screw grommet (at three points) at the rear section of the front fender liner.

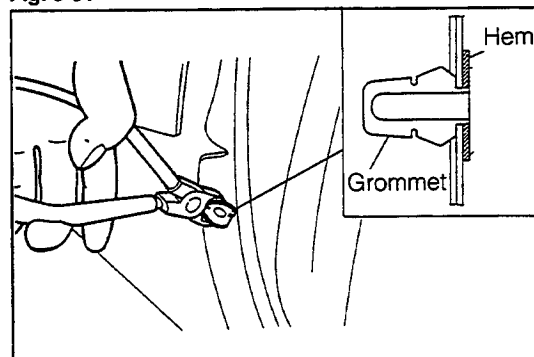


Fig. 9-52

WR-09053

(3) Remove the screws attaching the front fender liner to the body and bumper.

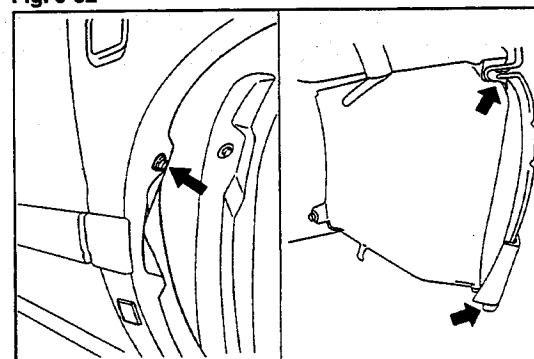


Fig. 9-53

WR-09054

BODY

- (4) Remove the front fender liner by detaching the three clips, using a cross point screwdriver.

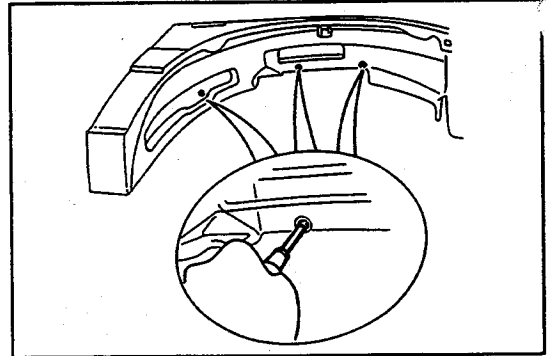


Fig. 9-54

WR-09055

2. Remove the clearance lamp assembly by removing the two screws.

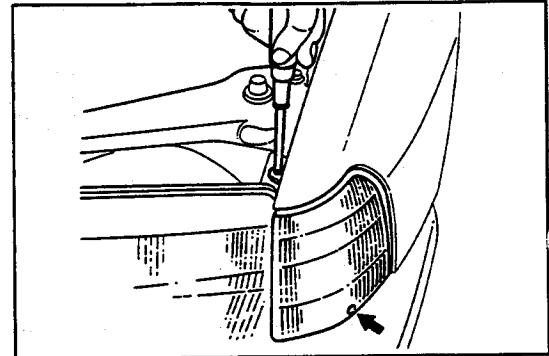


Fig. 9-55

WR-09056

3. Remove the front fender attaching bolts.

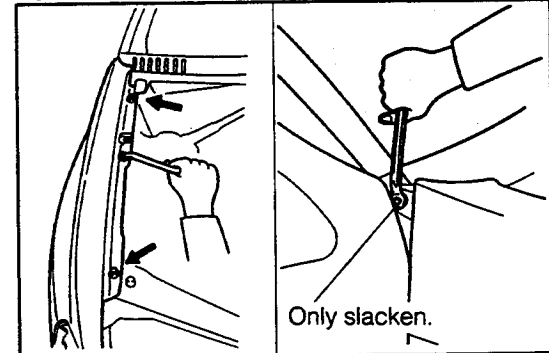


Fig. 9-56

WR-09057

4. Disconnect the coupler for side turn signal lamp use.
5. Remove the side turn signal lamp assembly from the front fender.

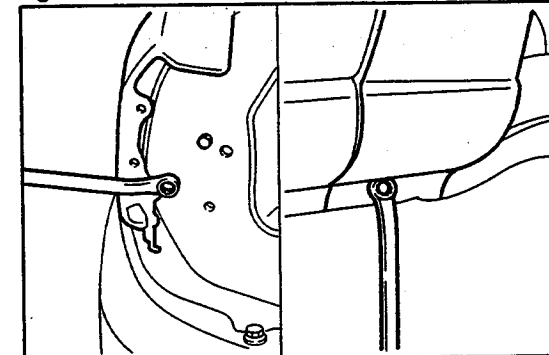


Fig. 9-57

WR-09058

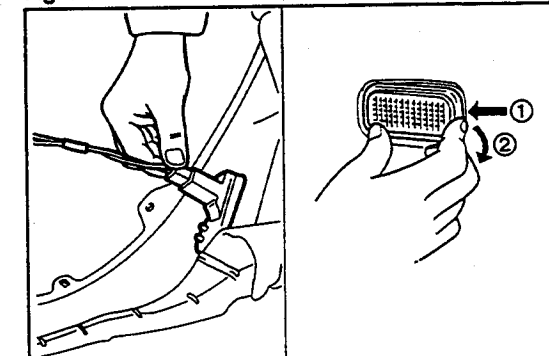


Fig. 9-58

WR-09059

INSTALLATION

1. Install the side turn signal lamp to the front fender.
2. Connect the coupler for side turn signal lamp use.

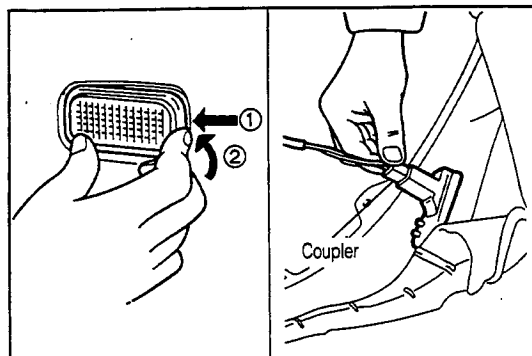


Fig. 9-59

WR-09060

3. Install the front fender.

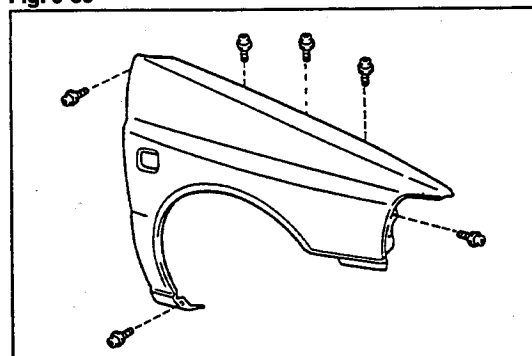


Fig. 9-60

WR-09061

4. Front fender liner installation
 - (1) Attach the clips at three points, using a cross point screwdriver.
 - (2) Attach the screw at one point, using a cross point screwdriver.

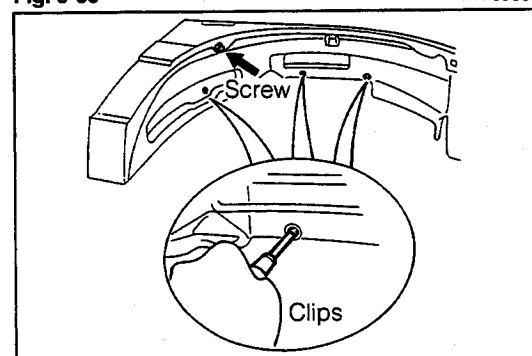


Fig. 9-61

WR-09062

- (3) Attach the three grommets at the rear section of the front fender liner. Install them with the three screws.

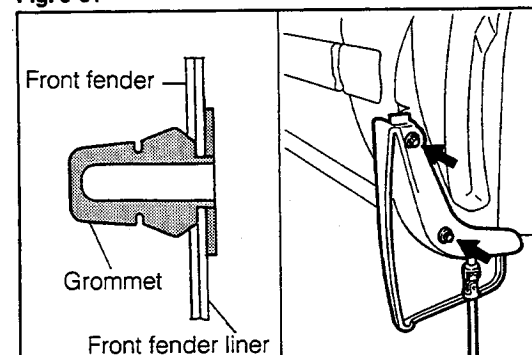


Fig. 9-62

WR-09063

- (4) Install the screws attaching the front fender liner to the body and bumper.

5. Install the clearance lamp with the two screws.
(See Fig. 9-55.)

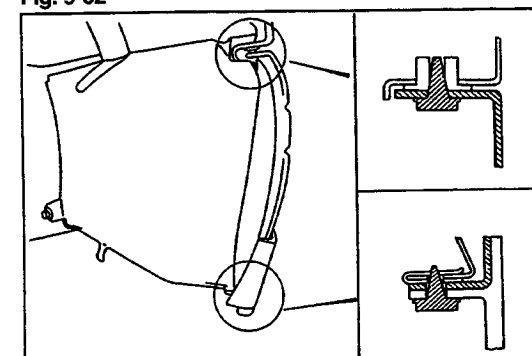


Fig. 9-63

WR-09064

BODY

HOOD LOCK CONTROL CABLE COMPONENTS

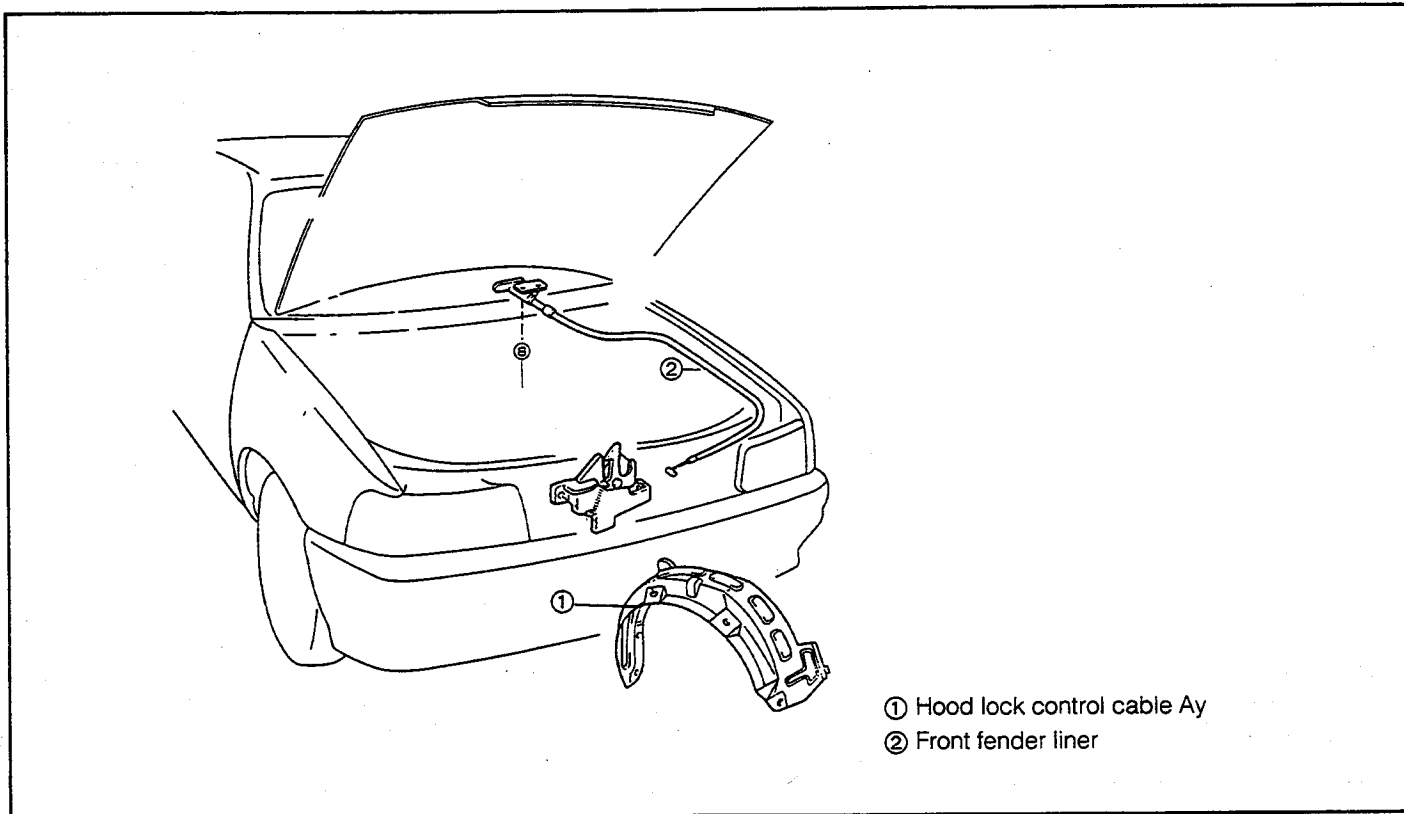


Fig. 9-64

WR-09065

REMOVAL

1. Remove the front fender liner. (See page 9-17.)
2. Hood lock control cable assembly
 - (1) Remove the cable at the hood lock side.

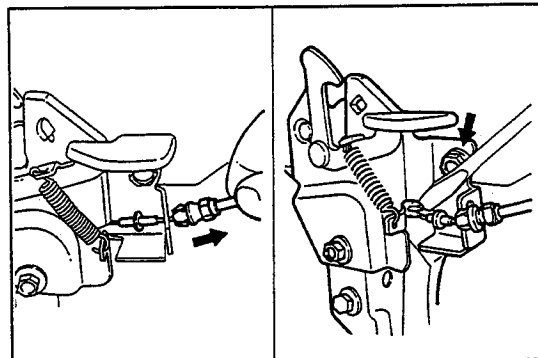


Fig. 9-65

WR-09066

- (2) Remove the hood lock control cable at the interior side.

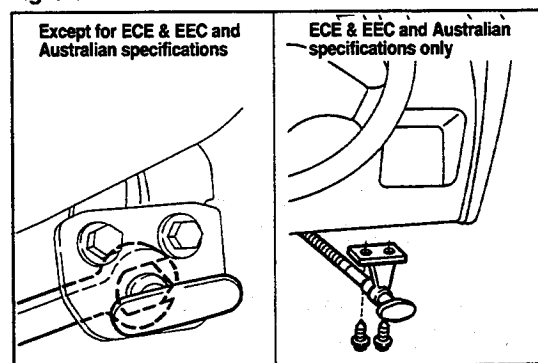


Fig. 9-66

WR-09067

INSTALLATION

Install the hood lock control cable assembly, as indicated in the figure below.

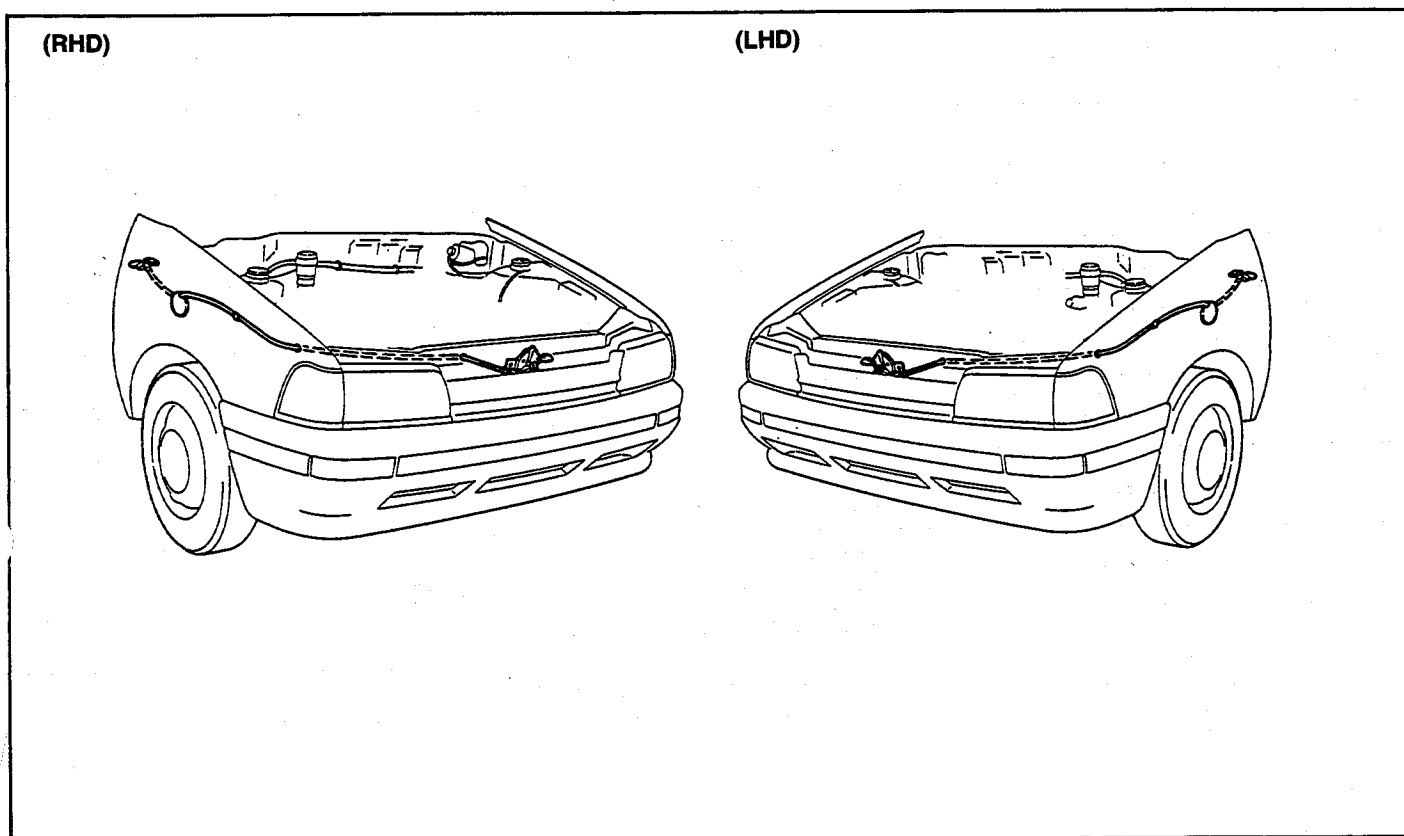


Fig. 9-67

WR-09068

BODY

WINDOWS

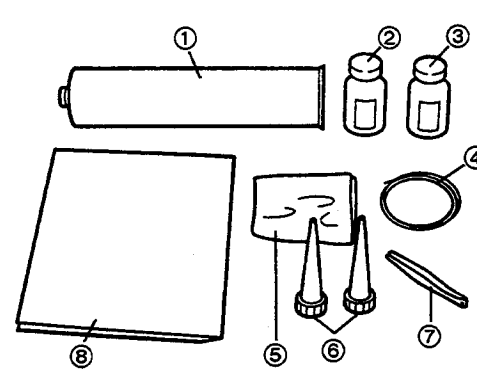
FRONT WINDSHIELD

ARTICLES TO BE PREPARED

Part nomenclature and item	Use
* Seal set 999-1114-9603-000 (Yokohama Rubber, Co., Ltd.)	For use in installing glass
Non-drying window sealer	For use in filling glass adhesive agent
Wooden piece, etc.	For use in retaining piano wire during glass removal
Sealant gun	For use in applying adhesive agent
Sucking rubber disc	For use in holding glass during glass installation
Solvent (Alcohol or white gasoline)	For use in cleaning adhesion surface
Eyeteeter	For use in making hole at adhesion layer through which piano wire is passed
Cutter knife	For use in removing (cutting) molding For use in cutting adhesion layer surface and in cleaning glass
Spatula	For use in correcting surface after application of adhesive agent
Tape (Cloth tape)	Prevention of damage to paint surface

WR-09069

* Contents of Seal Set

Item	Quantity	Shape
① Adhesive agent (WS100) (300 cc)	1	
② Primer G for glass (20 g)	1	
③ Primer M for body (20 g)	1	
④ Piano wire ($\phi 0.6 \times 1$ m)	1	
⑤ Gauze for primer application	4	
⑥ Nozzle	2	
⑦ Pin set	1	
⑧ Instruction manual	1	

WR-09070

* Handling Instructions on Seal Set

1. Store the seal set in a dark, cool place. (Be sure to use the seal set before the guarantee date indicated on the box expires.)
2. The adhesive agent and primer will begin curing when they are mixed with or brought into contact with water. Hence, be sure to store them under a sealed condition.
3. Once the adhesive agent and primer are opened, they can not be used again in the future by storing them.
4. If the seal set has been stored at a low temperature, previous to use, be sure to recover the working temperature of the materials.
5. The primer contains a flammable solvent. Hence, keep it away from the fire.

WR-09071

COMPONENTS

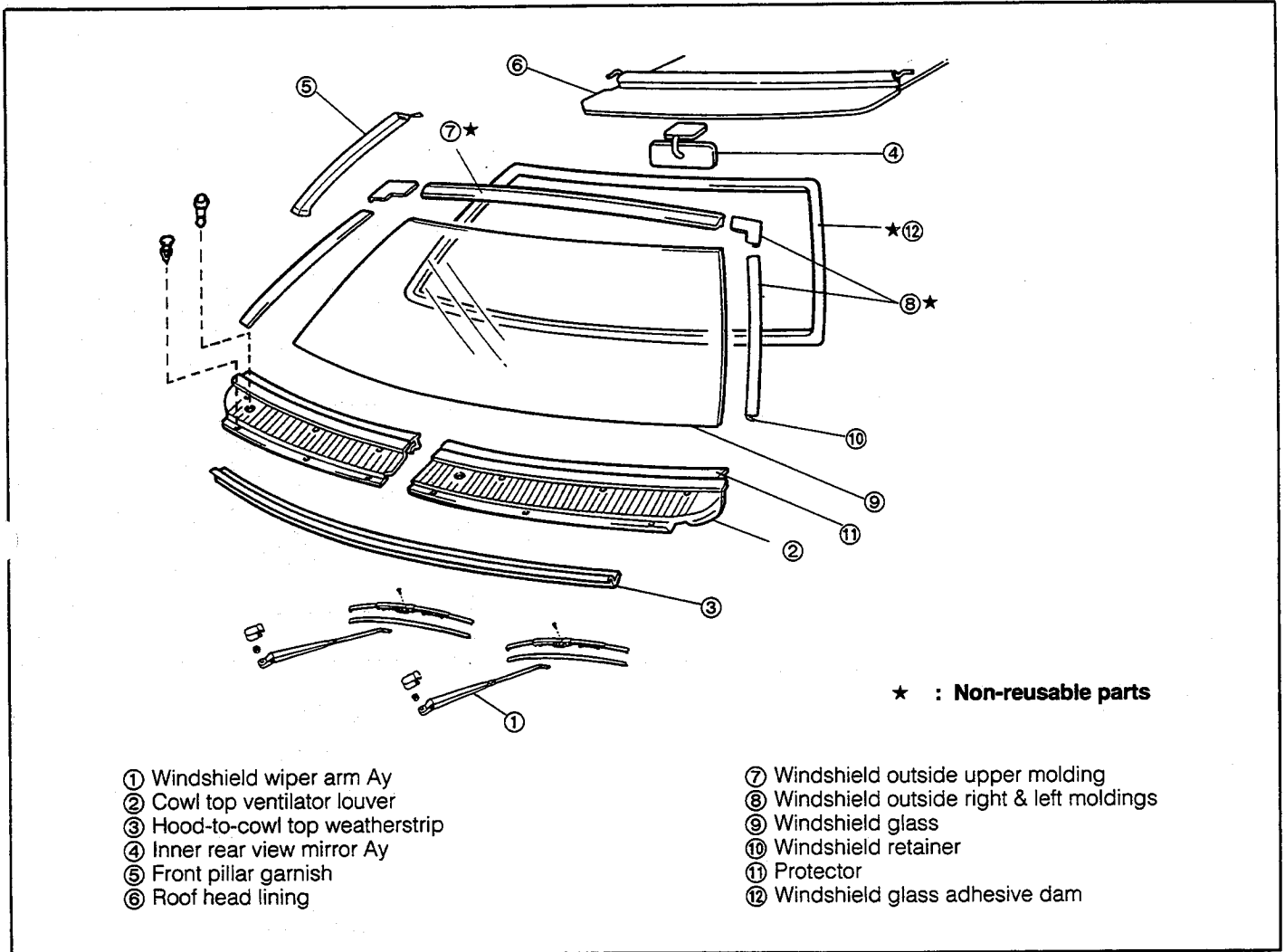


Fig. 9-68

WR-09072

REMOVAL

1. Affix the protective tape to the body.

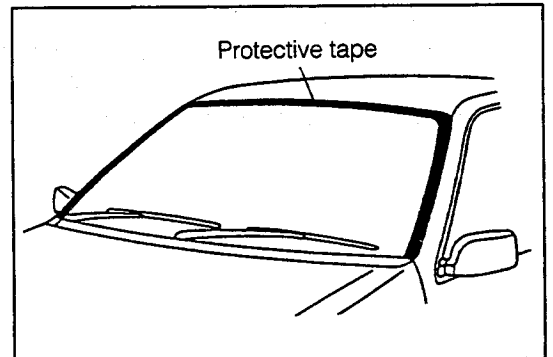


Fig. 9-69

WR-09073

2. Removal of windshield wiper arm assembly
 (1) Remove the front wiper arm cover.
 (2) Remove the windshield wiper arm assembly by removing the attaching nut of the front wiper arm assembly.

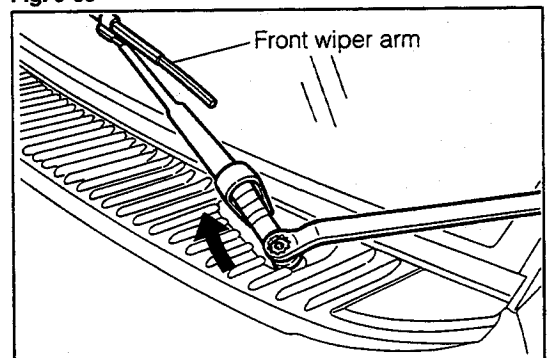


Fig. 9-70

WR-09074

BODY

- Detach the clip. Remove the cowl top ventilator louver and the hood-to-cowl top weatherstrip.

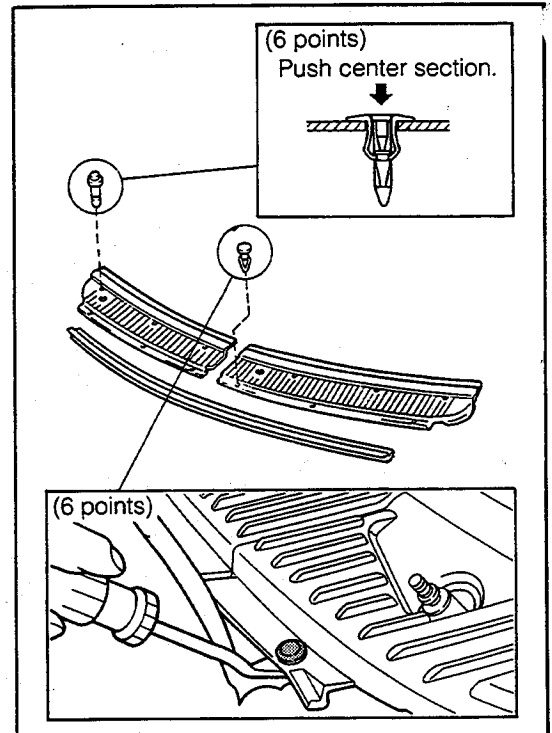


Fig. 9-71

WR-09075

- Remove the inner rear-view mirror assembly by removing the cover and three screws.

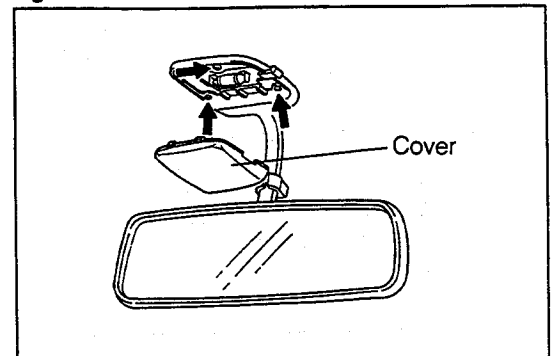


Fig. 9-72

WR-09076

- Removal of front pillar garnish
 - Disengage the clip by prying its fitting position, using a screwdriver wrapped with a protective tape.
 - Remove the front pillar garnish by pulling it up.

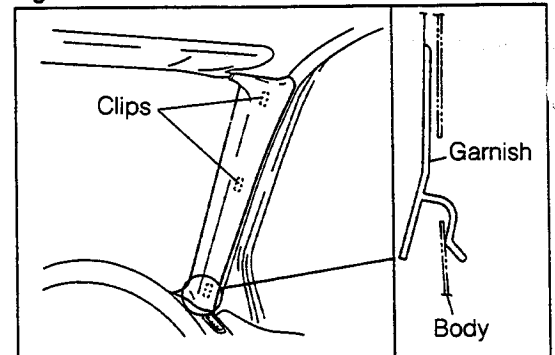


Fig. 9-73

WR-09077

- Remove the windshield outside upper, right and left moldings.
Remove the molding by cutting off the leg section of the molding, using a cutter knife.

NOTE:

Be very careful not to scratch the paint finish surface of the body.

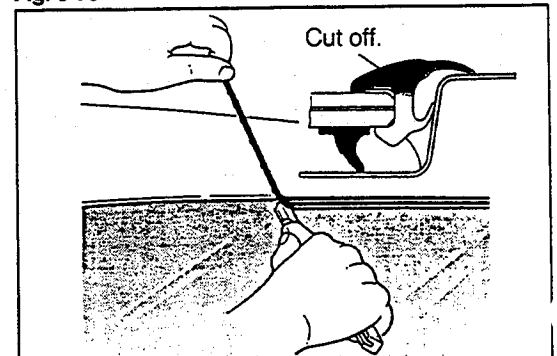


Fig. 9-74

WR-09078

7. Windshield glass removal

- (1) Pass a piano wire through the adhesion layer from the interior. Tie each end of the piano wire to a wooden piece or the like.

NOTE:

When passing the piano wire through the adhesion layer, care must be exercised not to scratch the interior or exterior appointment trim.

- (2) Separate the adhesion layer by pulling each end of the piano wire alternately.

NOTE:

- Cut the adhesion layer at the glass side whenever possible.
- Care must be exercised not to scratch the interior or exterior appointment trim during the cutting.

- (3) When glass at lower side is separated:

Apply a plastic protective plate, such as B4-sized board for stationery use, on the instrument panel section where the piano wire may contact during the operation.

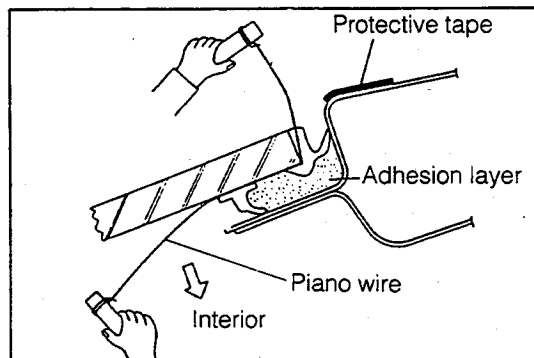


Fig. 9-75

WR-09079

CHECK AND CLEANING

1. Cleaning of Adhesion Surface of Body

- (1) Smooth any irregularities on the adhesion surface of the body, using a knife or the like. Clean the body surface and adhesion surface with white gasoline.

NOTE:

Do not remove the adhesion layer to such an extent that the body may be exposed. After the adhesion layer has been removed, allow the adhesion surface to dry.

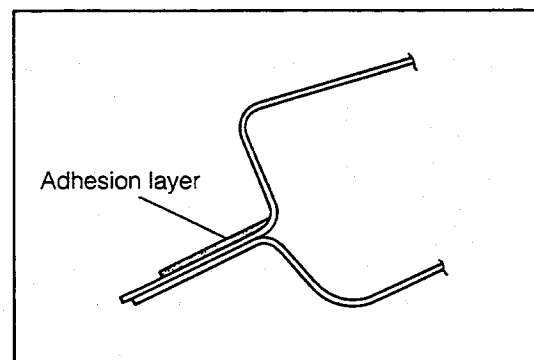


Fig. 9-76

WR-09080

2. Cleaning of Glass Surface

- (1) If the glass is reused, scrape away thoroughly any adhesive agent or dirt which may have collected on the glass. Then, clean the adhesion surface with white gasoline.

NOTE:

As for the laminated glass, there is a possibility that white gasoline may penetrate into the glass from the edges, affecting the intermediate film. Hence, do not use white gasoline excessively during the cleaning.

- (2) When a new glass is used, clean the glass margin 20 - 30 mm (0.79 - 1.18 inches) from the glass edge with white gasoline.

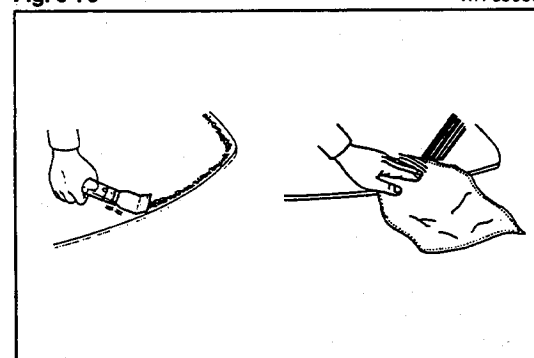


Fig. 9-77

WR-09081

BODY

INSTALLATION

1. Windshield retainer installation
2. Window glass adhesive dam installation
 - (1) Affix the dam at the position 8 mm (0.31 inch) from the glass edge.
 - (2) Make cut-out sections at two or three points on the corner, using a cutter knife.

NOTE:

When affixing the dam, do not touch the cleaned surface by your hand.

3. Primer application
 - (1) Apply the primer M for paint surface use to the roof pillar section and cowl section, using a clean brush or gauze.
 - (2) Allow these sections to dry at least five minutes after the application.
 - (3) Apply the primer G for glass surface use to the glass adhesion surface and glass side surface, using a sponge or gauze.

- (4) After completion of the primer application, install the glass within the time given below.

Specified Time

Primer G: Within 70 Minutes

Primer M: Within 120 Minutes

NOTE:

1. The primer application strengthens the adhesive force. Hence, make sure that the primer is applied without any skipped portion. Also, it should be noted that the adhesive force drops if the primer is applied too thickly.
2. The primer once opened should not be reused.

4. Windshield glass installation

- (1) Application of adhesive agent

- Cut the discharge port of the adhesive agent cartridge to the following dimension given in the table below.

Unit: mm (inch)

Presence/nonpresence of adhesion layer at body side	Height of adhesive agent	Discharge port of cartridge
When layer is removed:	8 - 10 (0.31 - 0.39)	10 (0.39)
When layer is not removed:	3.5 - 5 (0.14 - 0.20)	5 (0.20)

- Using a sealant gun or air gun, apply a bead of adhesive agent over the entire periphery of the glass adhesion surface along the dam.

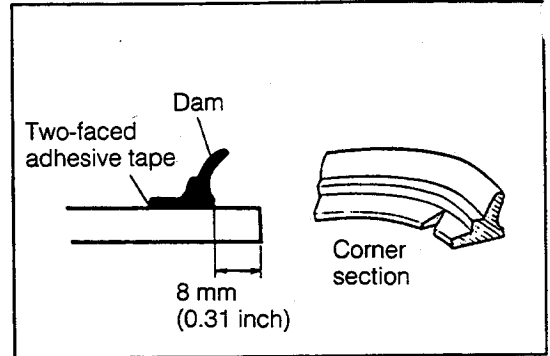


Fig. 9-78

WR-09082

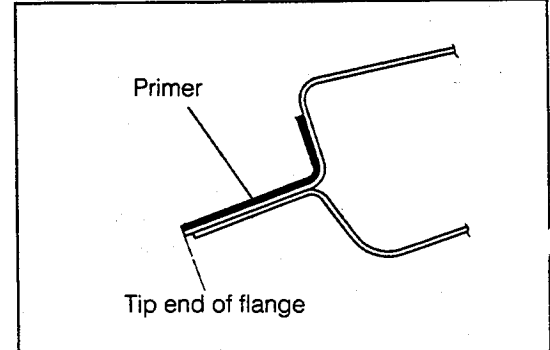


Fig. 9-79

WR-09083

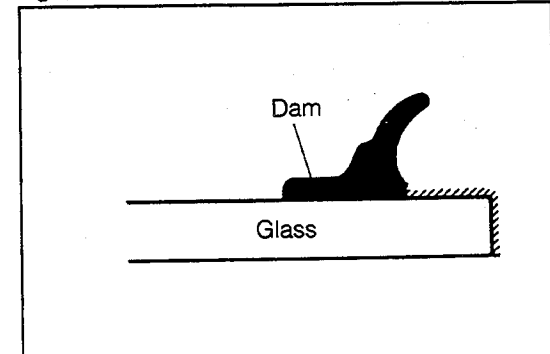


Fig. 9-80

WR-09084

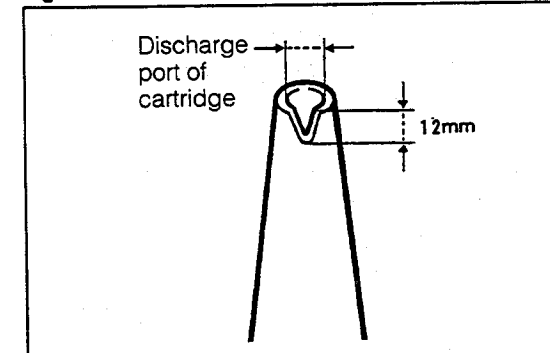


Fig. 9-81

WR-09085

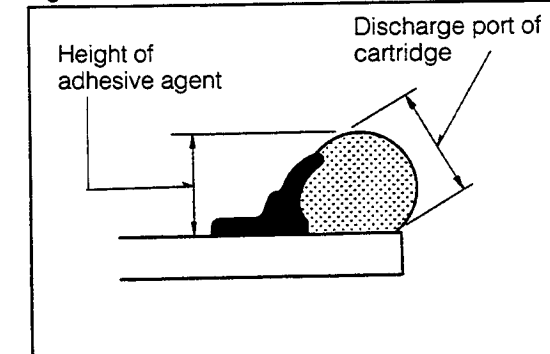


Fig. 9-82

WR-09086

(2) Glass installation

While aligning the mating marks of the glass with the windshield retainers, install the glass on the retainers, using a sucking disc or the like.

Press the glass against the opening flange thoroughly, while pushing the entire surface of the glass lightly.

(3) Using a spatula, remove any excessive adhesive agent or add the adhesive agent where it is lacking.

NOTE:

Be sure to thoroughly apply the adhesive agent up to the glass edge.

5. Installation of windshield outside moldings

Attach the side moldings (RH & LH) to the upper molding. Then, install them in place.

NOTE:

Remove any excessive adhesive agent on the paint finish surface with white gasoline.

6. Water leakage check and repairs

Perform the water leakage check about one hour after the glass installation. If the water leakage exists, dry the leaky point. Then, repair the leaky point with the adhesive agent or non-drying window sealer.

7. Install the roof headlining.

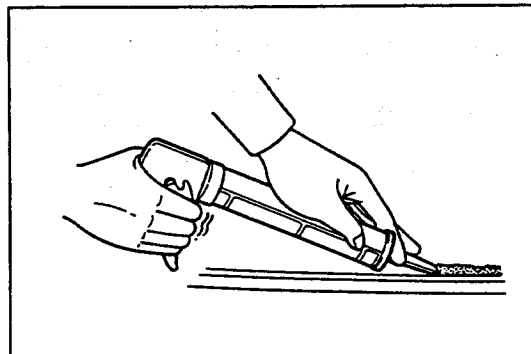


Fig. 9-83

WR-09087

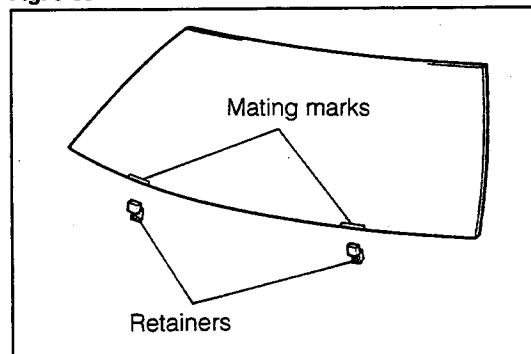


Fig. 9-84

WR-09088

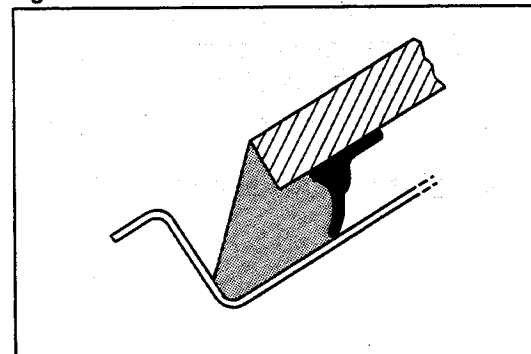


Fig. 9-85

WR-09089

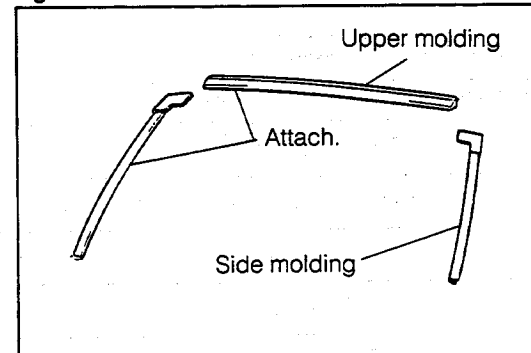


Fig. 9-86

WR-09090

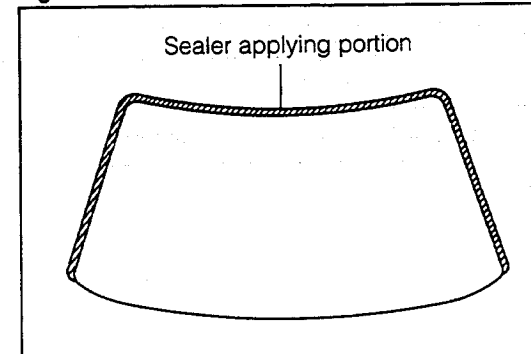


Fig. 9-87

WR-09091

BODY

8. Install the front pillar garnish.
9. Install the inner rear-view mirror assembly. (See Fig. 9-72.)
10. Install the cowl top ventilator louver and hood-to-cowl top weatherstrip.

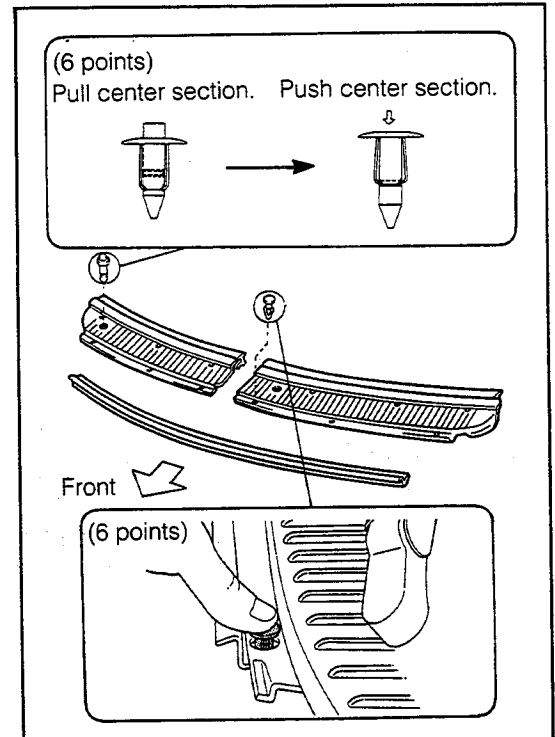


Fig. 9-88

WR-09092

11. Installation of windshield wiper arm assembly
 - (1) Operate the wiper motor, until it assumes the automatic stopping position.
 - (2) Set the wiper arms at the positions indicated in the right figure.
 - (3) Tighten the nut and attach the front wiper arm cover.

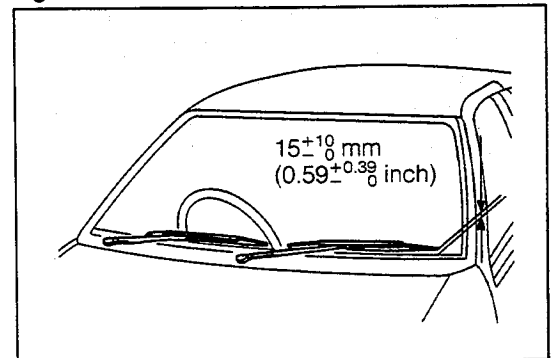


Fig. 9-89

WR-09093

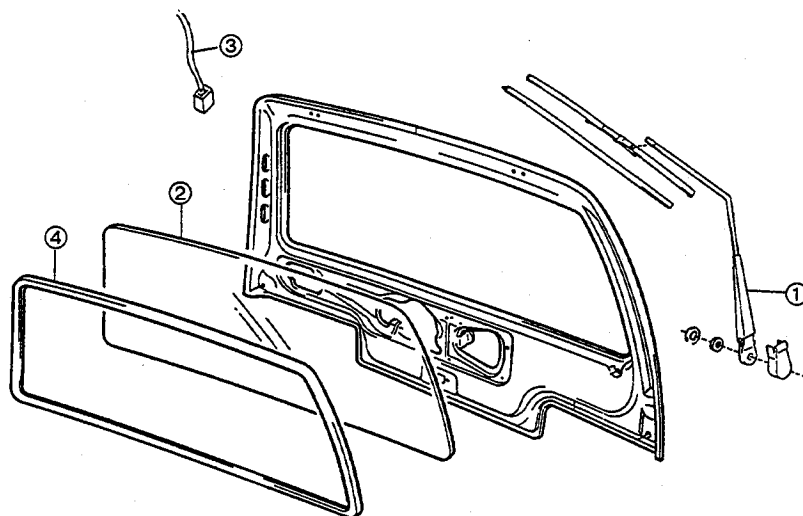
BACK DOOR GLASS

ARTICLES TO BE PREPARED

Part nomenclature	Use
Non-drying window sealer	For use in filling after glass installation or in repairing water leakage
Tape	Prevention of damage to paint finish surface
Brush	For use in applying soap water
Cutter or knife	For use in cutting molding
Operation rope (approx. 3 - 4 mm dia.)	For use in installing glass
Soap water	For use in installing glass
Solvent (Alcohol, white gasoline)	For use in cleaning adhesion surface

WR-09094

COMPONENTS



- ① Rear wiper arm Ay
- ② Coupler (for defogger use)
- ③ Back door glass
- ④ Back door glass weatherstrip

Fig. 9-90

WR-09095

REMOVAL

- (1) Remove the rear wiper arm assembly. [Rear wiper-equipped vehicle only. (See Fig. 9-166.)]
- (2) Remove the coupler for defogger use. [Defogger-equipped vehicle only.]
- (3) Remove the rear spoiler. [Rear spoiler-equipped vehicle only. (See page 9-36.)]
- (4) Back door glass
Push the lip section of the weatherstrip outward from the body flange, using a common screwdriver or a bamboo spatula. This operation is performed from the vehicle interior.

NOTE:

Be very careful not to scratch the body paint finish surface.

- (5) Remove the back door weatherstrip from the back door glass.

INSPECTION AND CLEANING

Clean the adhesion sections of the glass and body, using a solvent such as alcohol or white gasoline.

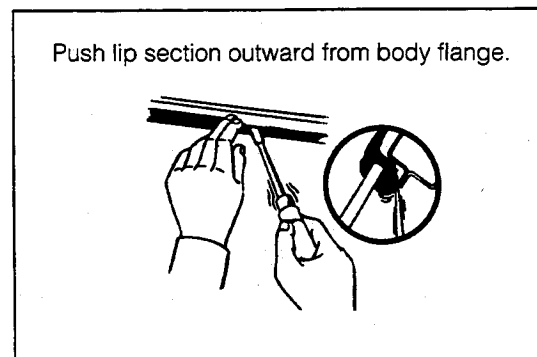


Fig. 9-91

WR-09096

WR-09097

BODY

INSTALLATION

1. Install the back door glass weatherstrip to the back door glass.
2. Install the back door glass, as follows:
 - (1) Set an operation rope to the weatherstrip.

NOTE:

Never reuse any weatherstrip which exhibits deterioration. Failure to observe this instruction will cause water leakage.

- (2) Soap water application
Apply soap water to the body flange contact sections of the weatherstrip. Also, apply soap water to the body flange.
- (3) Install the back door glass to the body.

- (4) Hold the one end of the rope that is suspending in the vehicle interior. Pull the rope in such an angle that allows the weatherstrip to cross over the flange. While so doing, pound the surface of the glass at points adjacent to the weatherstrip using one's palm from the vehicle exterior in order that the windshield may be installed into position.
- (5) Pound the surface of the glass using one's palm from the vehicle exterior so that the windshield may be settled in place.
- (6) Application of non-drying window sealer
Working from the outside, apply the non-drying window sealer between the weatherstrip and the glass as well as between the weatherstrip and the body.

NOTE:

Remove any excessive sealer.

- (7) Water leakage check
If water leakage exists, dry the leaky point thoroughly. Then, fill the leaky point with the non-drying sealer.
3. Connect the coupler for defogger use. [Defogger-equipped vehicle only]
 4. Installation of rear wiper arm assembly [Rear wiper-equipped vehicle only]
 - (1) Operate the wiper motor, until it assumes the automatic stopping position.
 - (2) Install the rear wiper arm, aligning the arm with the bottom line of the defogger pattern.
Installation position:
Bottom line of pattern ± 5 mm (± 0.2 inch)
 - (3) Install the wiper link cap.
 5. Install the rear spoiler. [Rear spoiler-equipped vehicle only. (See page 9-37.)]

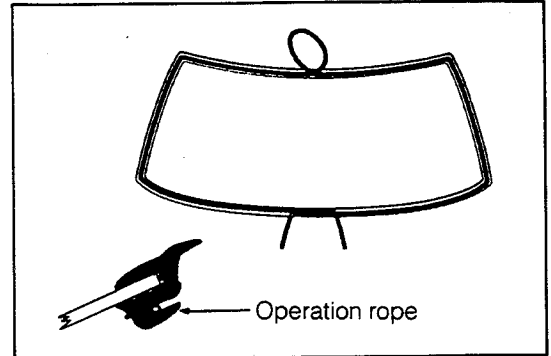


Fig. 9-92

WR-09098

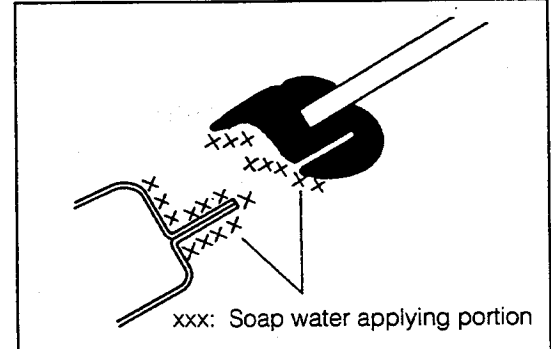


Fig. 9-93

WR-09099

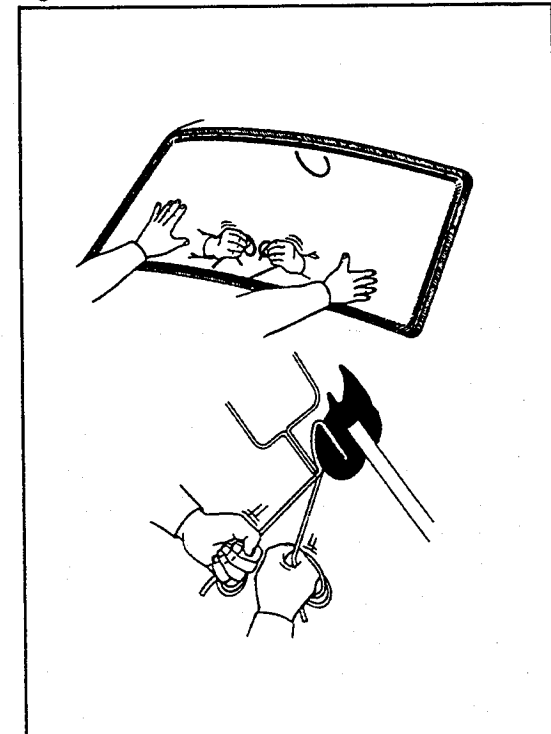


Fig. 9-94

WR-09100

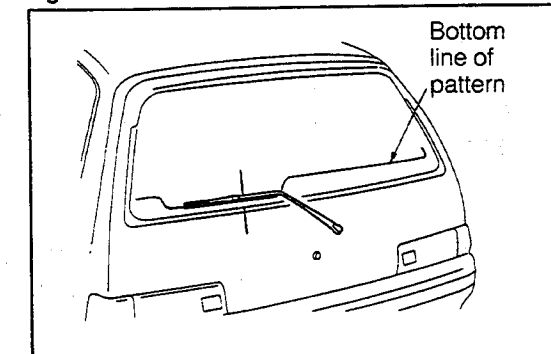
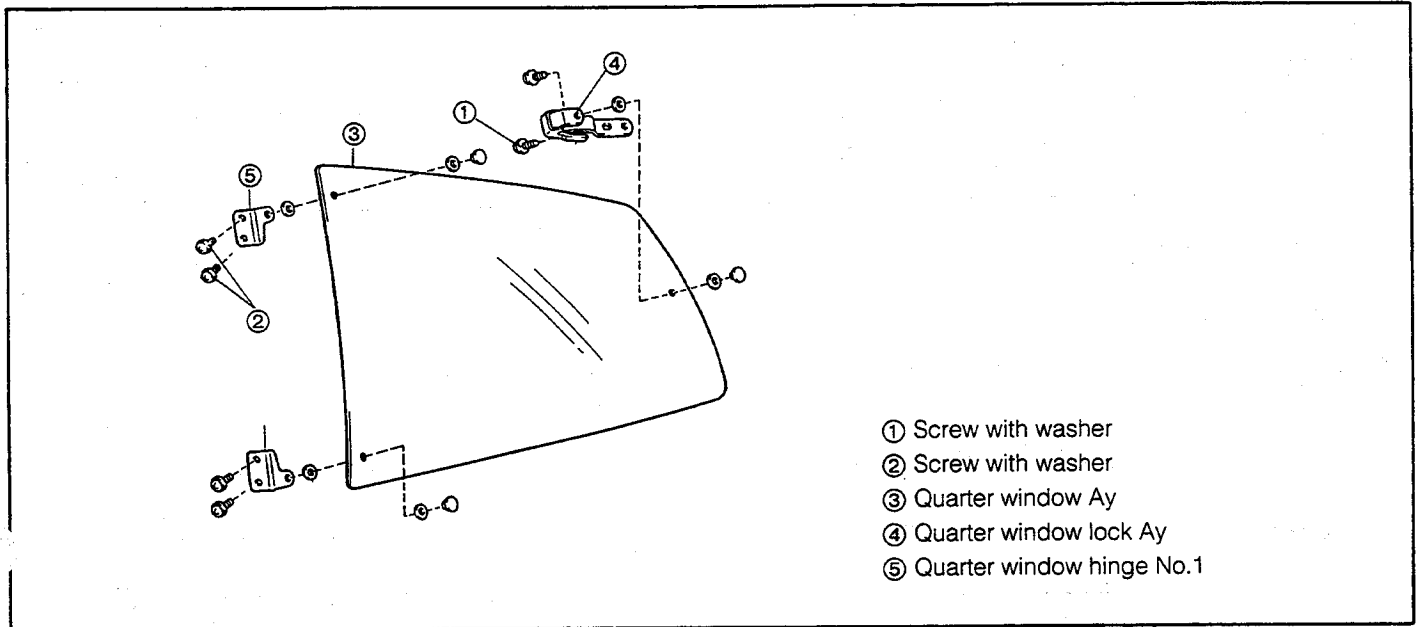


Fig. 9-95

WR-09101

QUARTER WINDOW GLASS COMPONENTS



- ① Screw with washer
- ② Screw with washer
- ③ Quarter window Ay
- ④ Quarter window lock Ay
- ⑤ Quarter window hinge No.1

Fig. 9-96

WR-09102

REMOVAL

1. Removal of quarter window assembly
 - (1) Remove the screws attaching the quarter window lock to the body.
 - (2) Remove the screws attaching the quarter window hinge No.1 to the body.
 - (3) Remove the quarter window assembly from the body.
2. Remove the quarter window lock and quarter window hinge No.1 from the quarter window assembly.

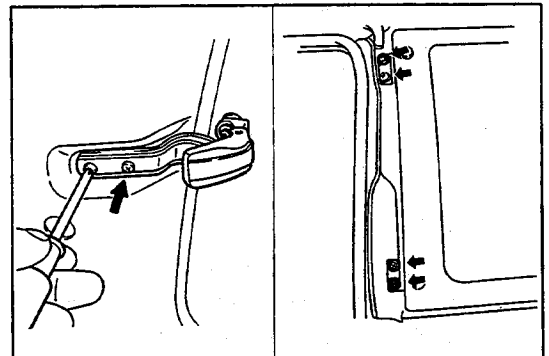


Fig. 9-97

WR-09103

INSTALLATION

1. Install the quarter window lock and quarter window hinge No.1 to the quarter window assembly.
2. Install the quarter window assembly to the body, as follows:
 - (1) Install the quarter window hinge No.1 to the body with the screws.
 - (2) Install the quarter window lock to the body with the screws.

NOTE:

When tightening the screw, fill the nut with an adhesive agent (instantaneous adhesive agent).

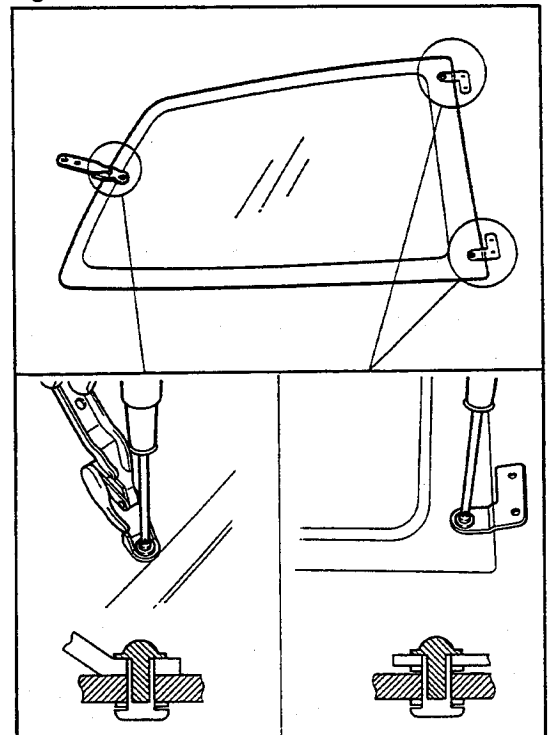


Fig. 9-98

WR-09104

BODY

OUTSIDE MOLDINGS

ARTICLES TO BE PREPARED

	Shape and nomenclature of item	Use
Lubricants and others	Beta seal 552 (Adhesive agent) (Cartridge capacity: 333 ml)	For use in installing outside moldings
	Solvents (Alcohol, white gasoline)	For use in cleaning body surface and molding surface
	Plastic spatula	For use in removing outside moldings

WR-09105

COMPONENTS

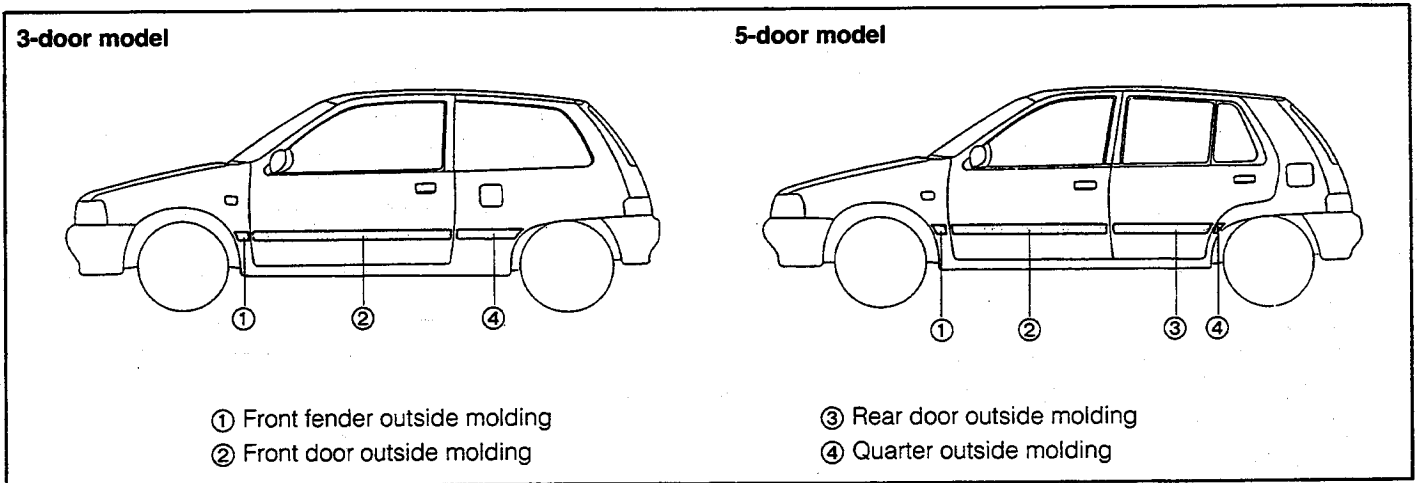


Fig. 9-99

WR-09106

REMOVAL

1. Removal of Outside Moldings

- (1) Raise the lower end of the molding. Insert a plastic spatula into that section.

- (2) While raising the lower side of the molding, remove the molding with a plastic spatula.

NOTE:

Be very careful not to scratch the body.

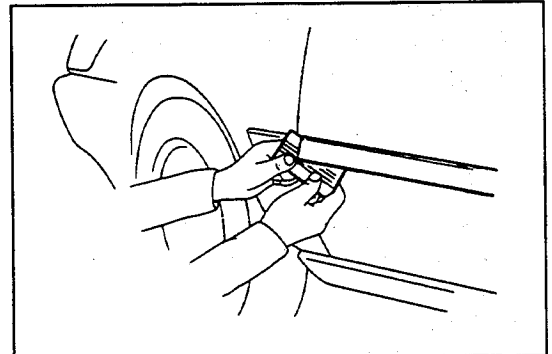


Fig. 9-100

WR-09107

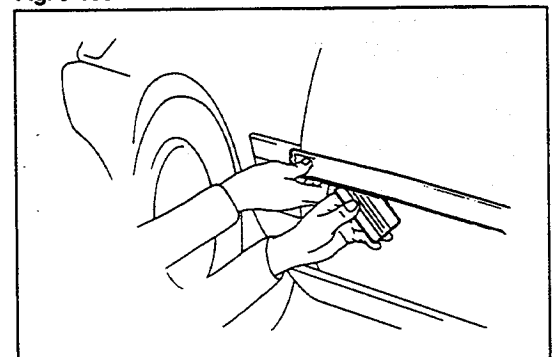


Fig. 9-101

WR-09108

INSPECTION AND CLEANING

Remove any adhesive agent remaining on the body surface with a cloth dampened with white gasoline.

WR-09109

INSTALLATION

- (1) Heat the outside molding and body with an infrared lamp or the like.
- (2) Remove the liner paper from the molding. Apply the adhesive agent to the points indicated in the figure below.

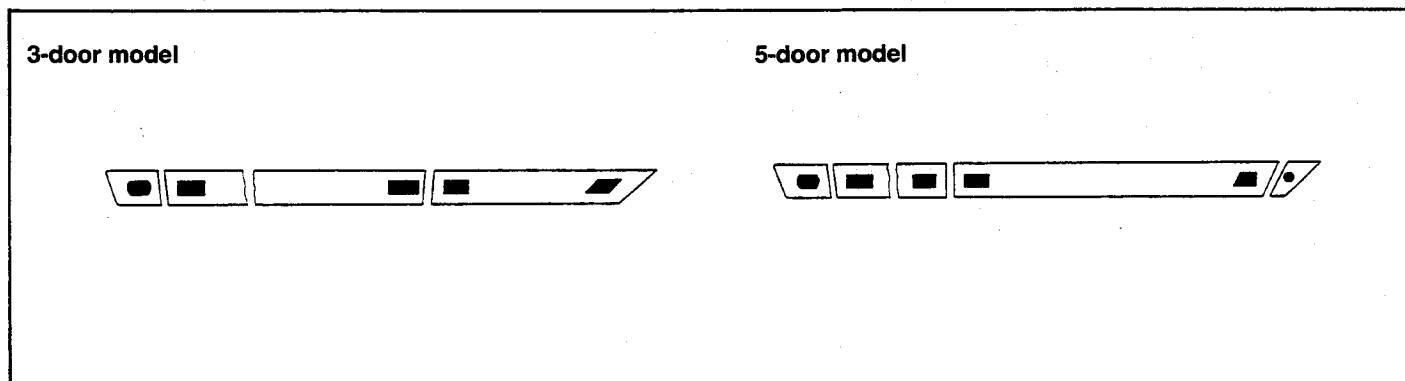


Fig. 9-102

WR-09110

- (3) Position the molding at the specified points of the body. Press the molding lightly.

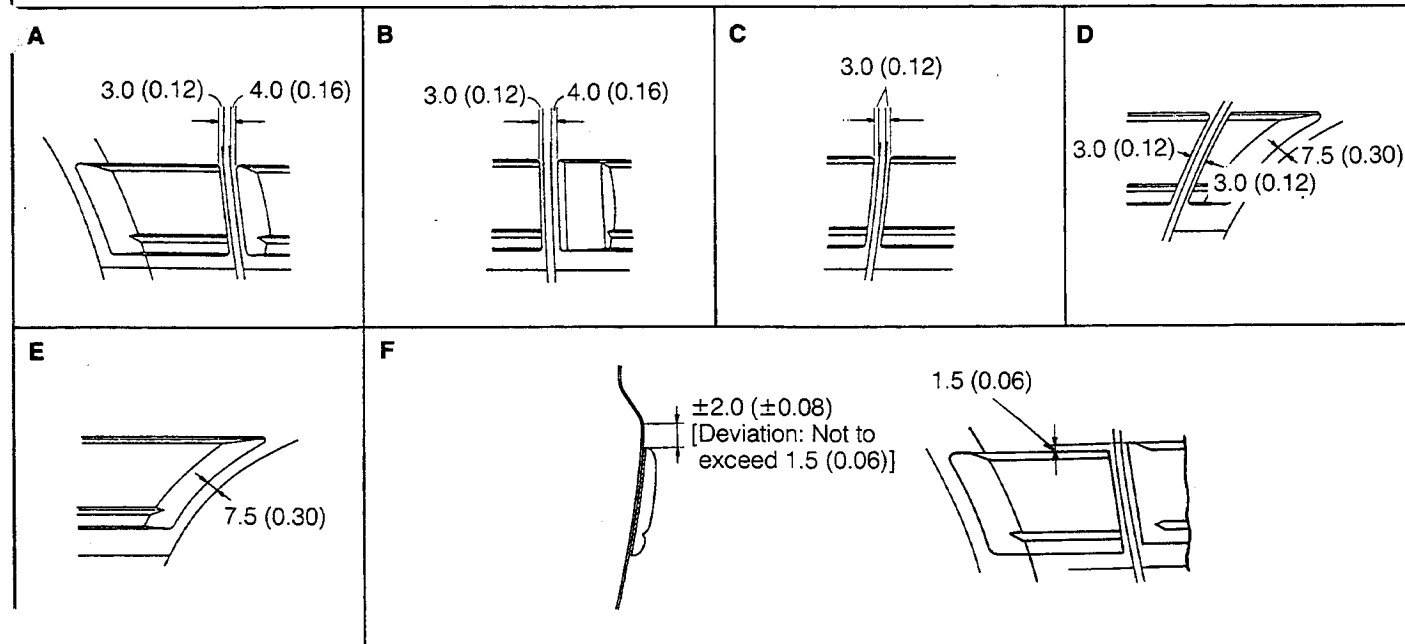
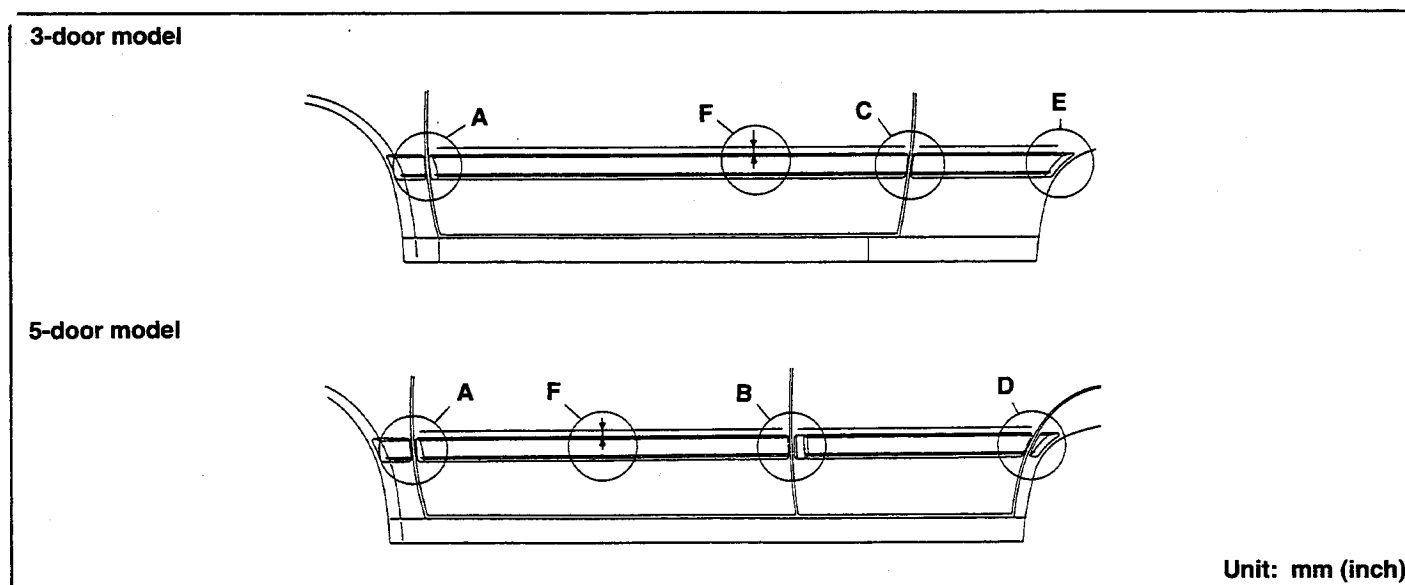


Fig. 9-103

WR-09111

BODY

- (4) Press the molding against the body, using a roller or the like. Applying pressure: about 5 kg (11 lb)
- (5) Press the end sections of the molding firmly by your hand.


NOTE:

- 1. When removing the liner paper, care must be exercised to ensure that no dirt or the like may get to the surface of the two-faced adhesive tape.
- 2. Never allow the adhesive agent to get to the two-faced adhesive tape.
- 3. Affix the molding within three minutes after the adhesive agent has been applied.

WR-09112

BACK DOOR GARNISH

ARTICLES TO BE PREPARED

	Shape	Nomenclature and part number	Use
Tools		Screwdriver type clip clamping tool by Banzai, Ltd.	For use in removing back door garnish
Lubricants and others	Alcohol, white gasoline		

WR-09113

INSTALLATION POSITION

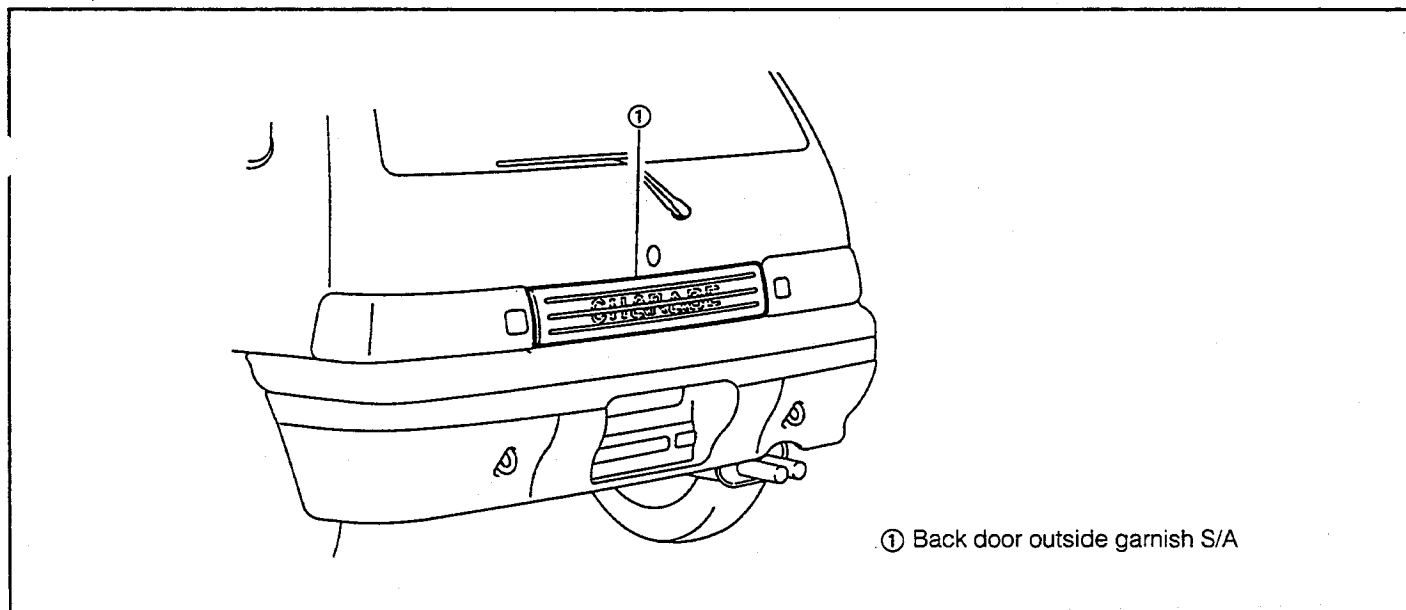


Fig. 9-104

WR-09114

REMOVAL

1. Detach the clip sections from the body, using a screwdriver type clip clamping tool wrapped with a protective tape.
2. Remove the garnish slowly, starting from the end of it.

NOTE:

Remove the garnish slowly, for it has been attached by a two-faced adhesive tape.

INSTALLATION

1. Clean the body surface with alcohol or white gasoline.
2. Install the garnish and press the two-faced adhesive tape section.

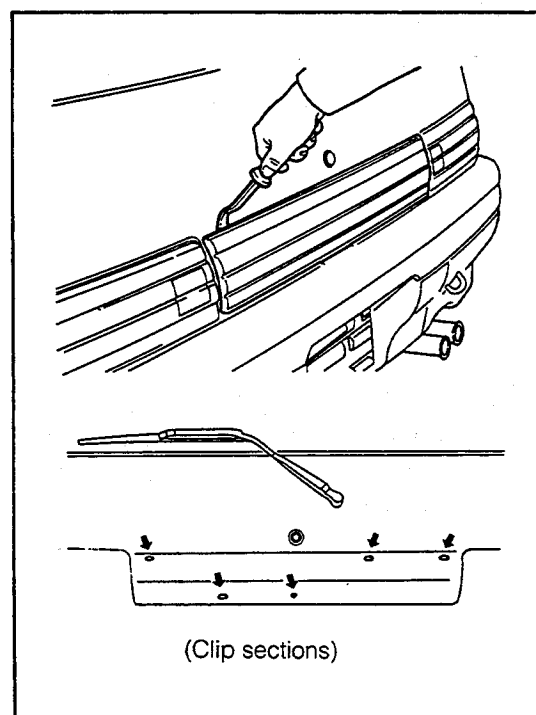



Fig. 9-105

WR-09115

BODY

BACK DOOR OUTSIDE GARNISH NO.2

ARTICLES TO BE PREPARED

	Shape	Nomenclature and part number	Use
Tools		Screwdriver type clip clamping tool by Banzai, Ltd.	For use in removing back door garnish
Lubricants and others	Alcohol, white gasoline		

WR-09116

COMPONENTS

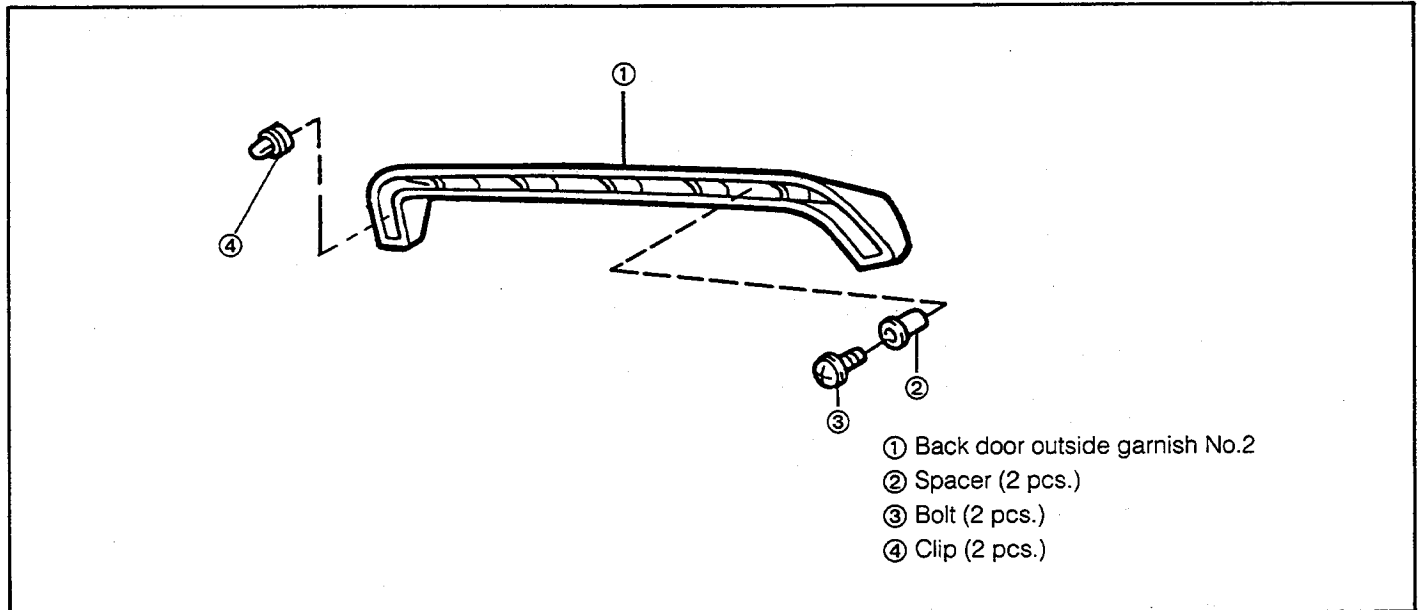


Fig. 9-106

WR-09117

REMOVAL

1. Remove the attaching bolt of the back door outside garnish No.2, using a socket wrench.

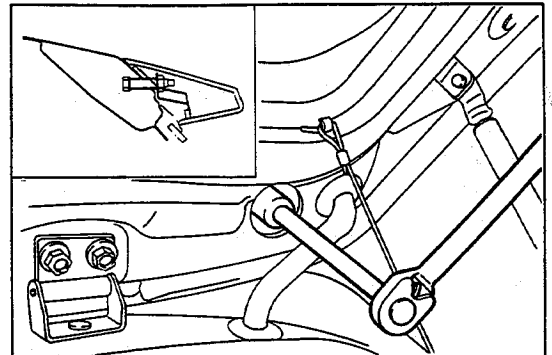


Fig. 9-107

WR-09118

2. Back door outside garnish No.2
 - (1) Detach the clip sections from the body, using a screwdriver type clip clamping tool wrapped with protective tape.

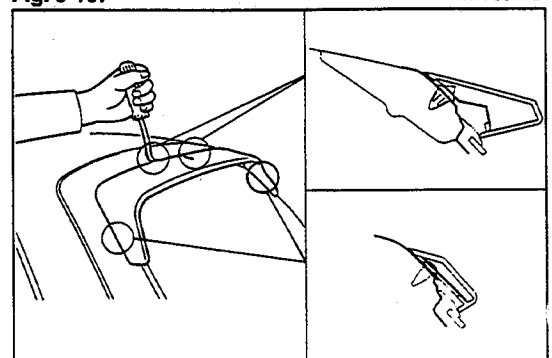


Fig. 9-108

WR-09119

INSTALLATION

1. Clean the installation surface (body side) of the back door outside garnish No.2 with alcohol or white gasoline.
2. Installation of back door outside garnish No.2
 - (1) Attach the clips to the back door outside garnish No.2. Then, install the garnish to the body.
 - (2) Secure the back door outside garnish No.2 to the body with the two bolts.

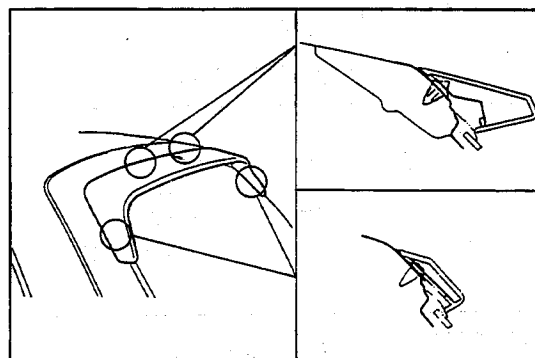


Fig. 9-109

WR-09120

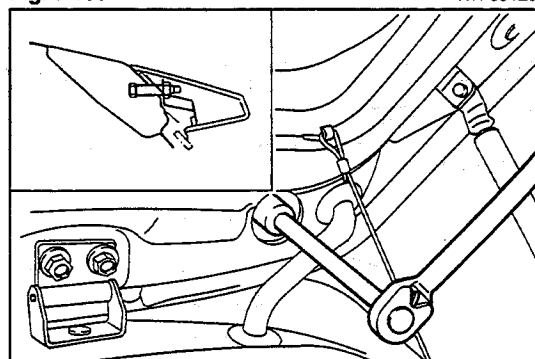



Fig. 9-110

WR-09121

BODY

FRONT DOOR

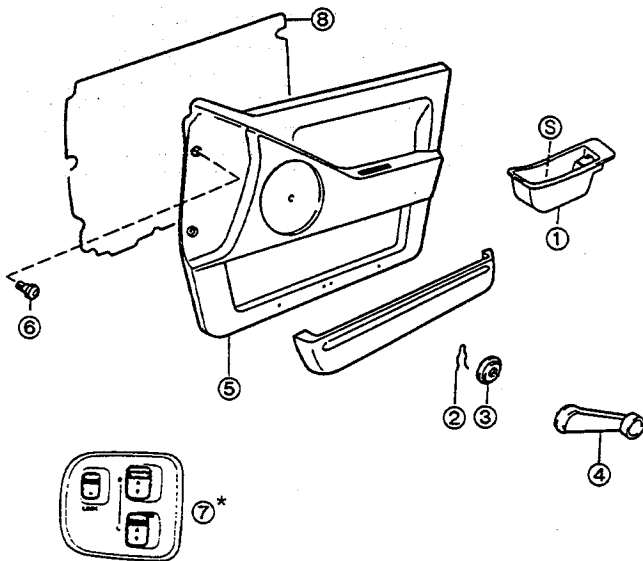
ARTICLES TO BE PREPARED

	Shape	Nomenclature and part number	Use
Tools		Screwdriver type clip clamping tool by Banzai, Ltd.	For use in removing door trim
Lubricants and others	MP grease, butyl tape, soap and brush, etc.		

WR-09122

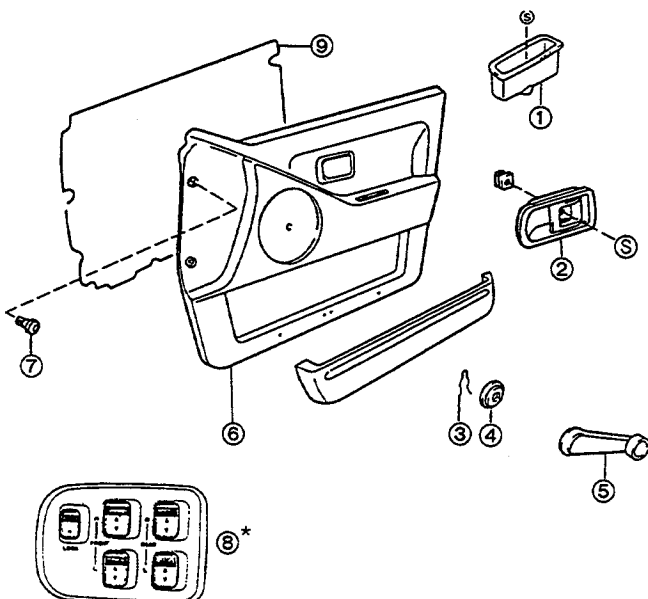
DOOR TRIM AND SERVICE HOLE COVER COMPONENTS

3-door model



- ① Door pull handle
- ② Shaft snap ring
- ③ Regulator inside handle plate
- ④ Front door window regulator handle Ay
- ⑤ Front door trim panel Ay
- ⑥ Clip
- ⑦ Power window master switch Ay
- ⑧ Front door service hole cover S/A

5-door model



- ① Door pull handle
- ② Door inside handle Ay
- ③ Shaft snap ring
- ④ Regulator inside handle plate
- ⑤ Front door window regulator handle Ay
- ⑥ Front door trim panel Ay
- ⑦ Clip
- ⑧ Power window master switch Ay
- ⑨ Front door service hole cover S/A

* : Power window-equipped vehicle only

Fig. 9-111

WR-09123

REMOVAL

1. Remove the door pull handle.
(3-door model: two screws, 5-door model: one screw)
2. Remove the one attaching screw of the door inside handle. (5-door model only)

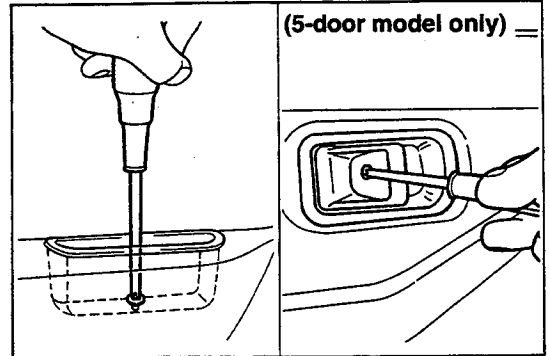


Fig. 9-112

WR-09124

3. Removal of front door window regulator handle assembly
 - (1) Detach the shaft snap ring, using a cloth.
 - (2) Remove the front door window regulator handle assembly and regulator inside handle plate.

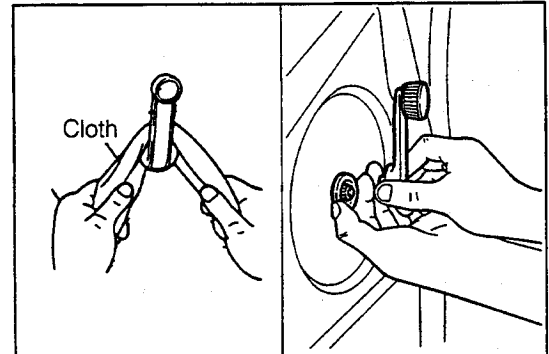


Fig. 9-113

WR-09125

4. Detach the two clips by pushing the center section of each clip.

NOTE:

Never push the center section excessively. If pushed excessively, the center section of the clip may fall off.

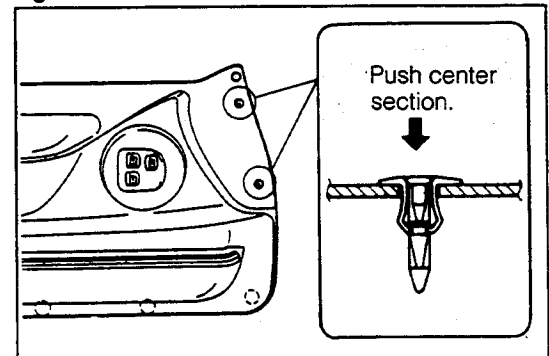


Fig. 9-114

WR-09126

5. Removal of front door trim panel assembly
 - (1) Remove the front door trim panel assembly, using the clip clamping tool.
 - (2) Remove the coupler for power window use. (Power window-equipped vehicle only)
 - (3) Remove the power window master switch assembly from the front door trim panel assembly. (Power window-equipped vehicle only)

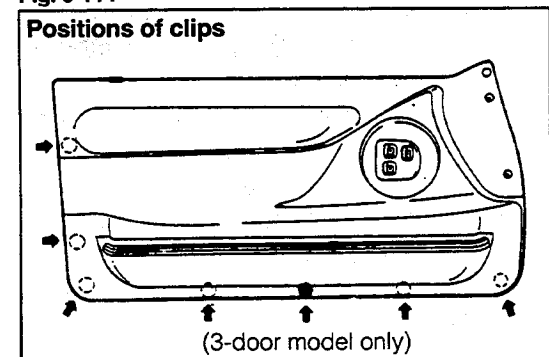


Fig. 9-115

WR-09127

6. Remove the door inside handle assembly and bracket.

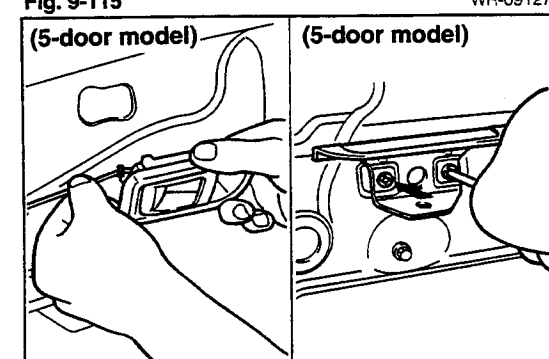


Fig. 9-116

WR-09128

BODY

7. Remove the front door service hole cover subassembly.

INSTALLATION

1. Installation of front door service hole cover subassembly
 - (1) Affix butyl tape to the points indicated in the right figure.
 - (2) Insert the cover at the lower end into the aperture at the lower side of the door panel. Affix adhesive tape on the holes.

NOTE:

1. Never plug the clip hole of the door trim with adhesive tape.
 2. Replace any service hole cover which exhibits rupture.
-
2. Install the door inside handle assembly and bracket.
(5-door model: See Fig. 9-116.)
(3-door model: See Fig. 9-117.)

3. Installation of front door trim panel assembly
 - (1) Ensure that the clips are attached to the front door trim panel assembly.
 - (2) Install the power window master switch assembly to the front door trim panel assembly. (Power window-equipped vehicle only)
 - (3) Connect the coupler for power window use. (Power window-equipped vehicle only)
 - (4) Install the front door trim panel assembly to the front door.

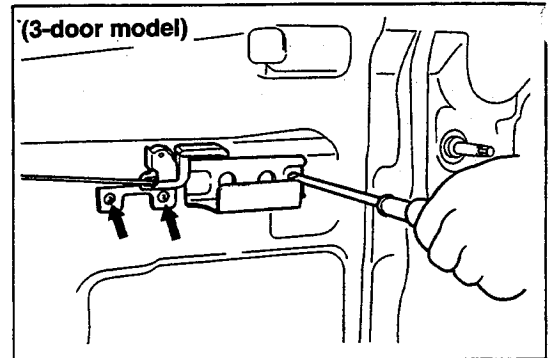
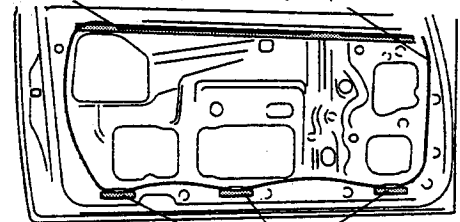


Fig. 9-117

WR-09129

3-door model

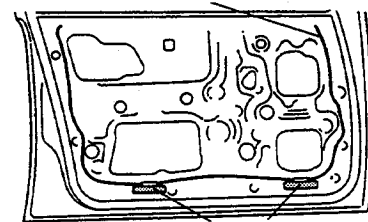
Affix adhesive tape. Butyl tape



Affix adhesive tape.

5-door model

Butyl tape

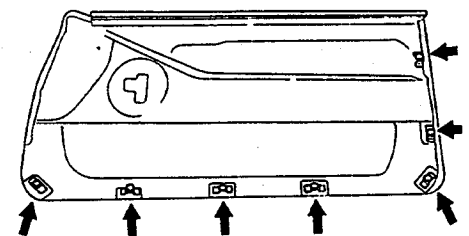


Affix adhesive tape.

Fig. 9-118

WR-09130

3-door model



5-door model

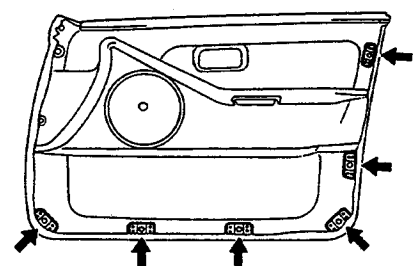


Fig. 9-119

WR-09131

1. Attachment of clips
 - (1) Pull up the center section of each clip. Set it to the front door trim panel.
 - (2) Push the center section of the clip.

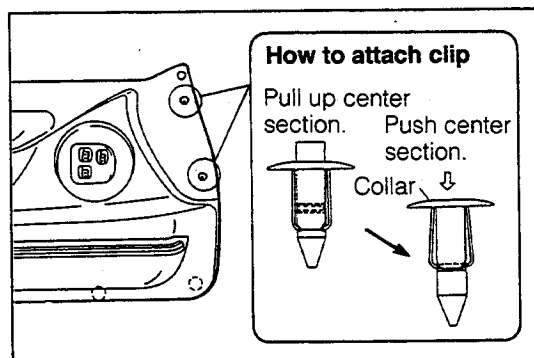


Fig. 9-120

WR-09132

5. Installation of front door window regulator handle assembly
 - (1) Close the door glass fully.
 - (2) Set the regulator inside handle plate to the trim side.
 - (3) Set the shaft snap ring to the front door window regulator handle.

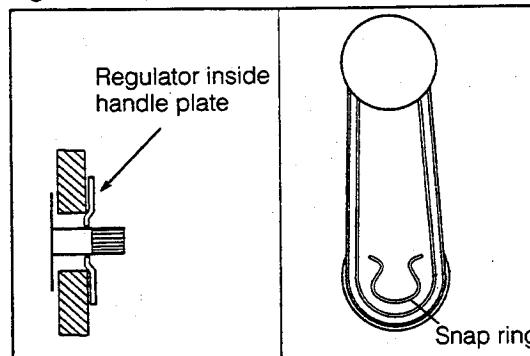


Fig. 9-121

WR-09133

- (4) Install the front door window regulator handle in the angle specified in the right figure.

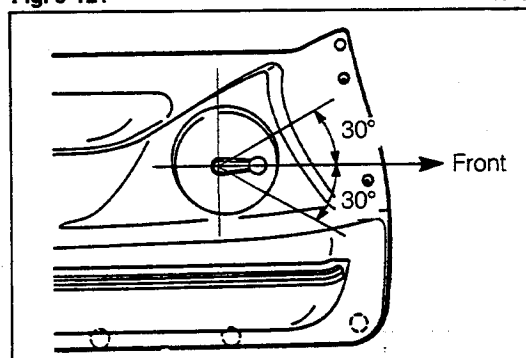


Fig. 9-122

WR-09134

5. Install the door pull handle.
 - (3-door model: two screws, 5-door model: one screw)
 - Install the door inside handle assembly. (5-door model only)

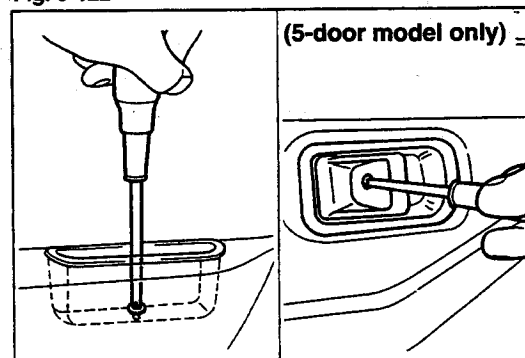


Fig. 9-123

WR-09135

BODY

DOOR LOCK AND OUTSIDE DOOR HANDLE COMPONENTS

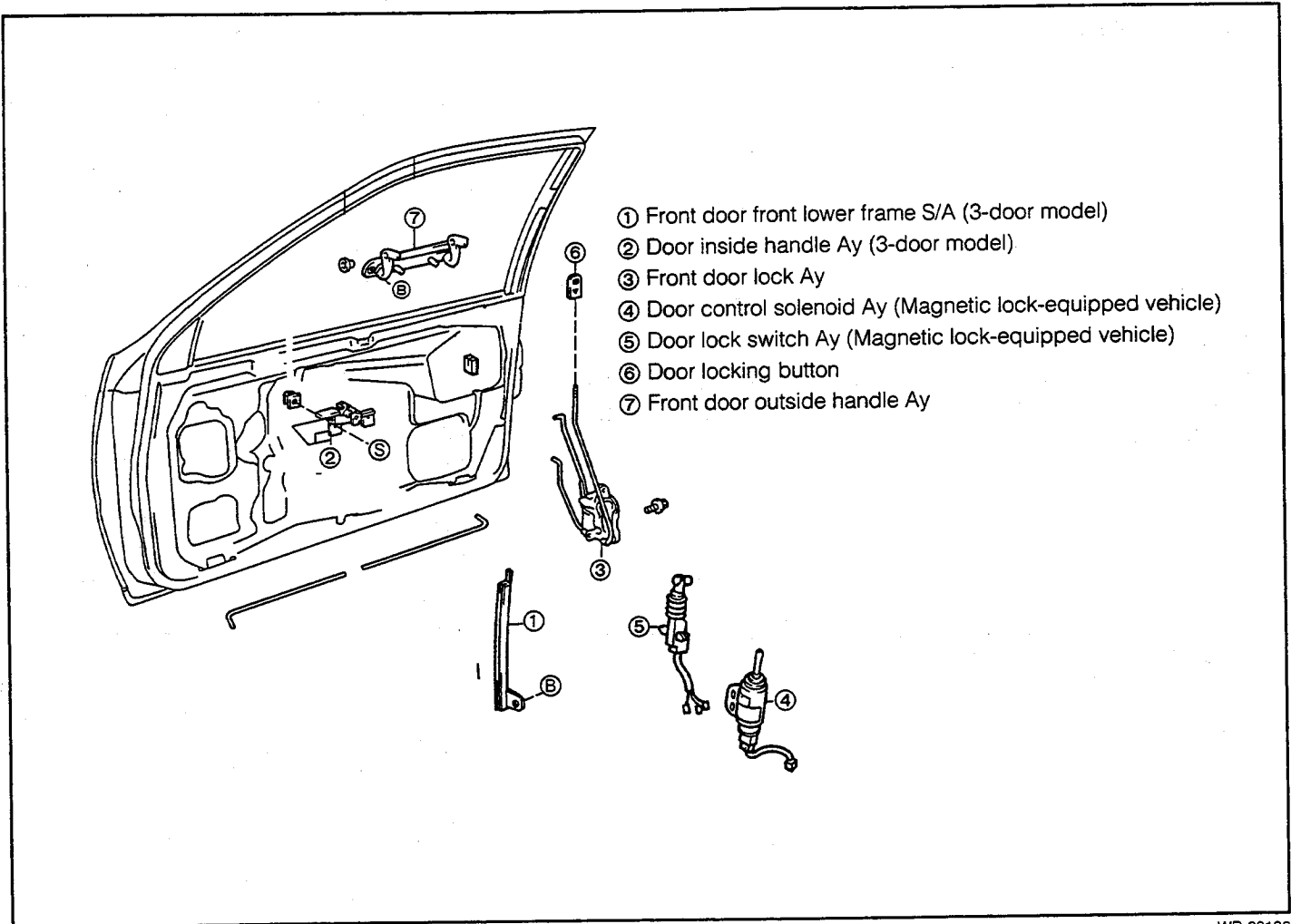


Fig. 9-124

WR-09136

REMOVAL

1. Remove the door trim-related parts. (See page 9-39.)
2. Remove the front door front lower frame subassembly. (3-door model only)

3. Removal of front door lock assembly
 - (1) Detach the door locking button from the front door lock assembly.
 - (2) Remove the link-related parts.
 - (3) Remove the three attaching screws of the front door lock assembly. (In the case of the passenger side on the magnetic lock-equipped vehicle, remove the bolt (A).)
 - (4) Take out the front door lock assembly from the front door.

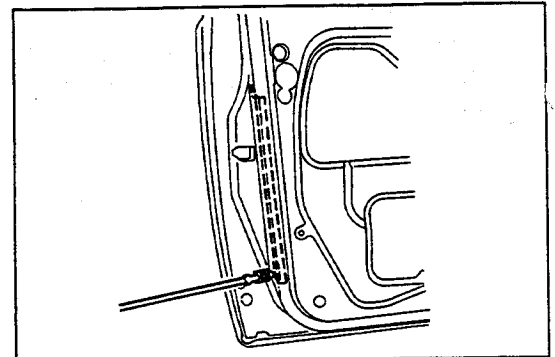


Fig. 9-125

WR-09137

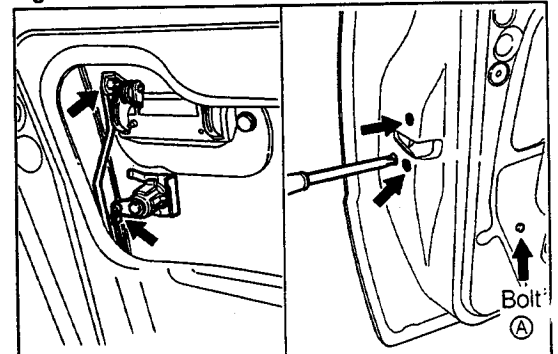


Fig. 9-126

WR-09138

- (5) Remove the door control solenoid assembly from the front door lock assembly. (Sides other than the driver's seat on the magnetic lock-equipped vehicle)
- (6) Remove the door lock switch assembly from the front door lock assembly. (Driver's seat only on the magnetic lock-equipped vehicle)

- 4. Detach the front door outside handle assembly by removing the two bolts.
- 5. Detach the clip. Remove the key cylinder.

INSTALLATION

- 1. Install the front door outside handle assembly with the two bolts. (See Fig. 9-128.)
- 2. Install the key cylinder into position with the clip. (See Fig. 9-128.)
- 3. Installation of front door lock assembly
 - (1) Apply MP grease to the sliding sections.
 - (2) Install the door lock switch assembly in the front door lock assembly. (Driver's seat only on the magnetic lock-equipped vehicle)
 - (3) Install the door control solenoid assembly in the front door lock assembly (Sides other than the driver's seat on the magnetic lock-equipped vehicle)
 - (4) Place the solenoid in a locking state. Adjust the solenoid assembly so that the clearance may become zero, as indicated in the right figure. Tighten the solenoid assembly securely. (Magnetic lock-equipped vehicle only)

- (5) Install the front door lock assembly in the front door, using the three screws. (In the case of the passenger side on the magnetic lock-equipped vehicle, install the bolt (A).)

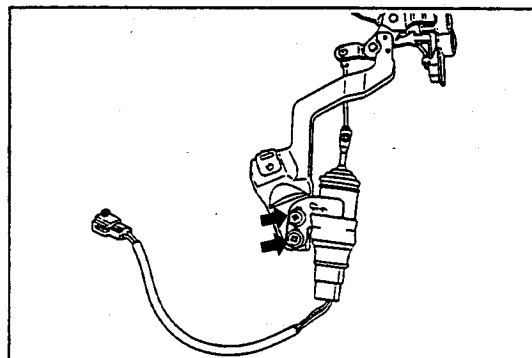


Fig. 9-127

WR-09139

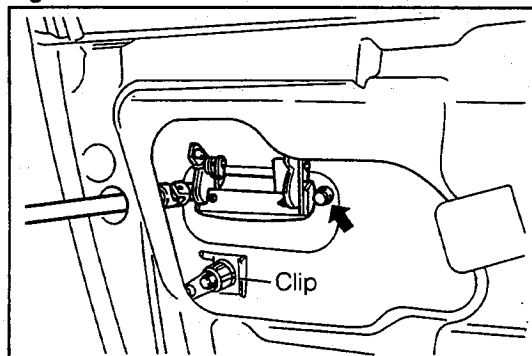


Fig. 9-128

WR-09140

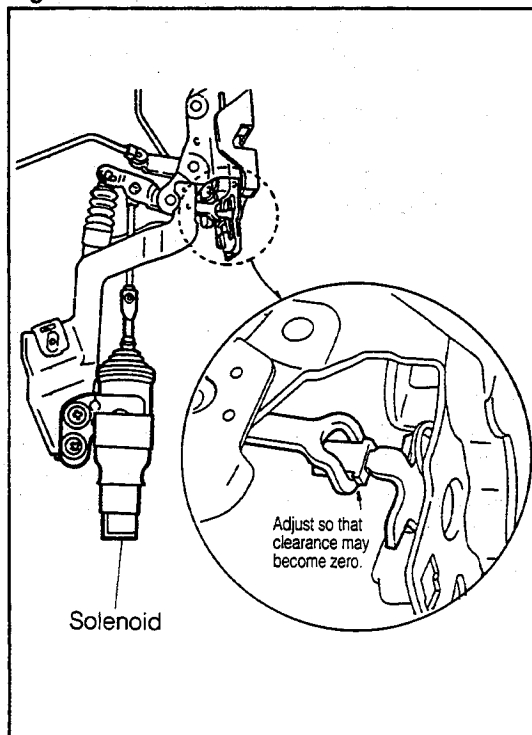


Fig. 9-129

WR-09141

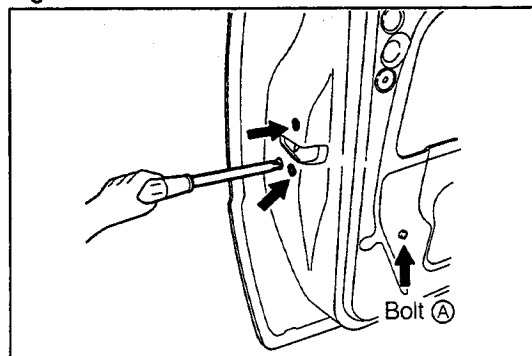


Fig. 9-130

WR-09142

BODY

- (6) Install the link-related parts.
- (7) Attach the door locking button.
4. Install the front door front low frame subassembly in the front door. (3-door model only)
5. Install the door trim-related parts. (See page 9-40.)

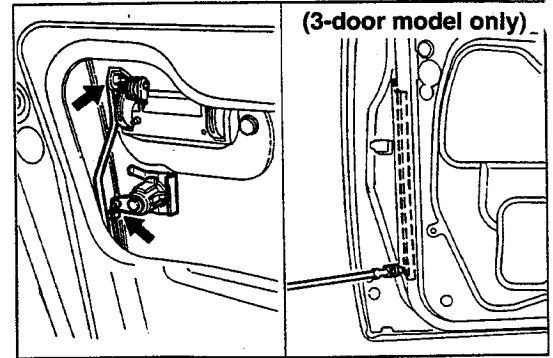


Fig. 9-131

WR-09143

DOOR GLASS AND REGULATOR COMPONENTS

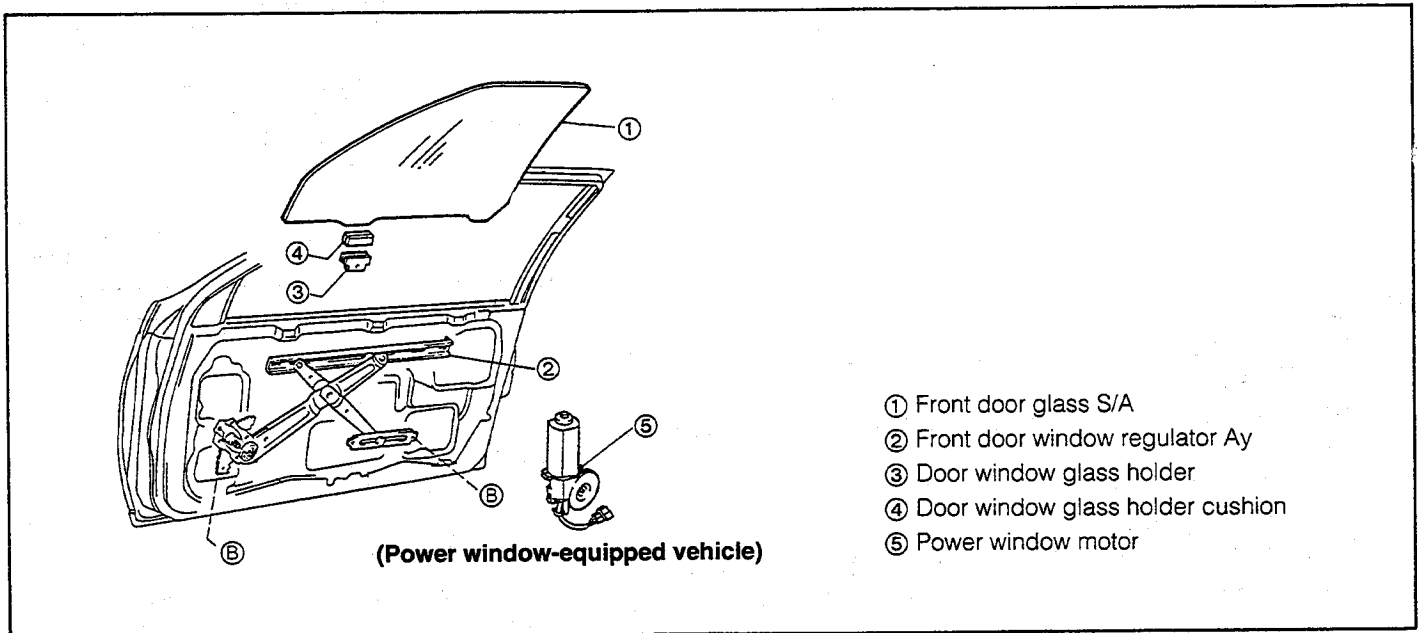


Fig. 9-132

WR-09144

REMOVAL

1. Remove the door trim-related parts. (See page 9-39.)
2. Remove the two attaching bolts of the front door glass subassembly. Remove the front door glass subassembly from the front door.
3. Remove the door window glass holder & cushion from the front door glass subassembly.

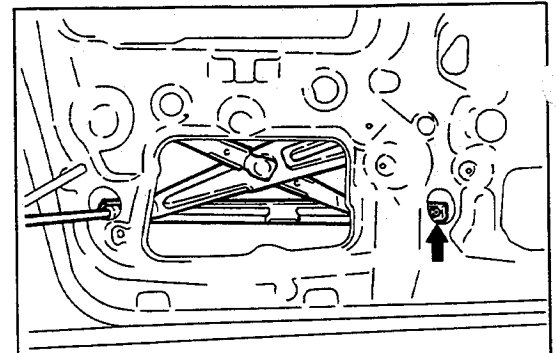


Fig. 9-133

WR-09145

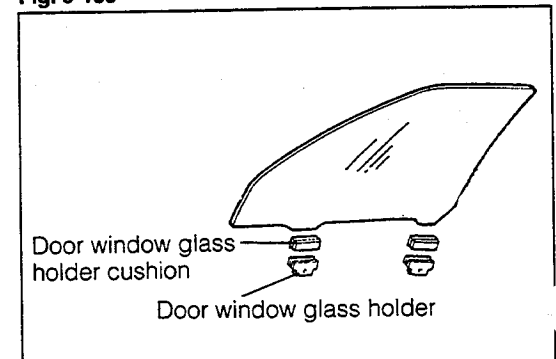


Fig. 9-134

WR-09146

4. Remove the front door window regulator assembly.

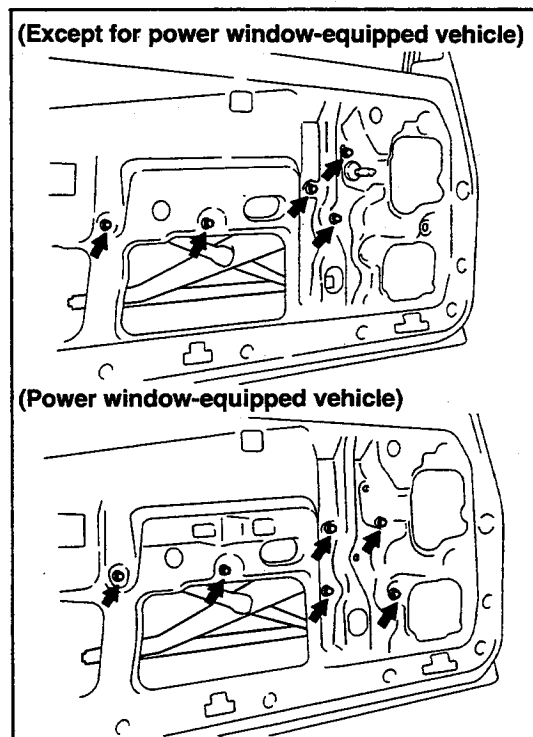


Fig. 9-135

WR-09147

5. Remove the power window motor from the front door window regulator assembly. (Power window-equipped vehicle)
6. Remove the front door glass outer weatherstrip and front door glass run.

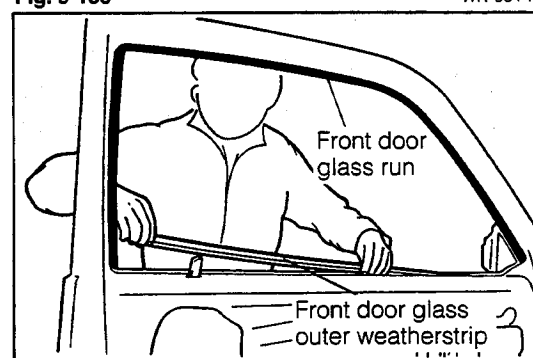


Fig. 9-136

WR-09148

7. Remove the front door front and rear lower frame sub-assembly.

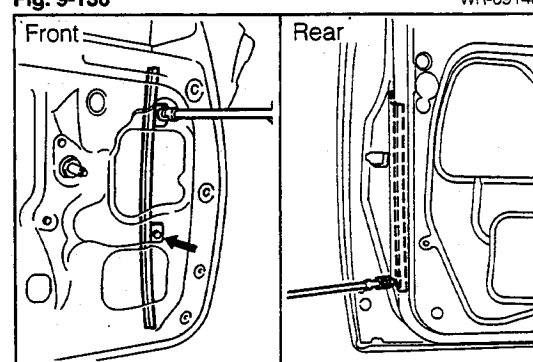


Fig. 9-137

WR-09149

BODY

INSTALLATION

1. Install the front door front and rear lower frame sub-assembly.
2. Install the front door glass outer weatherstrip and front door glass run.
3. Install the door window glass holder and cushion to the front door glass.

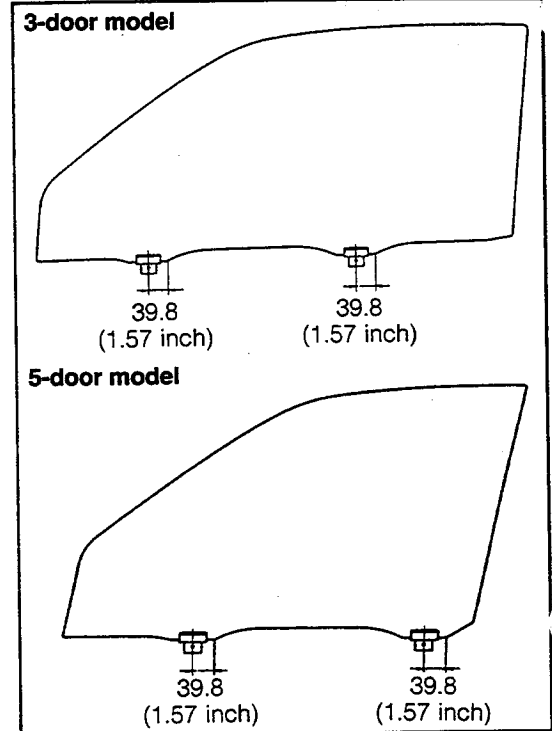


Fig. 9-138

WR-09150

4. Installation of front door window regulator assembly
 - (1) Apply MP grease to the sliding section.
 - (2) Install the power window motor to the front door window regulator assembly. (Power window-equipped vehicle)

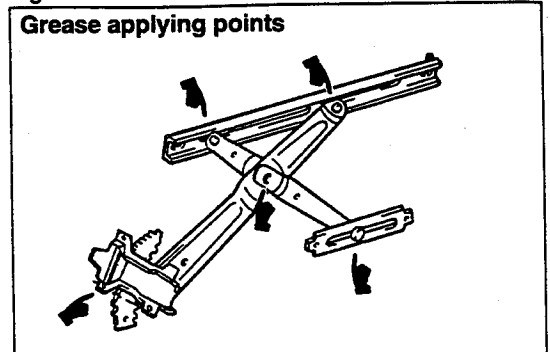


Fig. 9-139

WR-09151

- (3) Install the front door window regulator assembly. (Tighten the bolts other than the bolts **A**. Then, tighten the two bolts **A** at the center section of the elongated hole of the door panel.)
5. Installation of front door glass subassembly
 - (1) Install the front door glass subassembly. (See Fig. 9-133.)
 - (2) Close the front door glass fully. Then, lower the front door glass 40 mm (1.57 inches).
 - (3) First loosen the bolts **A** and then tighten them again.
6. Install the door trim-related parts. (See page 9-40.)

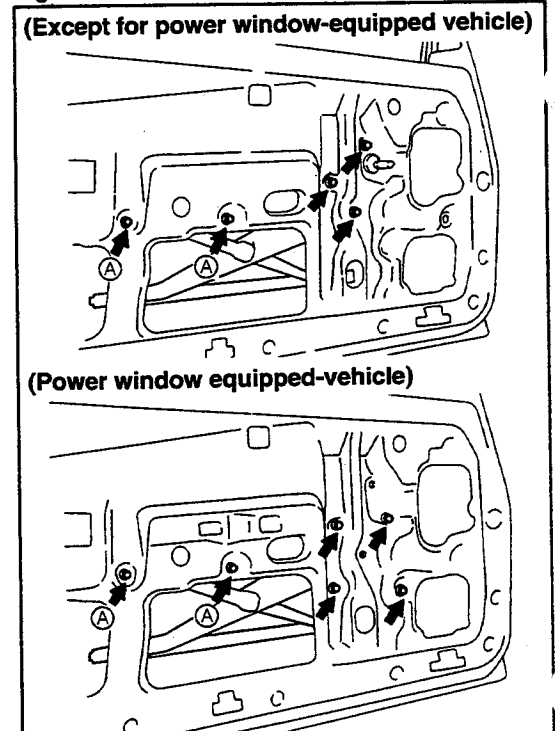



Fig. 9-140

WR-09152

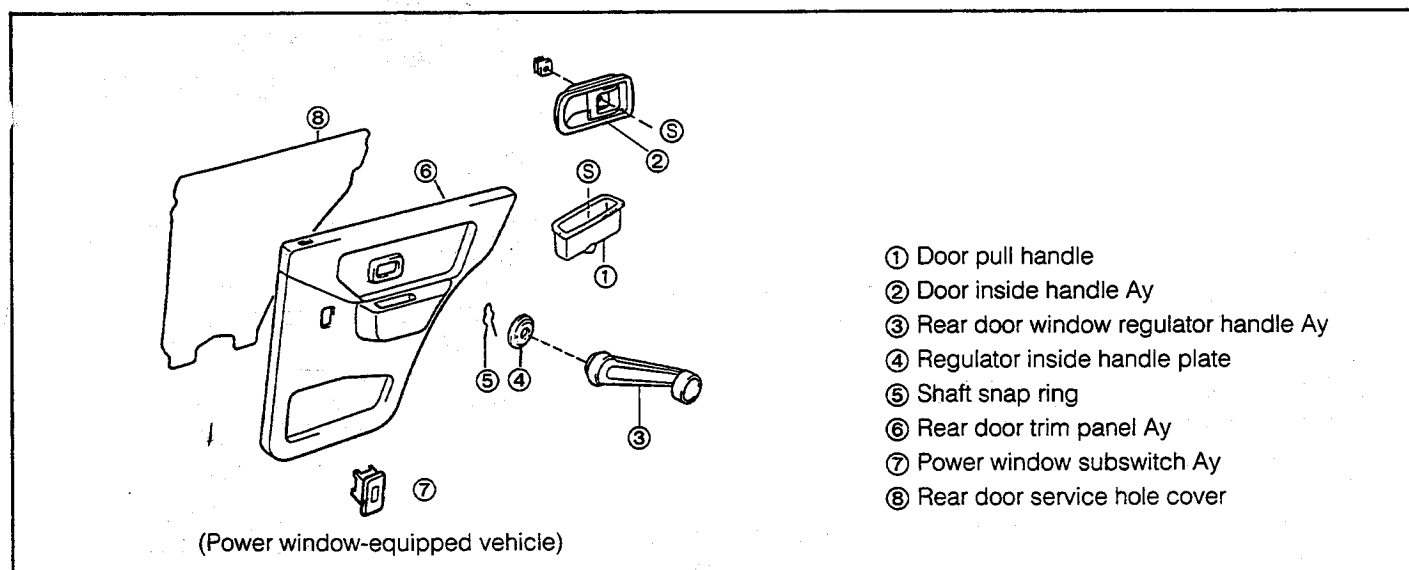
REAR DOOR

ARTICLES TO BE PREPARED

	Shape	Nomenclature and part number	Use
Tools		Screwdriver type clip clamping tool by Banzai, Ltd.	For use in removing door trim
Lubricants and others	MP grease and butyl tape		

WR-09153

DOOR TRIM AND SERVICE HOLE COMPONENTS



- ① Door pull handle
- ② Door inside handle Ay
- ③ Rear door window regulator handle Ay
- ④ Regulator inside handle plate
- ⑤ Shaft snap ring
- ⑥ Rear door trim panel Ay
- ⑦ Power window subswitch Ay
- ⑧ Rear door service hole cover

Fig. 9-141

WR-09154

REMOVAL

1. Detach the door pull handle.
2. Remove the door inside handle assembly.
3. Removal of rear door window regulator handle assembly
 - (1) Detach the shaft snap ring, using a cloth.
 - (2) Take out the rear door window regulator handle assembly and regulator inside handle plate.

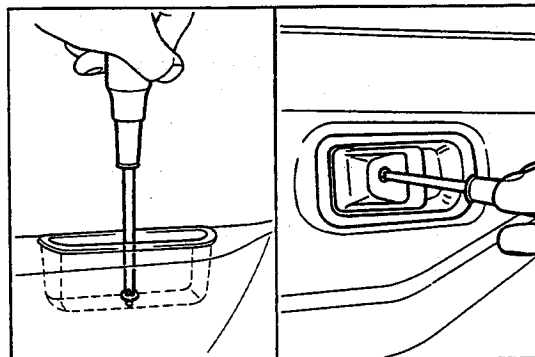


Fig. 9-142

WR-09155

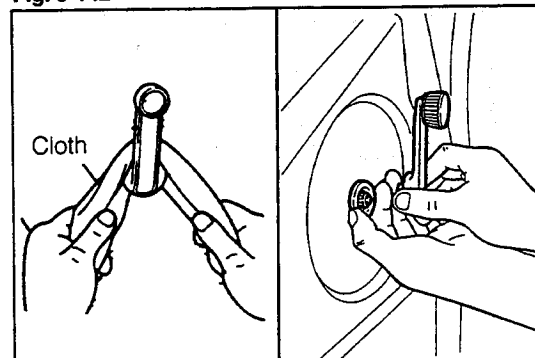


Fig. 9-143

WR-09156

BODY

4. Removal of rear door trim panel assembly
 - (1) Detach the rear door trim panel assembly, using a clip remover.
 - (2) Remove the coupler for power window use. (Power window-equipped vehicle only)
 - (3) Remove the power window subswitch assembly from the rear door trim panel assembly.
5. Remove the door inside handle assembly and bracket.
6. Detach the rear door service hole cover subassembly.

INSTALLATION

1. Installation of rear door service hole cover subassembly
 - (1) Affix butyl tape on the position specified in the right figure.
 - (2) Place the lower edge of the cover in the aperture provided at the lower part of the door panel. Then, affix adhesive tape on it.

NOTE:

1. Be sure not to plug the clip hole with the adhesive tape.
 2. Replace the service hole cover if it exhibits rupture.
2. Install the door inside handle assembly and bracket.
 3. Installation of rear door trim panel assembly
 - (1) Ensure that the clip is attached to the rear door trim panel assembly.
 - (2) Install the power window subswitch assembly on the rear door trim panel assembly. Connect the coupler. (Power window-equipped vehicle only)
 - (3) Attach the rear door trim panel assembly on the rear door.
 4. Installation of rear door window regulator handle assembly
 - (1) Close the door glass fully.
 - (2) Set the regulator inside handle plate at the trim side.
 - (3) Set the shaft snap ring in the rear door window regulator handle.

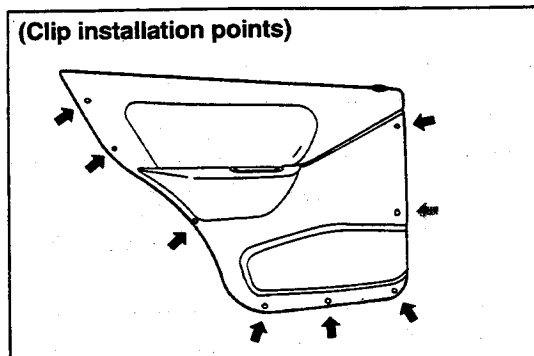


Fig. 9-144

WR-09157

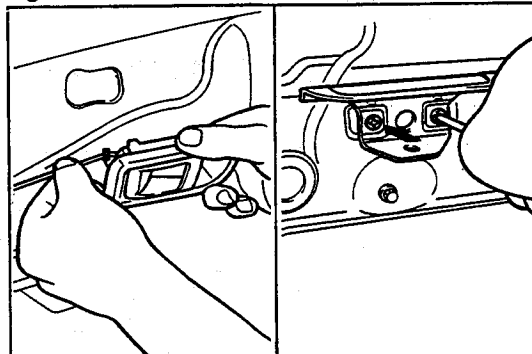


Fig. 9-145

WR-09158

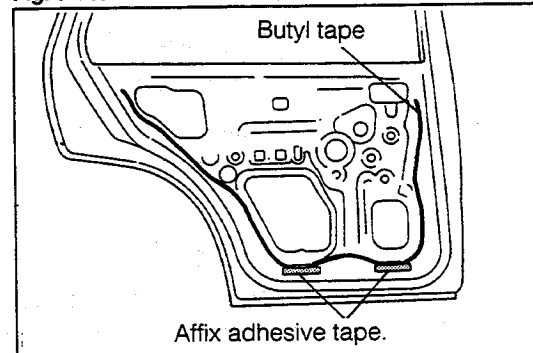


Fig. 9-146

WR-09159

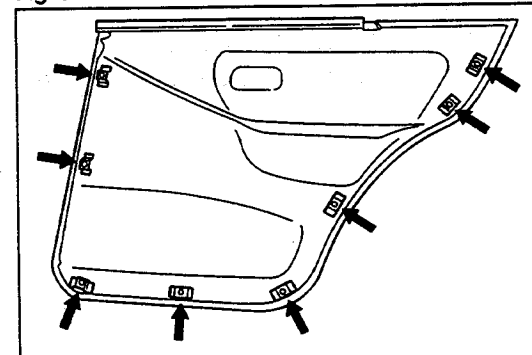


Fig. 9-147

WR-09160

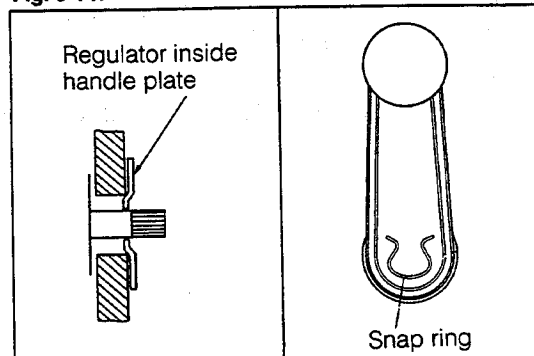


Fig. 9-148

WR-09161

(4) Install the rear door window regulator handle in such a way that the handle may come within the angle indicated in the right figure.

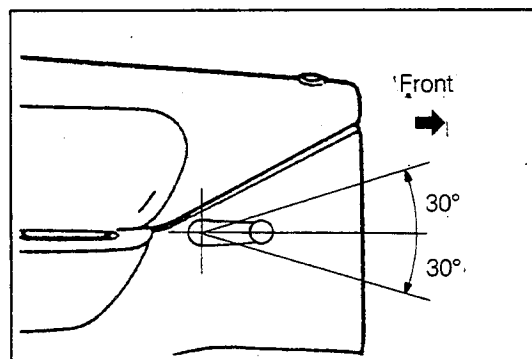


Fig. 9-149

WR-09162

5. Install the door pull handle.
6. Install the door inside handle assembly.

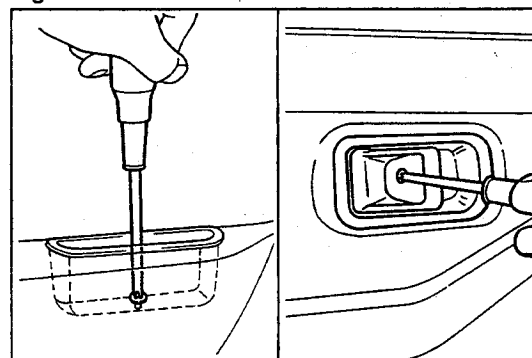
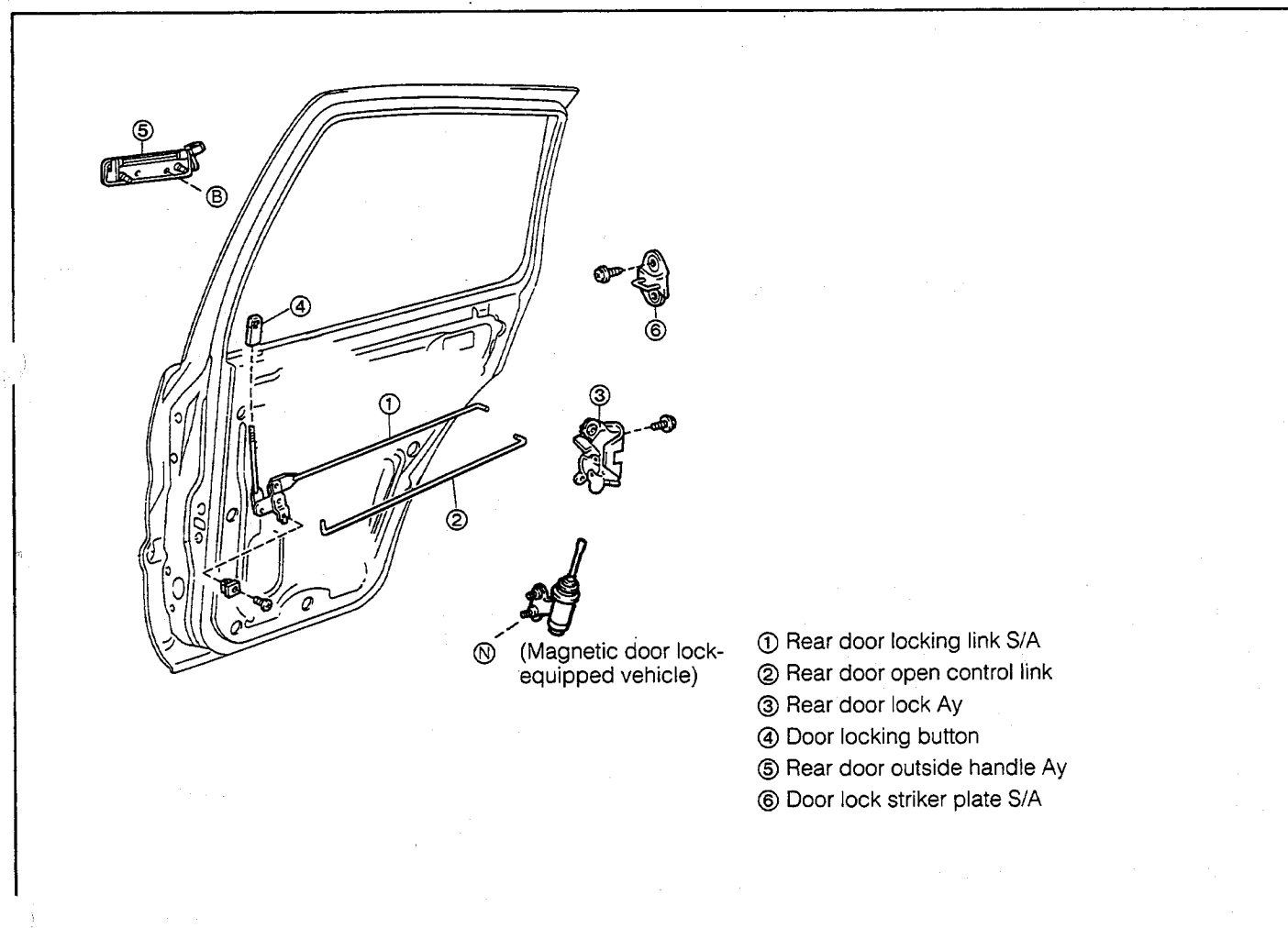


Fig. 9-150

WR-09163

DOOR LOCK AND OUTSIDE DOOR HANDLE

Components



(N) (Magnetic door lock-equipped vehicle)

- ① Rear door locking link S/A
- ② Rear door open control link
- ③ Rear door lock Ay
- ④ Door locking button
- ⑤ Rear door outside handle Ay
- ⑥ Door lock striker plate S/A

Fig. 9-151

WR-09164

BODY

REMOVAL

1. Remove the door trim-related parts. (See page 9-47.)
2. Remove the door control solenoid assembly by removing the two nuts and coupler.

3. Removal of rear door lock assembly

- (1) Remove the rear door locking button.
- (2) Remove the attaching screw of the rear door locking link subassembly.
- (3) Remove the three attaching screws of the rear door lock assembly.
- (4) Remove the rear door lock assembly (link-related parts) from the door.

4. Remove the following parts from the rear door lock assembly.

- (1) Remove the rear door locking link subassembly.
- (2) Remove the rear door opening control link.

5. Remove the rear door outside handle assembly.

INSTALLATION

1. Install the rear door outside handle assembly.
2. Install the following parts in the rear door lock assembly.
 - (1) Install the rear door opening control link.
 - (2) Install the rear door locking link subassembly.
3. Install the rear door lock assembly and rear door locking button in the rear door. (See Fig. 9-153.)
4. Install the rear control solenoid assembly. (See Fig. 9-157.)

The solenoid assembly should be installed at such a position that the lock button stroke may become at least 10 mm (0.37 inch).

5. Install the door trim-related parts. (See page 9-48.)

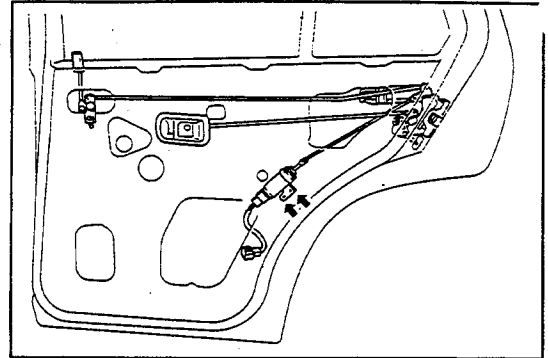


Fig. 9-152

WR-09165

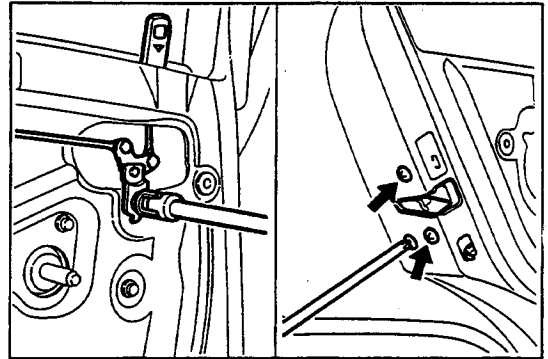


Fig. 9-153

WR-09166

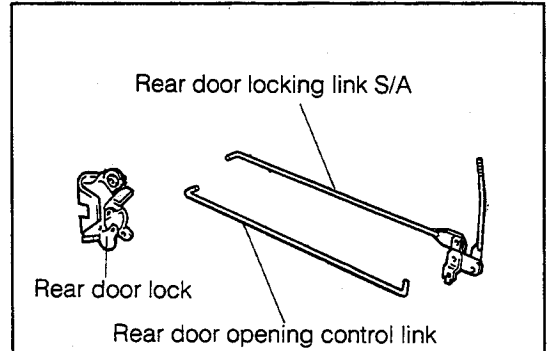


Fig. 9-154

WR-09167

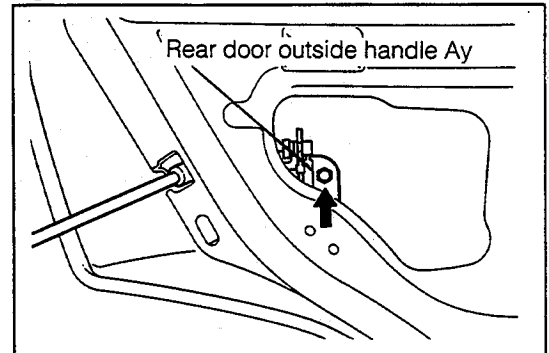


Fig. 9-155

WR-09168

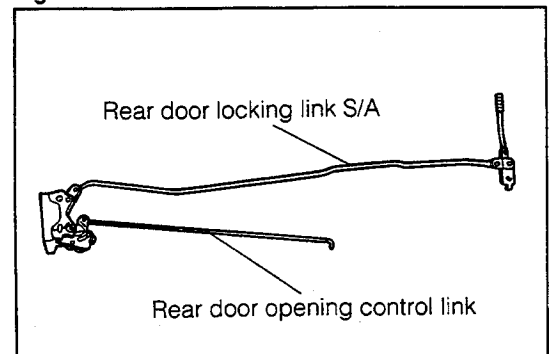


Fig. 9-156

WR-09169

DOOR GLASS AND REGULATOR COMPONENTS

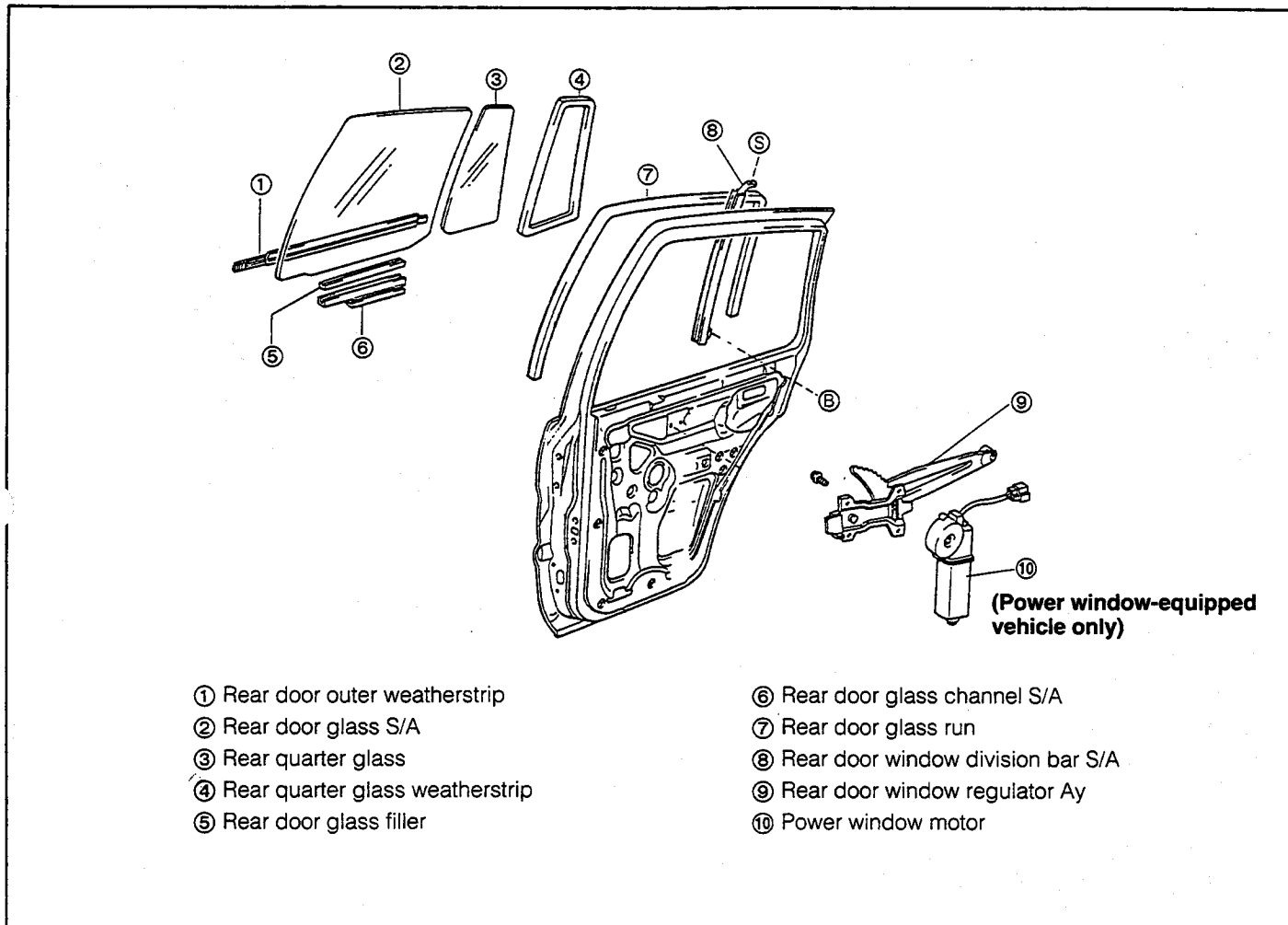


Fig. 9-157

WR-09170

REMOVAL

1. Remove the rear door trim board-related parts. (See page 9-47.)
2. Remove the rear door weatherstrip.
3. Removal of rear door window division bar subassembly
 - (1) Remove the upper attaching screw and lower bolt of the rear door window division bar subassembly.
 - (2) Remove the rear door window division bar subassembly from the rear door.
4. Remove the rear quarter glass and rear quarter glass weatherstrip.

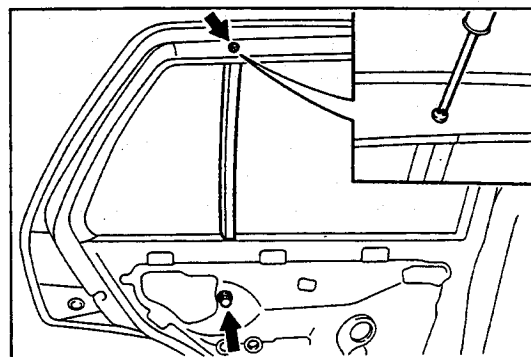


Fig. 9-158

WR-09171

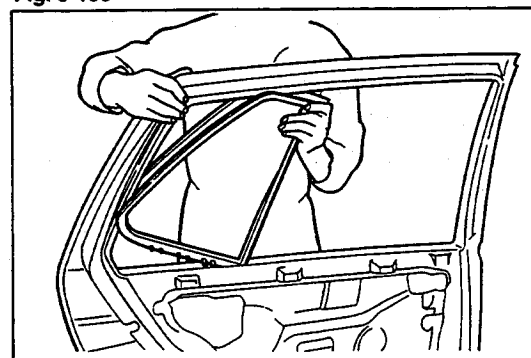


Fig. 9-159

WR-09172

BODY

5. Removal of rear door glass subassembly
 - (1) Slide the rear door glass subassembly backward. Detach the roller of the rear door window regulator assembly from the rear door glass channel.
 - (2) Remove the rear door glass subassembly from the rear door.
6. Removal of rear door window regulator assembly
 - (1) Remove the rear door window regulator assembly by removing the three bolts.
 - (2) Remove the power window motor from the rear door window regulator assembly. (Power window-equipped vehicle only)
7. Remove the rear door glass outer weatherstrip.

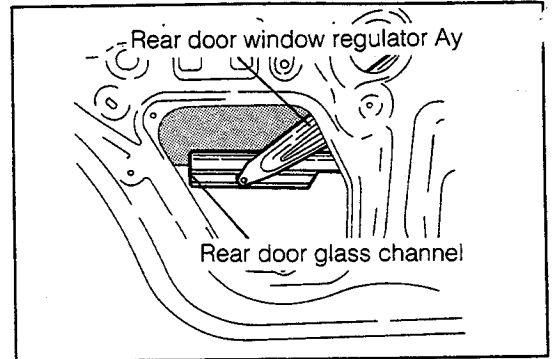


Fig. 9-160

WR-09173

6. Removal of rear door window regulator assembly
 - (1) Remove the rear door window regulator assembly by removing the three bolts.
 - (2) Remove the power window motor from the rear door window regulator assembly. (Power window-equipped vehicle only)
7. Remove the rear door glass outer weatherstrip.

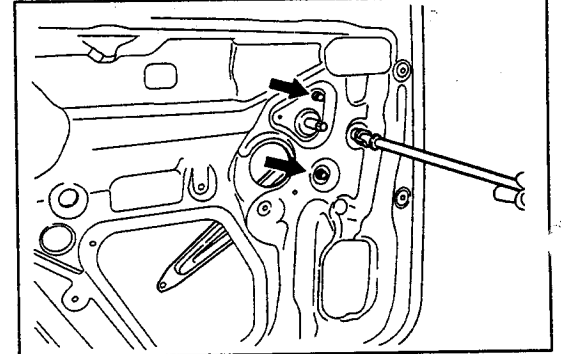


Fig. 9-161

WR-09174

INSTALLATION

1. Install the rear door glass outer weatherstrip.
2. Installation of rear door window regulator assembly
 - (1) Apply MP grease to the sliding sections.
 - (2) Install the power window motor in the rear door regulator assembly. (Power window-equipped vehicle only)
 - (3) Install the rear door window regulator assembly in the rear door. (See Fig. 9-161.)
3. Installation of rear door glass subassembly
 - (1) Apply soap water, etc. to the inner surface of the rear door glass filler. Install the glass filler in the glass channel.
 - (2) Install the rear door glass filler and channel in the rear door glass subassembly. (Install these parts by tapping them lightly with a wooden hammer or the like.)
4. Install the rear quarter glass and rear quarter glass weatherstrip.
5. Install the rear door window division bar subassembly.
6. Install the rear door glass weatherstrip.
7. Install the rear door trim board-related parts. (See Fig. 9-48.)

Grease applying points

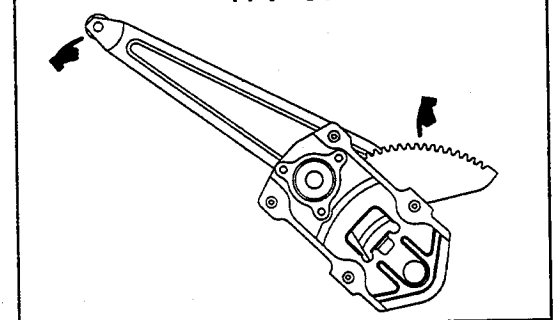


Fig. 9-162

WR-09175

3. Installation of rear door glass subassembly
 - (1) Apply soap water, etc. to the inner surface of the rear door glass filler. Install the glass filler in the glass channel.
 - (2) Install the rear door glass filler and channel in the rear door glass subassembly. (Install these parts by tapping them lightly with a wooden hammer or the like.)

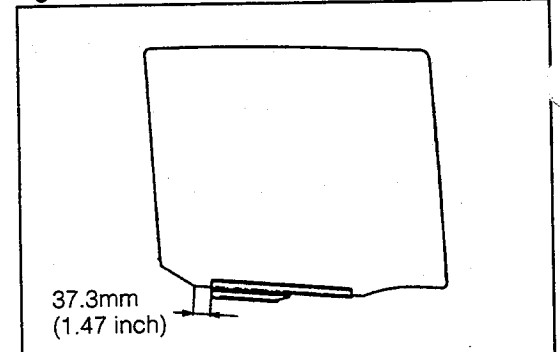


Fig. 9-163

WR-09176

4. Install the rear quarter glass and rear quarter glass weatherstrip.
5. Install the rear door window division bar subassembly.
6. Install the rear door glass weatherstrip.
7. Install the rear door trim board-related parts. (See Fig. 9-48.)

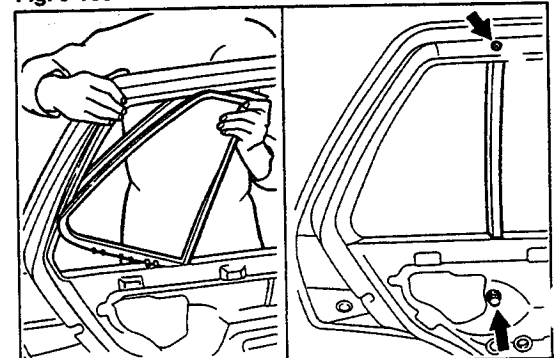


Fig. 9-164

WR-09177

BACK DOOR

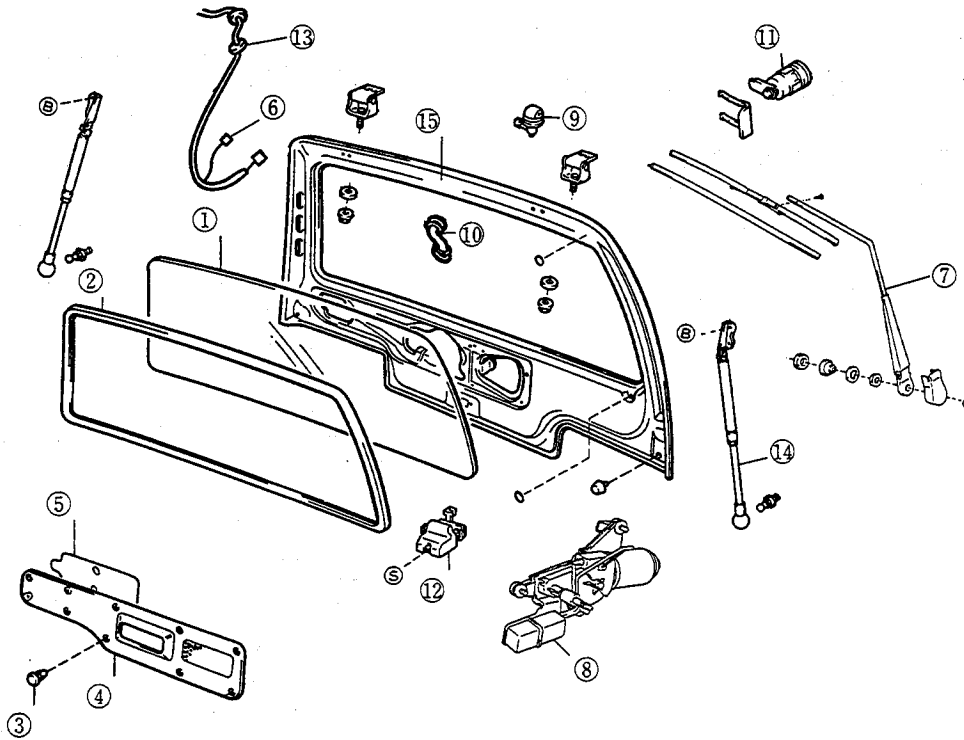
ARTICLE TO BE PREPARED

Lubricants and others

Adhesive tape, operation rope, non-drying window sealer and MP grease

WR-09178

COMPONENTS



- | | |
|--|--|
| ① Back door glass | ⑧ Rear wiper motor & bracket
(Rear wiper-equipped vehicle only) |
| ② Back door glass weatherstrip | ⑨ Rear washer nozzle Ay |
| ③ Clip | ⑩ Hose & grommet |
| ④ Back door trim board | ⑪ Back door lock cylinder |
| ⑤ Back door service hole cover S/A | ⑫ Back door lock Ay |
| ⑥ Coupler for defogger
(Defogger-equipped vehicle only) | ⑬ Harness & grommet |
| ⑦ Rear wiper arm
(Rear wiper-equipped vehicle only) | ⑭ Back door stay Ay |
| | ⑮ Back door panel |

Fig. 9-165

WR-09179

REMOVAL

1. Remove the rear wiper arm attaching nut. Detach the rear wiper arm. (Rear wiper-equipped vehicle only)
2. Disconnect the couplers for defogger use at two points.
3. Remove the rear spoiler. (See page 9-36.)
4. Remove the back door glass and weatherstrip. (See page 9-29.)

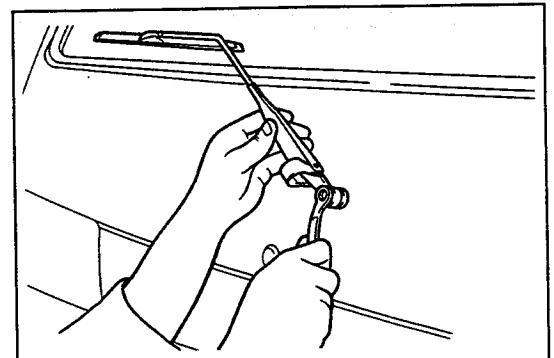


Fig. 9-166

WR-09180

BODY

5. Removal of back door trim board

- (1) Detach the back door trim board by removing the 10 clips. To remove the clip, push its central part.

NOTE:

Be very careful not to push the central part of the clip too strongly. Application of excessive force may drop the clip.

- (2) Detach the back door service hole cover sub-assembly.

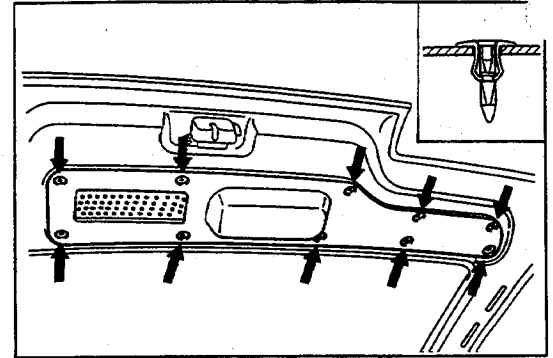


Fig. 9-167

WR-09181

6. Remove the rear wiper motor and bracket assembly as follows:

- (1) Working from the outside of the back door, remove the boot, nut, spacer and bush.
- (2) Working from the inside of the back door, disconnect the coupler, using a piece of wire.
- (3) Remove the rear wiper motor and bracket assembly by removing the three bolts.

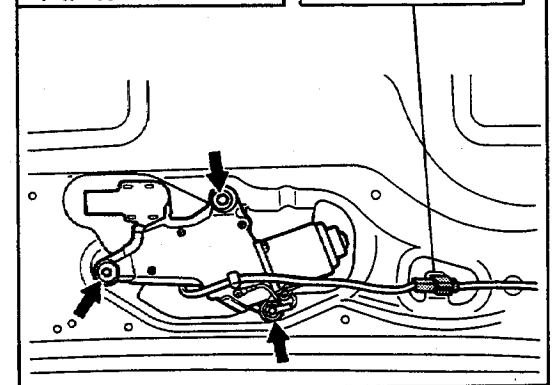
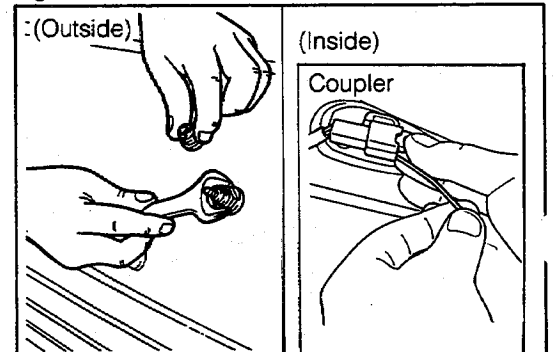


Fig. 9-168

WR-09182

7. Removal of rear washer nozzle assembly

- (1) Remove the rear washer nozzle assembly. Detach the hose from the nozzle assembly.
- (2) Remove the hose and grommet from the back door.

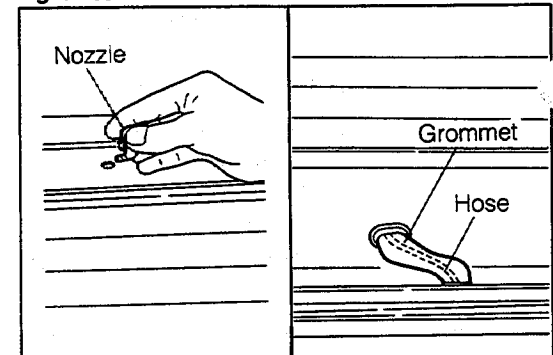


Fig. 9-169

WR-09183

8. Detach the clip and remove the back door lock cylinder.

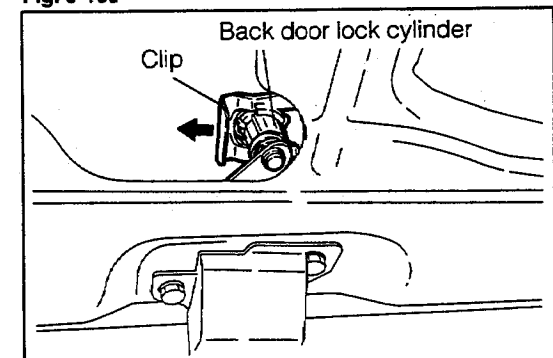


Fig. 9-170

WR-09184

9. Remove the harness and grommet from the back door.

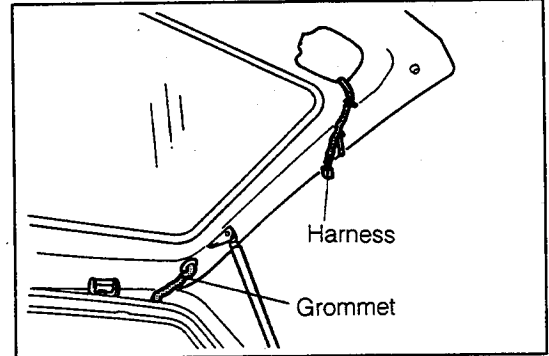


Fig. 9-171

WR-09185

10. Remove the back door lock assembly.

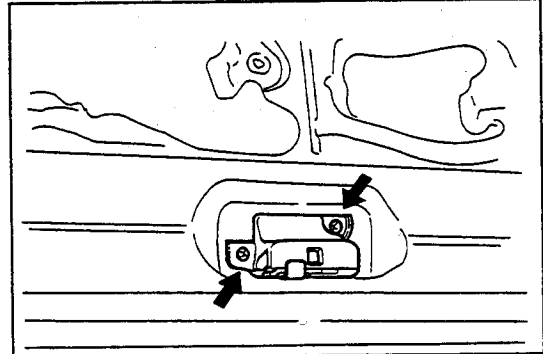


Fig. 9-172

WR-09186

11. Remove the back door stay assembly as follows:
 (1) Detach the attaching section at the body side.

NOTE:

Be sure to protect the body surface by means of adhesive tape or like, as indicated in the right figure.

(2) Remove the back door stay assembly by removing the two attaching bolts at the back door side.

NOTE:

- Never attempt to disassemble the door stay assembly, for the cylinder is filled with high-pressure gas.
- After the damper stay has been replaced, be certain to discharge the high-pressure gas from it, by making a 2 to 3 mm dia. hole at the bottom of the cylinder of the removed damper stay.
 (The discharging gas is colorless, odorless and non-poisonous. However, be very careful as to drilled metal chips being blown off.)
- Utmost caution must be exercised as to the handling of the damper stay. Never let scratch, paint or oil get to the exposed section of the piston rod.
- When the damper stay is in an extended state, be sure not to turn the piston rod or the cylinder.

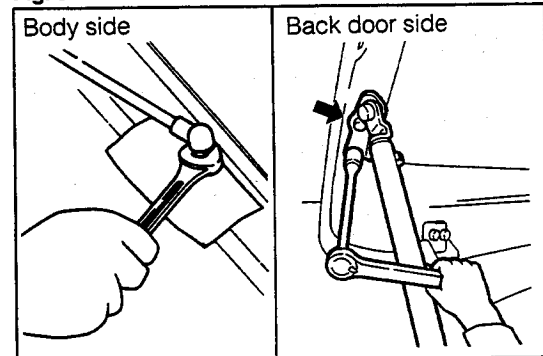


Fig. 9-173

WR-09187

12. Removal of back door panel

- (1) Detach the rear section of the roof headlining.
- (2) Working from the vehicle interior, remove the back door panel from the vehicle by removing the two attaching nuts (a) of the back door panel.

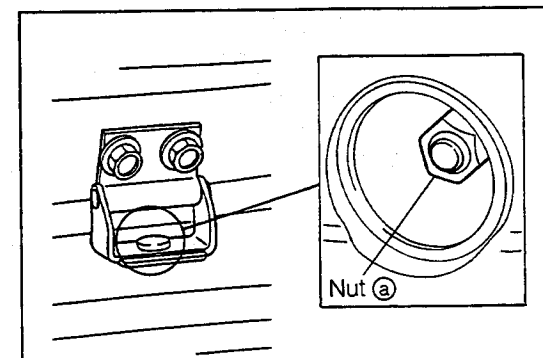


Fig. 9-174

WR-09188

BODY

INSTALLATION

1. Install the back door panel on the body.
2. Install the back door stay.
3. Install the back door lock assembly.
4. Install the harness and grommet.

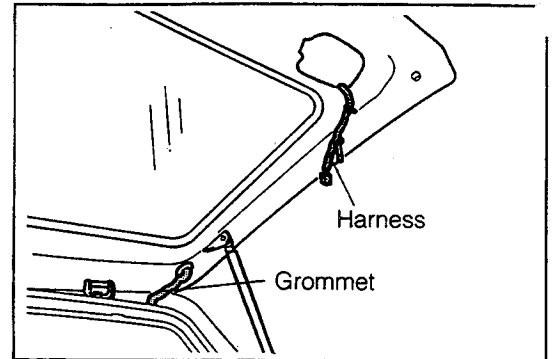


Fig. 9-175

WR-09189

5. Place the back door lock cylinder on the back door. Secure the lock cylinder with the clip.
6. Installation of rear washer nozzle
 - (1) Attach the washer hose to the rear washer nozzle. Attach the rear washer nozzle to the back door.
 - (2) Install the grommet.

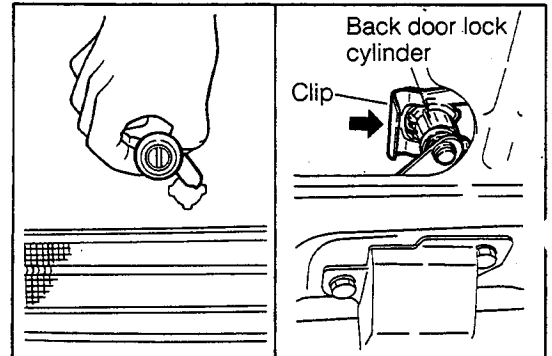


Fig. 9-176

WR-09190

7. Install the rear wiper motor and bracket assembly as follows:
 - (1) Install the rear wiper motor and bracket assembly, using the three bolts.
 - (2) Connect the coupler.
 - (3) Working from the outside, install the bush, spacer, nut and boot.

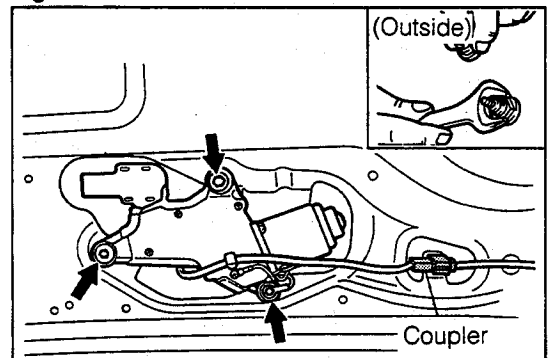


Fig. 9-177

WR-09191

8. Installation of back door trim board
 - (1) Affix butyl tape on the position specified in the right figure. Install the back door service hole cover sub-assembly.

NOTE:

Replace the service hole cover if it exhibits rupture.

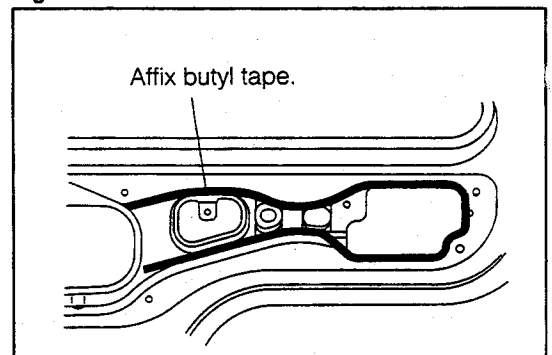


Fig. 9-178

WR-09192

- (2) Attach the back door trim board using the 10 clips. With the central part of the clip pulled out, set the clip on the trim. Push the central part of the clip so that the clip may retain the trim.

9. Install the back door glass and weatherstrip. (See page 9-30.)
10. Install the rear spoiler. (See page 9-37.)

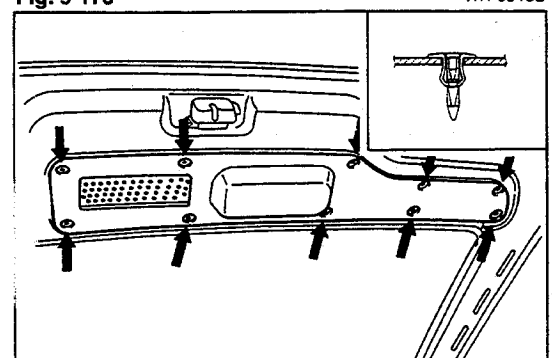


Fig. 9-179

WR-09193

11. Connect the coupler for defogger use at two points.
12. Installation of rear wiper
 - (1) Install the battery terminals. Operate the wiper motor, until it assumes the automatic stopping position.
 - (2) Attach the rear wiper arm so that it may align with the lowest line of the defogger pattern.

Installation position:

Lowest line of pattern ± 5 mm (± 0.2 inch)

- (3) Install the wiper link cap.

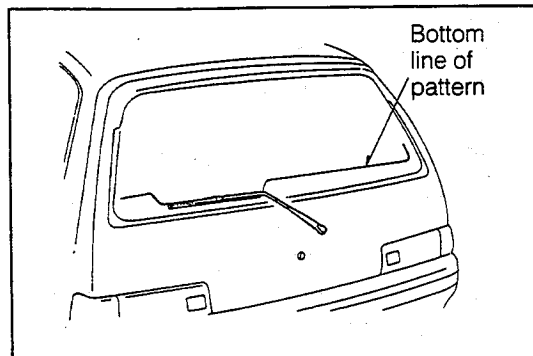
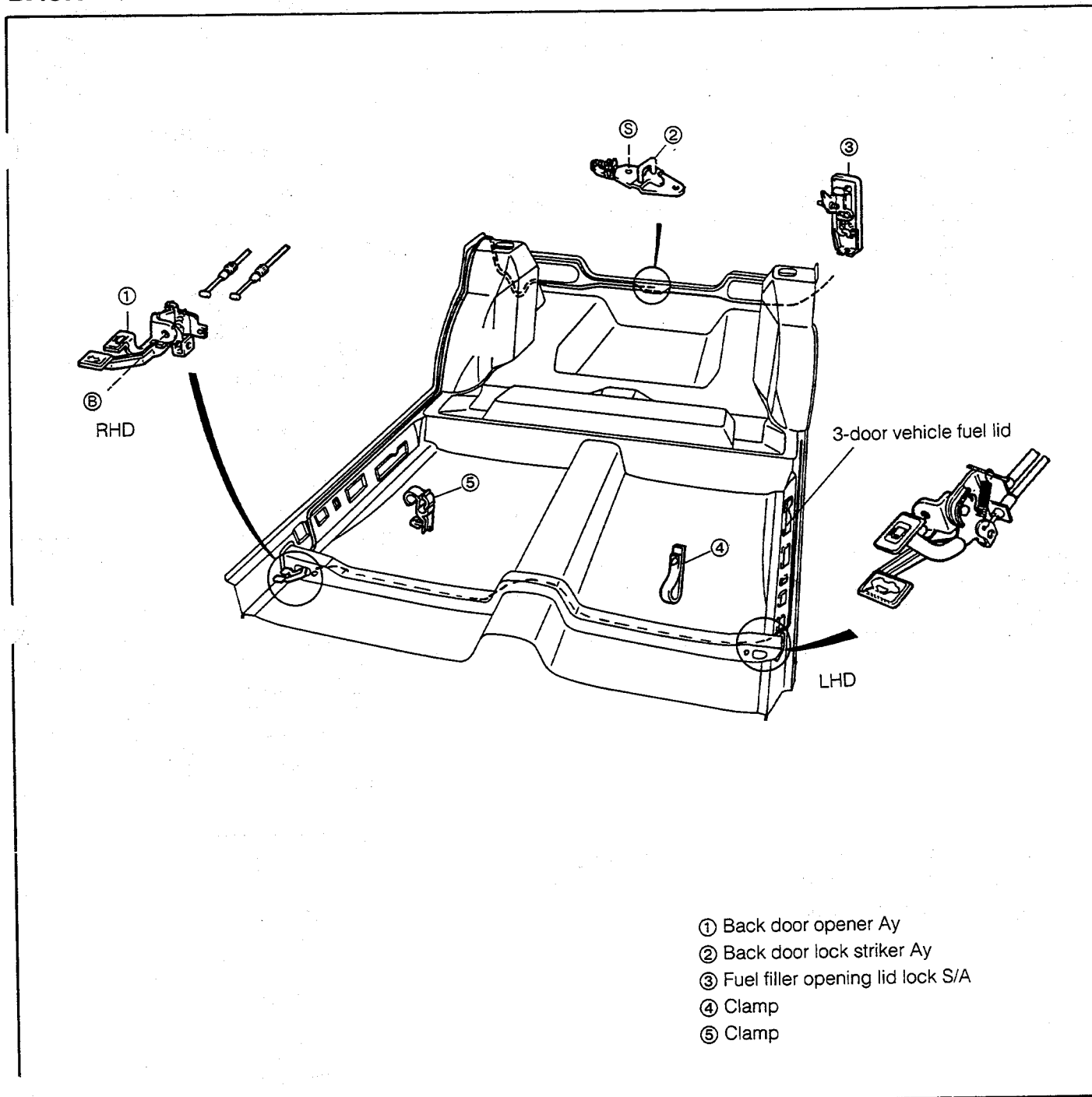


Fig. 9-180

WR-09194

BACK DOOR OPENER AND FUEL LID OPENER



- ① Back door opener Ay
- ② Back door lock striker Ay
- ③ Fuel filler opening lid lock S/A
- ④ Clamp
- ⑤ Clamp

Fig. 9-181

WR-09195

BODY

REMOVAL

1. Remove the front seat.
2. Remove the rear seat.
3. Remove the trim-related parts.

(3-door model fuel lid opener)

Remove the front door scuff plate at the left side. Remove the quarter trim at the right side.

(3-door model back door opener)

Remove the front door scuff plate at the right side, the package tray side trim at the right side, the quarter trim at the right side, the deck side trim at the right side and lower deck trim.

(5-door model fuel lid opener)

Remove the front door scuff plate at the right side, the rear door scuff plate at the right side, the package tray side trim at the right and left sides, the quarter wheel house cover at the right side, the deck side trim at the right and left sides and the lower deck trim.

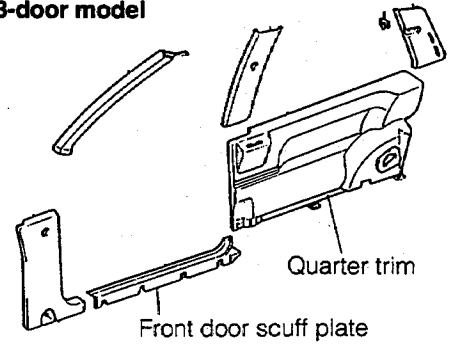
(5-door model back door opener)

Remove the front door scuff plate at the right side, the rear door scuff plate at the right side, the package tray side trim at the right side, the quarter wheel house cover at the right side, the deck side trim at the right side and the lower deck trim.

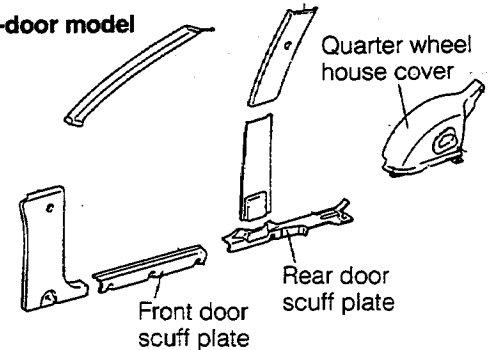
4. Remove the back door opener assembly as follows:
 - (1) Remove the attaching bolt. Remove the back door opener assembly.
 - (2) Detach the spring. Remove the cable.

5. Removal of fuel filter opening lid lock subassembly
 - (1) Remove the fuel filler opening lid lock subassembly.
 - (2) Detach the fuel lid cable.

3-door model



5-door model



Luggage compartment

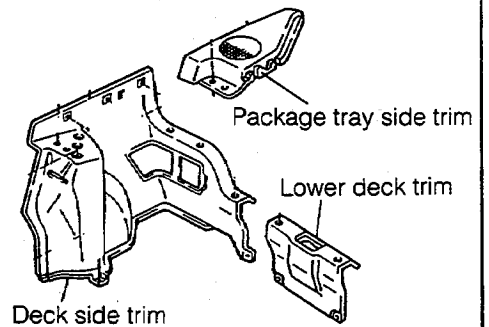


Fig. 9-182

WR-09196

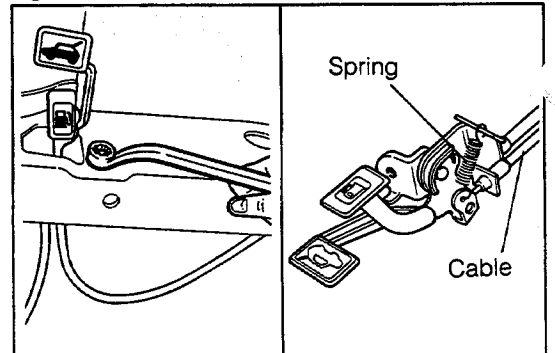


Fig. 9-183

WR-09197

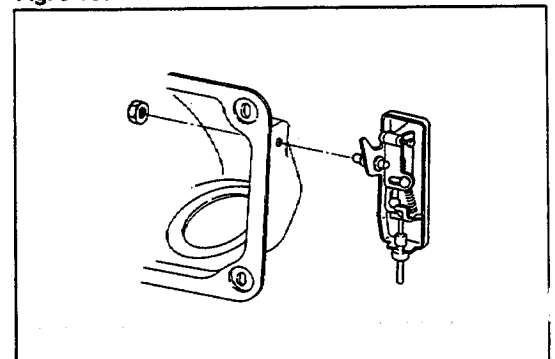


Fig. 9-184

WR-09198

- Removal of back door lock striker assembly
 - (1) Remove the back door lock striker assembly by removing the two bolts.
 - (2) Detach the back door cable.
7. Remove the fuel lid cable and back door cable.

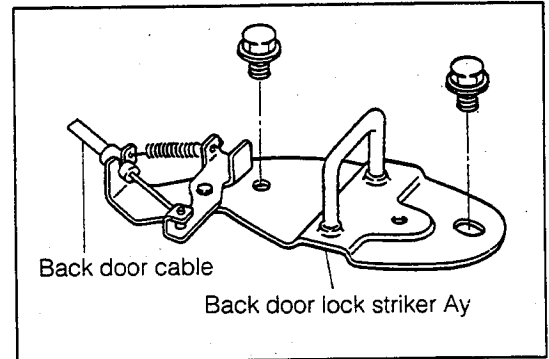


Fig. 9-185

WR-09199

INSTALLATION

1. Install the fuel lid cable and back door cable.

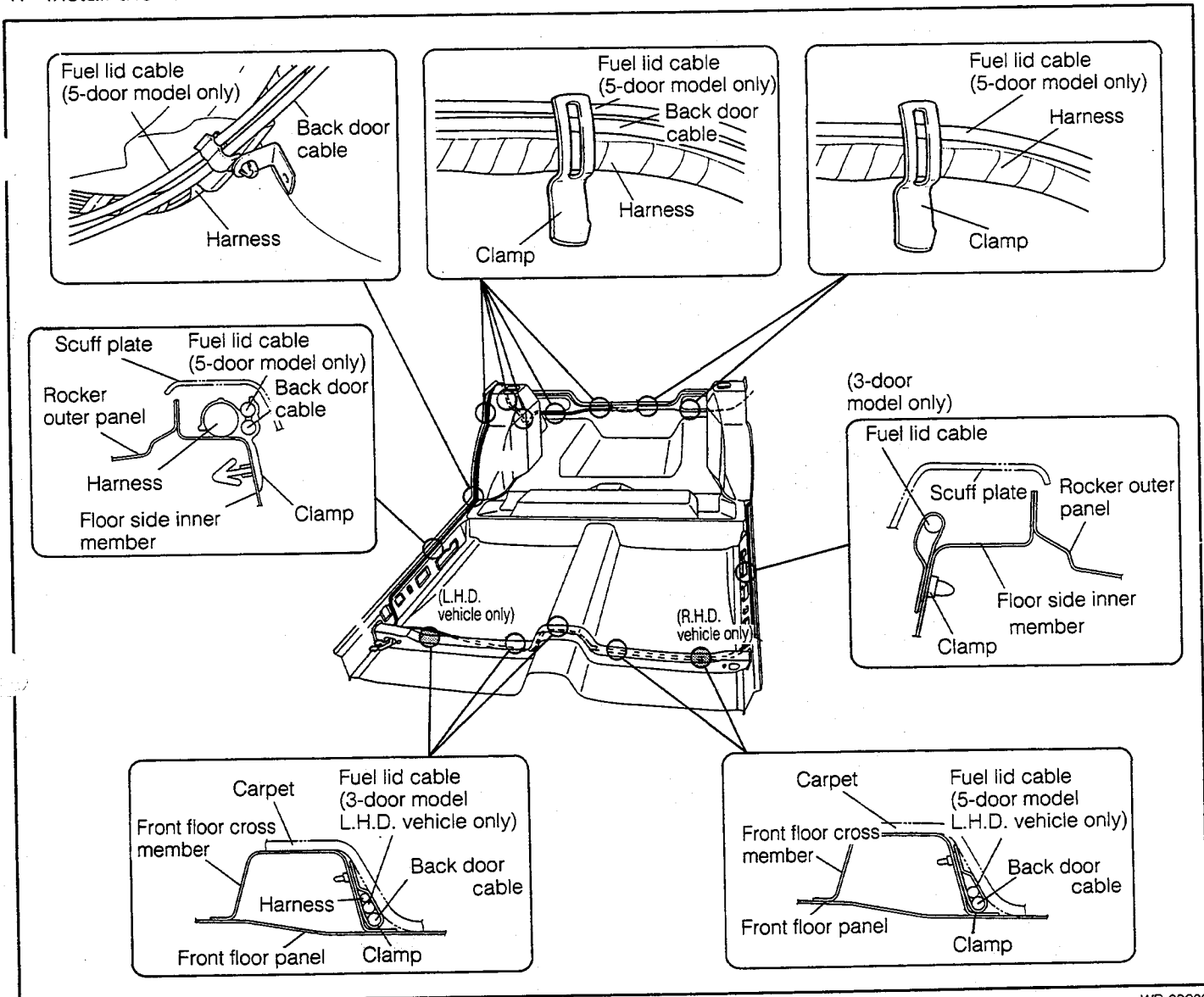


Fig. 9-186

WR-09200


- 2. Install the back door lock striker assembly.
- 3. Install the fuel filler opening lid lock subassembly. (Perform the operation check.)
- 4. Install the back door opener assembly. (Perform the operation check.)
- 5. Install the trim-related parts.
 - Install the rear seat.
 - Install the front seat.

WR-09201

BODY

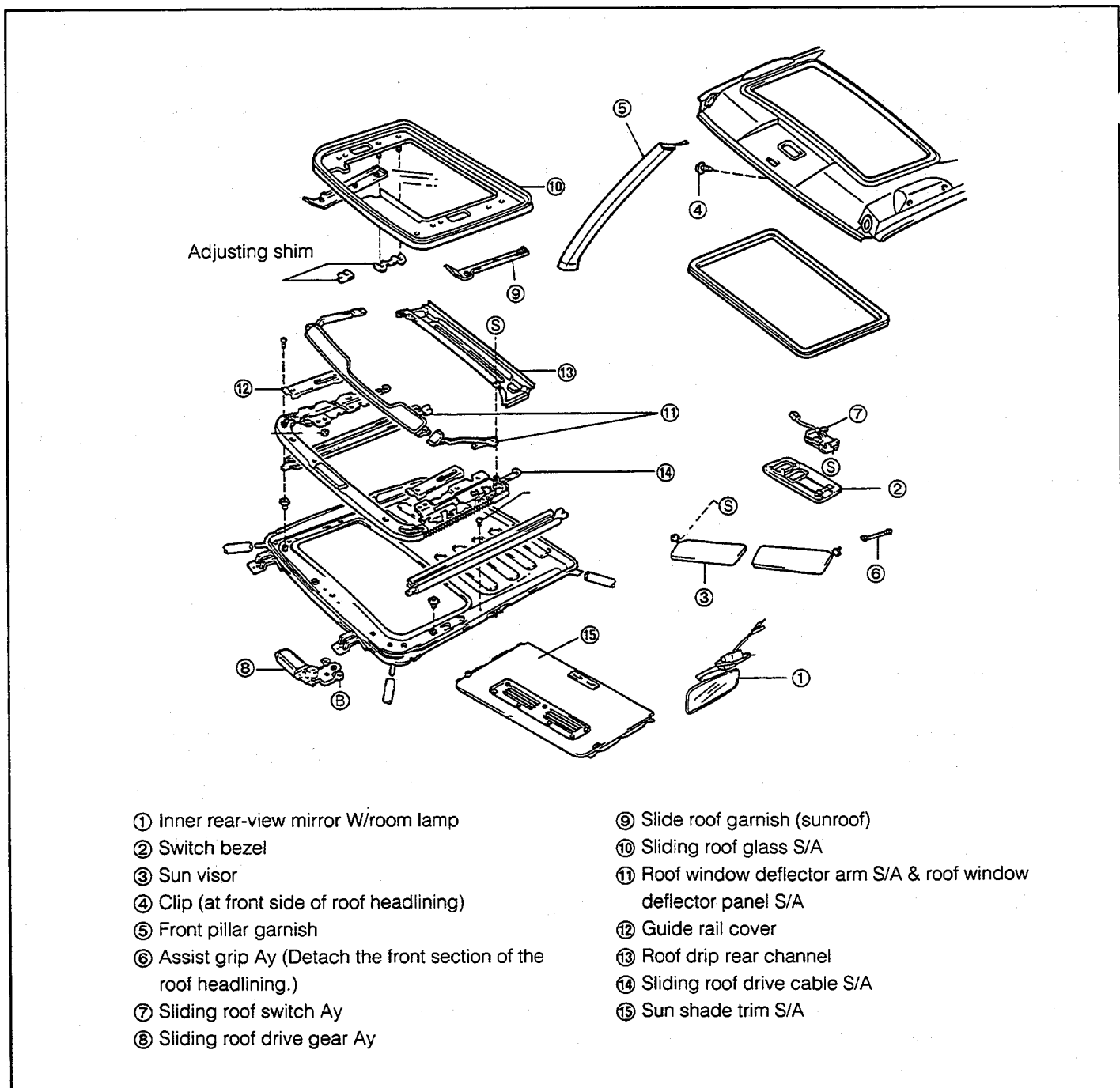
POWER GLASS SUNROOF WITH TILT-UP MECHANISM

ARTICLES TO BE PREPARED

Shape	Nomenclature and part number	Use
	Screwdriver type clip clamping tool by Banzai, Ltd.	For use in removing door trim
Lubricants and others	MP grease and butyl tape	

WR-09202

COMPONENTS



- ① Inner rear-view mirror W/room lamp
- ② Switch bezel
- ③ Sun visor
- ④ Clip (at front side of roof headlining)
- ⑤ Front pillar garnish
- ⑥ Assist grip Ay (Detach the front section of the roof headlining.)
- ⑦ Sliding roof switch Ay
- ⑧ Sliding roof drive gear Ay
- ⑨ Slide roof garnish (sunroof)
- ⑩ Sliding roof glass S/A
- ⑪ Roof window deflector arm S/A & roof window deflector panel S/A
- ⑫ Guide rail cover
- ⑬ Roof drip rear channel
- ⑭ Sliding roof drive cable S/A
- ⑮ Sun shade trim S/A

Fig. 9-187

WR-09203

REMOVAL

1. Open the sunroof fully.
2. Affix adhesive tape at the front side as well as at the right & left sides of the sunroof aperture.

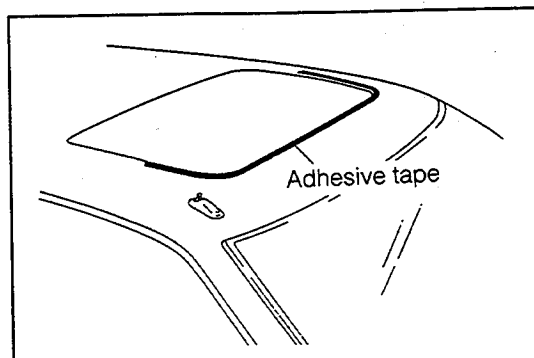


Fig. 9-188

WR-09204

3. Removal of front pillar garnish
 - (1) Disengage the fitting of the garnish by prying the clip section by means of a common screwdriver.
 - (2) Remove the front pillar garnish by pulling it upward.

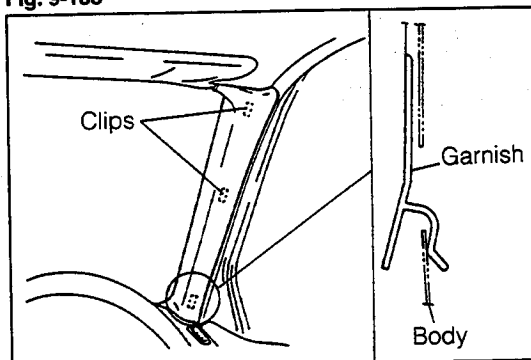


Fig. 9-189

WR-09205

4. Detach the front section of the roof headlining.
 - (1) Prior to the operations given below, disconnect the negative \ominus terminal of the battery.
 - (2) Remove the sun visor assembly.
 - (3) Remove the inner rear-view mirror with room lamp.
 - (4) Remove the switch bezel.
 - (5) Detach the sunroof opening trim molding.

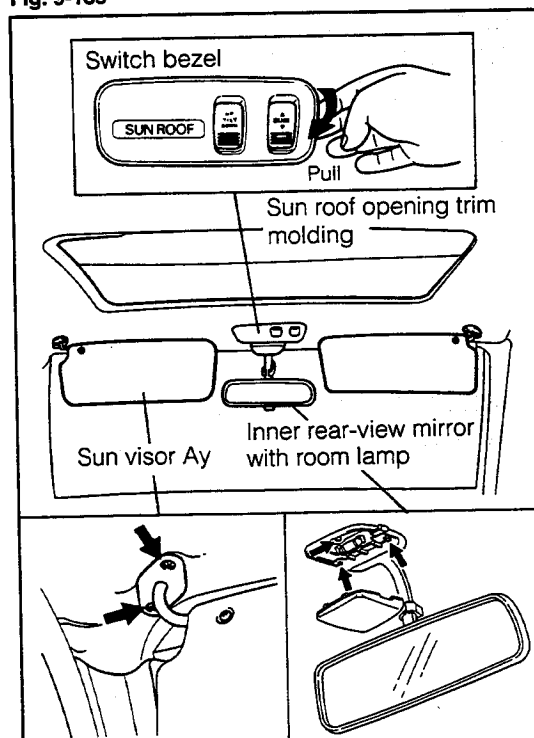


Fig. 9-190

WR-09206

- (6) Remove the assist grip assembly.
- (7) Remove the clip, using the clip removing tool.

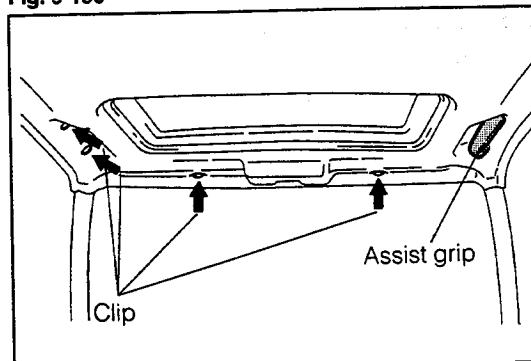


Fig. 9-191

WR-09207

BODY

5. Remove the sliding roof switch assembly by removing the two screws and coupler.
6. Remove the sliding roof drive gear assembly by removing the two bolts and coupler.

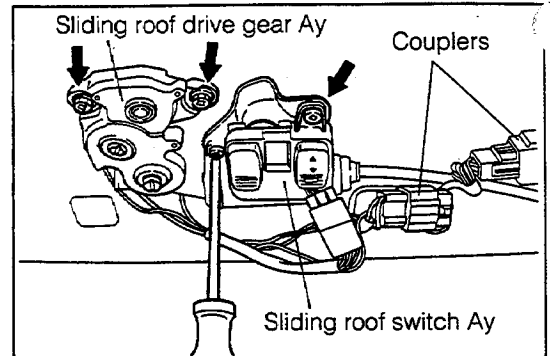


Fig. 9-192

WR-09208

7. Detach the sliding roof glass subassembly from the vehicle by removing the eight attaching nuts of the sliding roof glass subassembly.

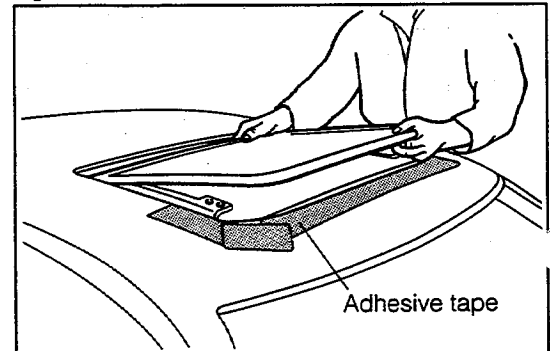


Fig. 9-193

WR-09209

8. Remove the roof window deflector arm subassembly and the roof window deflector panel subassembly by removing the four screws.

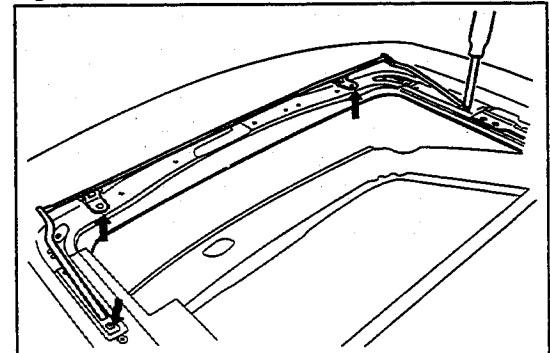


Fig. 9-194

WR-09210

9. Detach the guide rail cover by removing the screws, one each at the right and left sides.

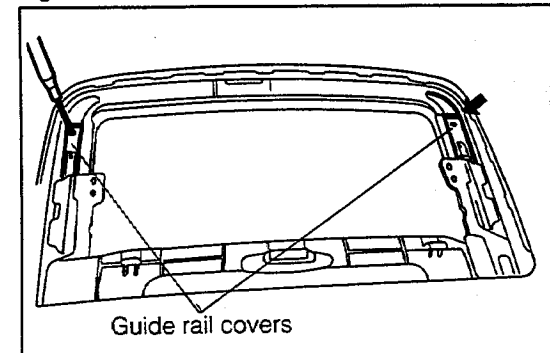


Fig. 9-195

WR-09211

10. Remove the roof drip rear channel by removing the two screws.

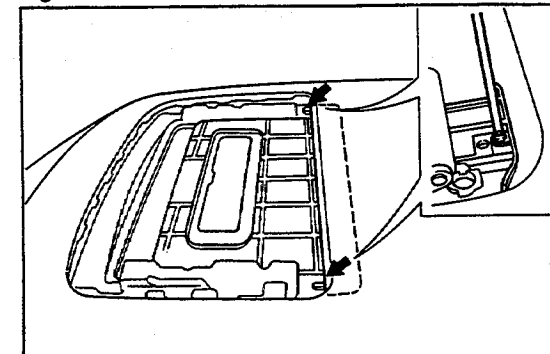


Fig. 9-196

WR-09212

11. Remove the sliding roof drive cable subassembly from the vehicle by removing the three screws.

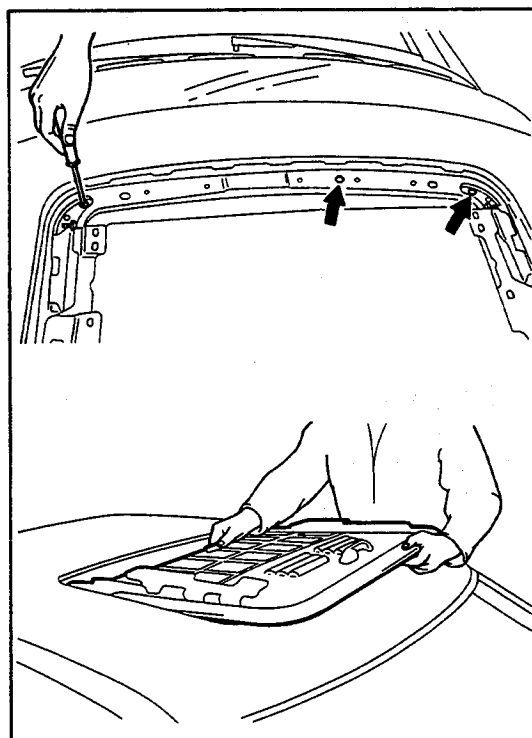


Fig. 9-197

WR-09213

12. Remove the sun shade trim subassembly from the back side of the sliding roof drive cable subassembly.

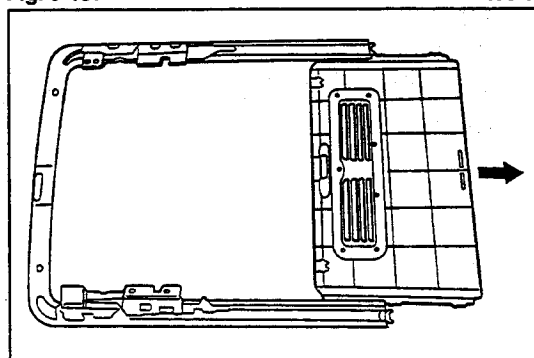


Fig. 9-198

WR-09214

INSTALLATION

1. Install the sun shade trim from the back side of the sliding roof drive cable subassembly.

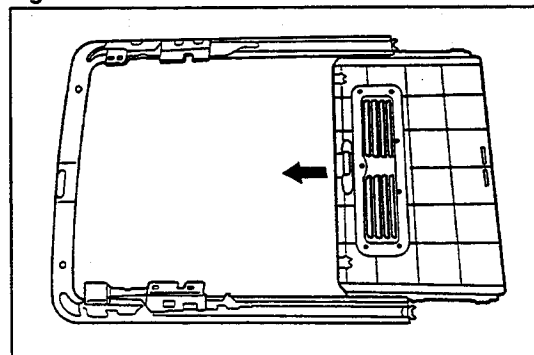


Fig. 9-199

WR-09215

2. Installation of sliding roof drive cable subassembly
 - (1) Align the link position with each other by inserting a pin or the like into the reference hole. Set the roof in a fully-closed state.
 - (2) Place the drive cable subassembly into position from the front side of the roof while holding the both sides of the rail by hands.

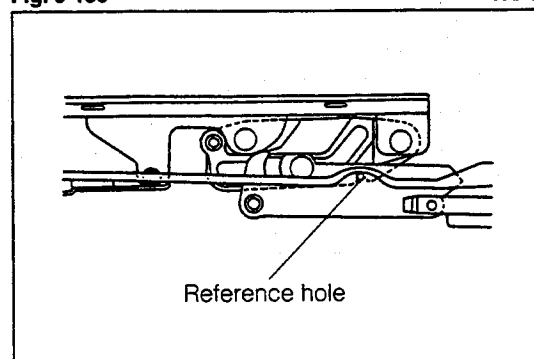


Fig. 9-200

WR-09216

BODY

- (3) Secure the sliding roof cable subassembly on the vehicle with the three screws.

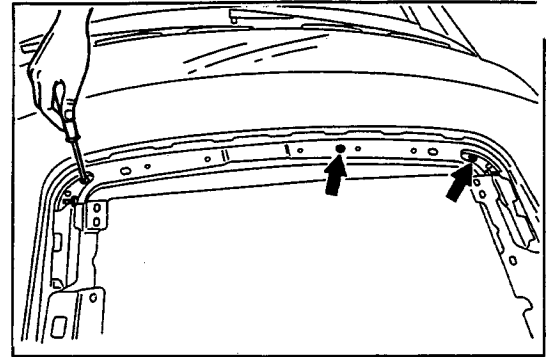


Fig. 9-201

WR-09217

3. Installation of roof drip rear channel

- (1) Align the channel with the claw section of the rail at the right and left sides.
- (2) Install the roof drip rear channel with the two screws.

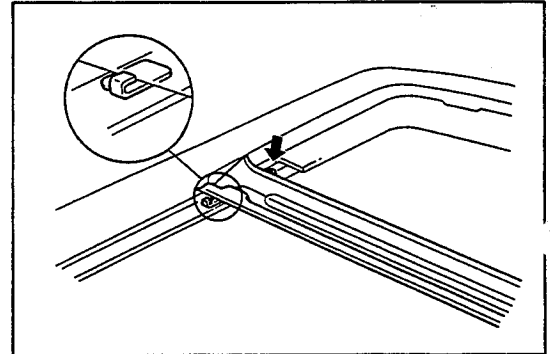


Fig. 9-202

WR-09218

4. Attach the guide rail cover.

5. Install the roof window deflector arm subassembly and the roof window deflector panel subassembly with the four screws.

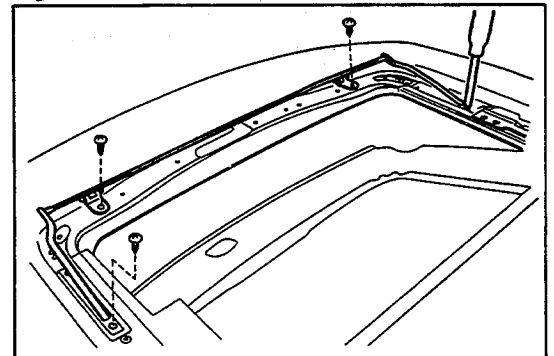


Fig. 9-203

WR-09219

6. Install the sliding roof glass subassembly with the eight nuts.

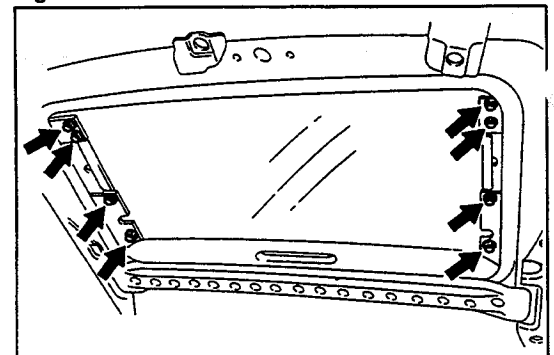


Fig. 9-204

WR-09220

7. Installation of sliding roof drive gear assembly

- (1) Remove the cover by removing the screws.
- (2) Turn the cam manually, until the punched marks on the housing and gear are aligned with each other so that the cam may be set to the fully-closed position.
- (3) Attach the cover.
- (4) Install the sliding roof drive gear assembly with the two bolts. Connect the coupler.

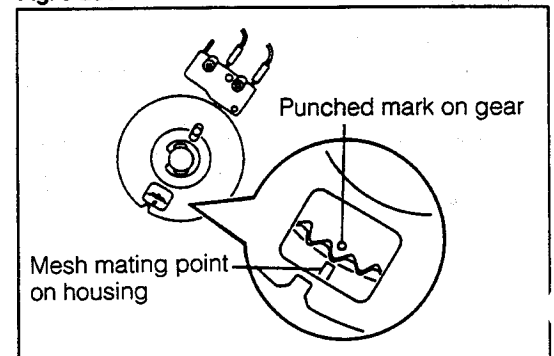


Fig. 9-205

WR-09221

Installation of sliding roof switch assembly

- (1) Install the sliding roof switch with the two screws. Connect the coupler.
- (2) Connect the negative \ominus terminal of the battery.
- (3) Check the sunroof for proper operation. Perform the alignment adjustment.

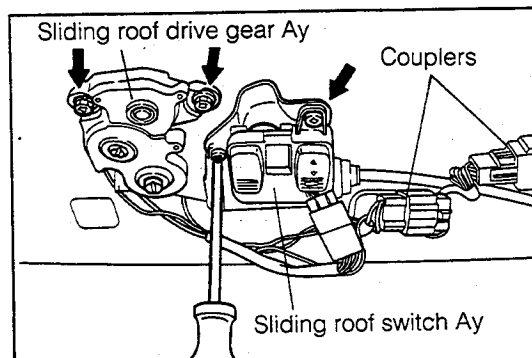


Fig. 9-206

WR-09222

9. Install the front section of the roof headlining.
 - (1) Install the clip and assist grip assembly.

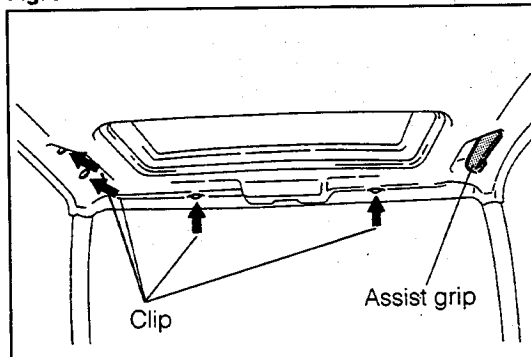


Fig. 9-207

WR-09223

- (2) Install the sun visor.
- (3) Install the inner rear-view mirror with room lamp.
- (4) Install the switch bezel.
- (5) Attach the sunroof opening trim molding.

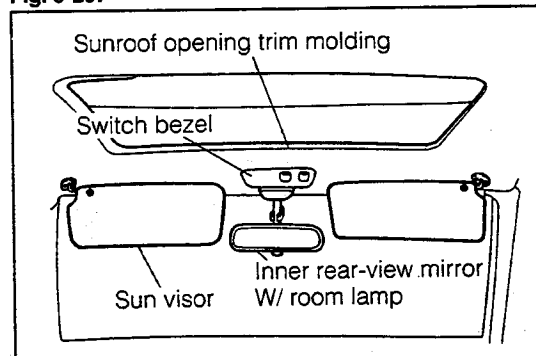


Fig. 9-208

WR-09224

10. Installation of front pillar garnish

- (1) Attach the hanger provided at the lower part of the front pillar garnish to the body.
- (2) Align the positions of the two clips. Attach the garnish by tapping the garnish lightly by hands.

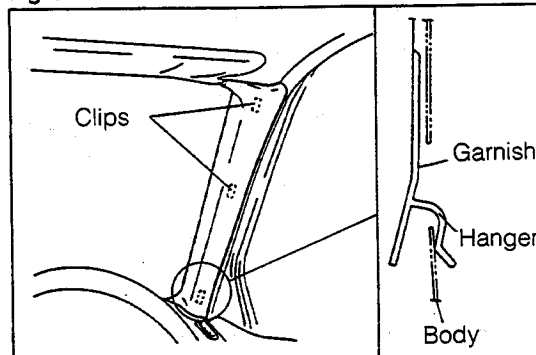


Fig. 9-209

WR-09225

BODY

ROOF DRIP MOLDING

ARTICLES TO BE PREPARED

	Nomenclature	Use
Lubricants and others	Sealant gun	For use in applying adhesive agent
	Alcohol	For use in cleaning installation surface of roof drip molding
	Cutter knife or the like	For use in separating roof drip molding
	* Beta seal 552 (adhesive agent) (Cartridge capacity 333 ml)	Adhesive agent for roof drip molding

* Handling of Beta seal 552

1. Be sure to store this sealant in a cold, dark place. Avoid moisture, (for it will harden quickly.)
2. Once it is opened (after the nozzle is cut off), it will harden in two or three days. It is, therefore, necessary to open it immediately prior to use.

INSTALLATION POSITION

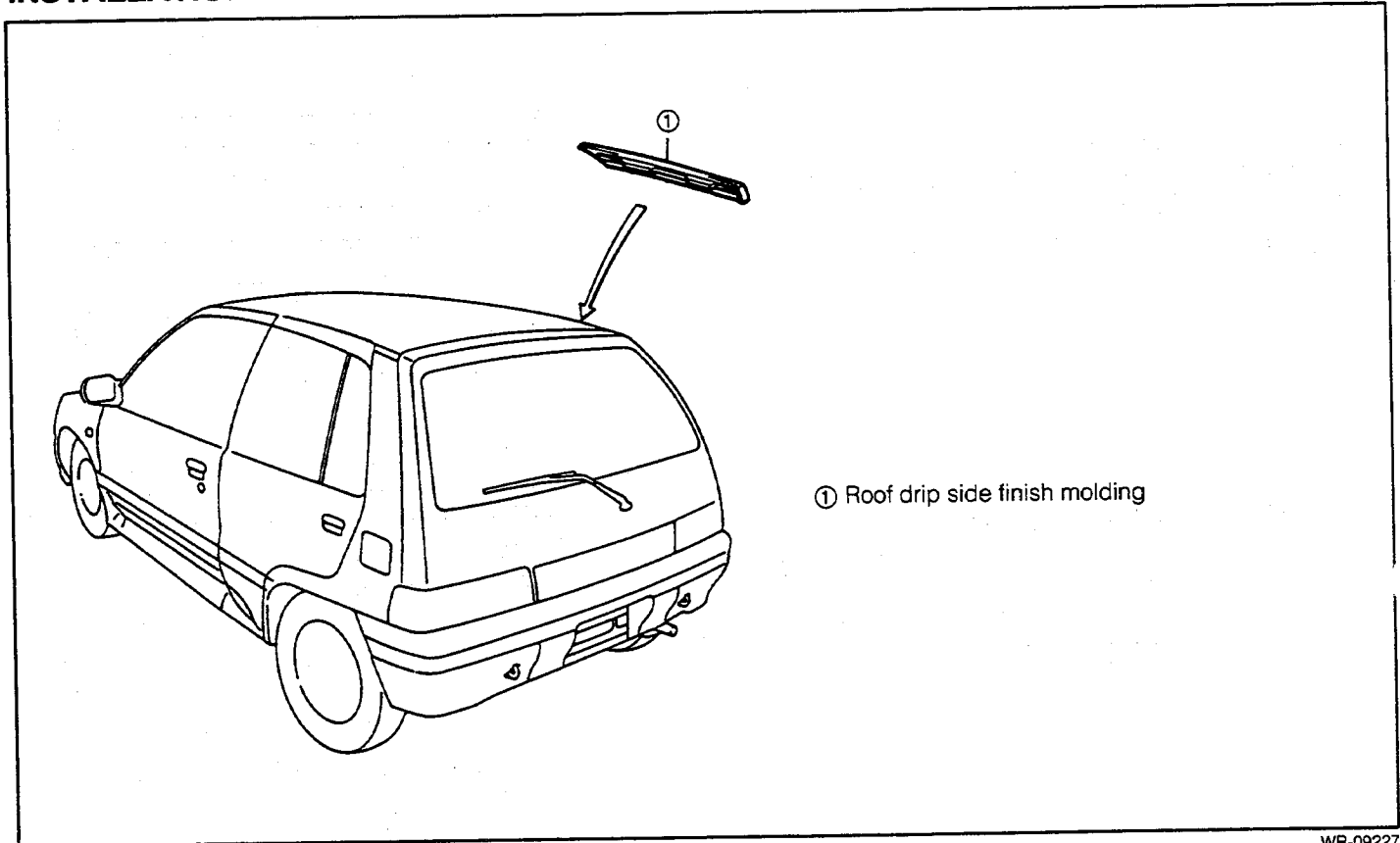


Fig. 9-210

WR-09227

REMOVAL

1. Detach the roof drip side finish molding by inserting a common screwdriver into the rear end of the molding.

NOTE:

When the molding is pried with a screwdriver, be very careful not to scratch the body.

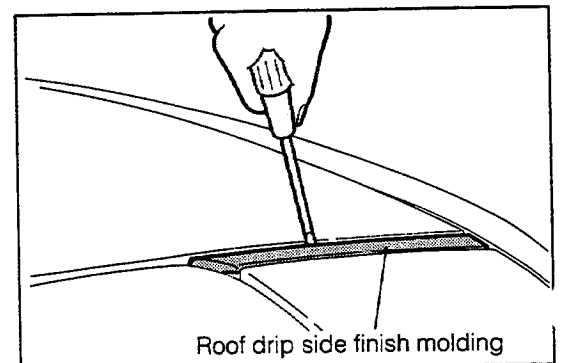


Fig. 9-211

WR-09228

INSTALLATION

1. Install the roof drip side finish molding.
 - (1) When a new finish molding is used, paint the molding to the same color as the vehicle body.
 - (2) Clean the body attaching surface using alcohol or white gasoline.
 - (3) Set the molding and clips in position. Peel off the lining paper.
 - (4) Heat the body attaching surface to 40 to 60°C.
 - (5) Apply the adhesive agent to the points indicated in the right figure. Install the finish molding by aligning it with the body.

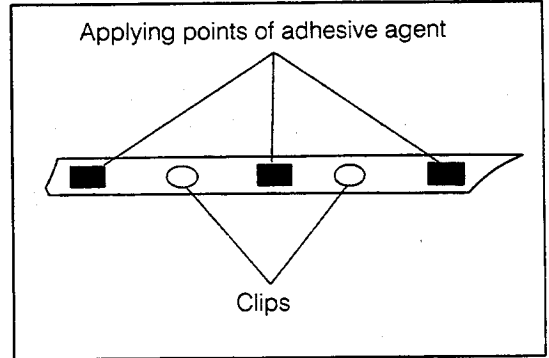
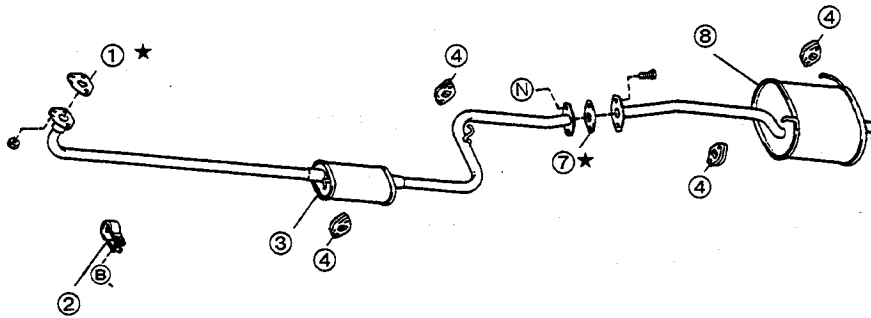


Fig. 9-212

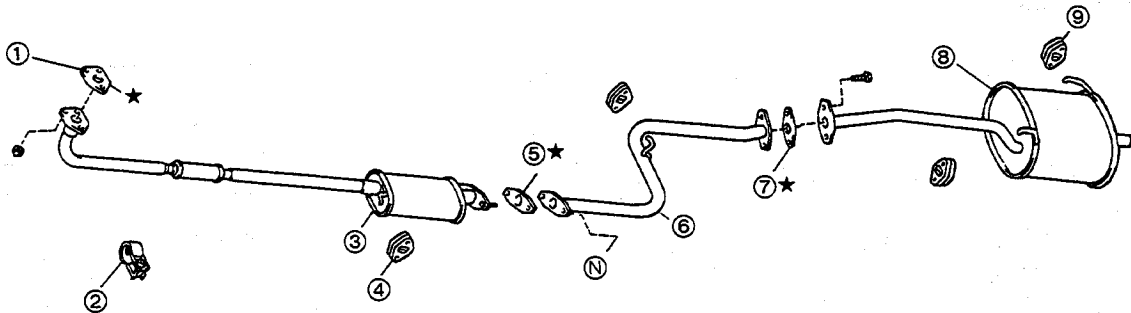
WR-09229

EXHAUST PIPE COMPONENTS

Gasoline-fueled vehicle



Diesel-powered vehicle



★ : Non-reusable parts

- ① Gasket
- ② Clamp
- ③ Exhaust front pipe
- ④ Exhaust pipe support

- ⑤ Gasket
- ⑥ Exhaust center pipe
- ⑦ Gasket
- ⑧ Exhaust tail pipe

Fig. 9-213

WR-09230

BODY

FRONT PIPE

REMOVAL

1. Jack up the vehicle and support it with safety stands.
2. Separate the front pipe from the exhaust manifold by removing the three nuts.
3. Separate the bracket support No.1 by removing one bolt.

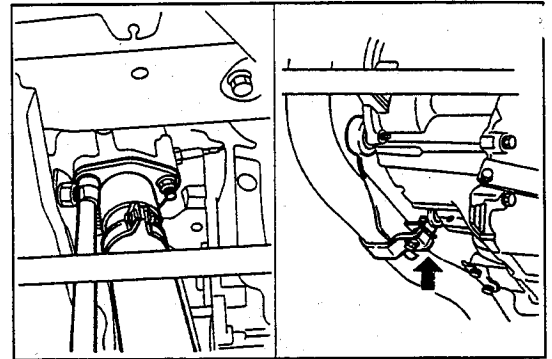


Fig. 9-214

WR-09231

4. Separate the tail pipe or the center pipe from the front pipe by removing the two nuts.
5. Separate the exhaust pipe support.
CB-23, CB-61 and CB-80 engines: Two points
CL-11 and CL-16 engines: One point

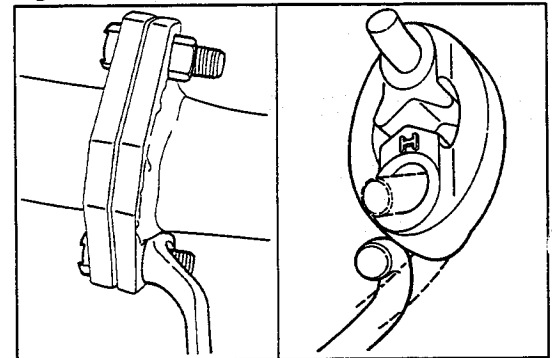


Fig. 9-215

WR-09232

INSTALLATION

1. With a new gasket interposed, connect the tail pipe or the center pipe to the front pipe by tightening the two nuts temporarily.
2. With a new gasket interposed, connect the front pipe to the exhaust manifold by tightening the two nuts temporarily.
3. Install the exhaust pipe support.
CB-23, CB-61 and CB-80 engines: Two points
CL-11 and CL-16 engines: One point

NOTE:

Replace any exhaust pipe support which exhibits damage.

4. Tighten the nuts attaching the tail pipe or the center pipe to the front pipe.
Tightening Torque: 4.0 - 6.0 kg-m (29 - 43 ft-lb)
5. Tighten the nuts attaching the front pipe to the exhaust manifold.
Tightening Torque: 4.0 - 6.0 kg-m (29 - 43 ft-lb)
6. Install the bracket support No.1.
Tightening Torque: 3.5 - 5.0 kg-m (25 - 36 ft-lb)
7. Remove the safety stands and jack down the vehicle.

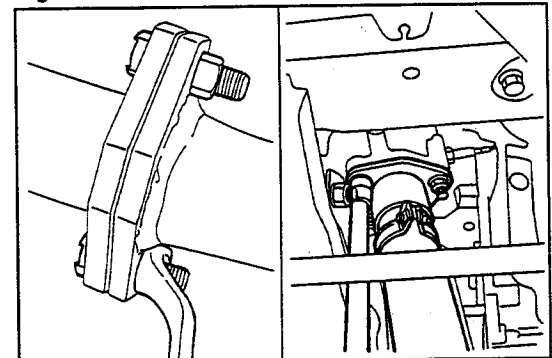


Fig. 9-216

WR-09233

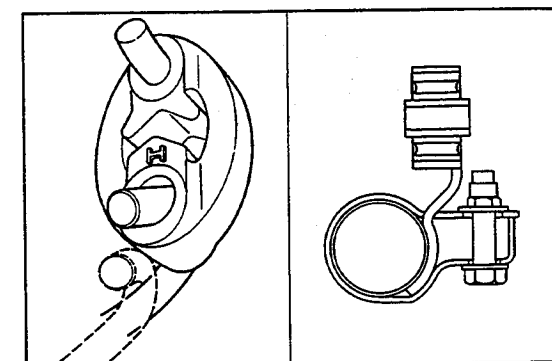


Fig. 9-217

WR-09234

CENTER PIPE (CL-11 and CL-61 Engines)

REMOVAL

1. Jack up the vehicle and support it with safety stands.
2. Separate the front pipe and tail pipe from the center pipe.
3. Remove the exhaust pipe support and take out the center pipe.

INSTALLATION

1. With new gaskets interposed, connect the front pipe and tail pipe to the center pipe by tightening the nuts temporarily.
2. Install the exhaust pipe support.
3. Tighten the center pipe attaching nuts.

Tightening Torque: 4.0 - 6.0 kg-m (39.8 - 43.4 ft-lb)

4. Remove the safety stands and jack down the vehicle.

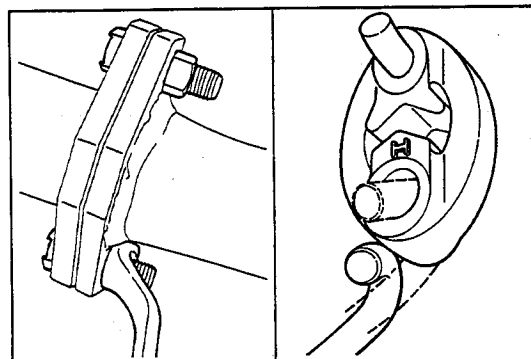


Fig. 9-218

WR-09235

TAIL PIPE

REMOVAL

1. Jack up the vehicle and support it with safety stands.
2. Separate the tail pipe from the front pipe or the center pipe.
3. Remove the two exhaust pipe supports.

INSTALLATION

1. With a new gasket interposed, connect the tail pipe to the front pipe or the center pipe by tightening the nuts temporarily.
2. Install the two exhaust pipe supports.
3. Tighten the tail pipe attaching nuts.

Tightening Torque: 4.0 - 6.0 kg-m (29 - 43 ft-lb)

4. Remove the safety stands and jack down the vehicle.

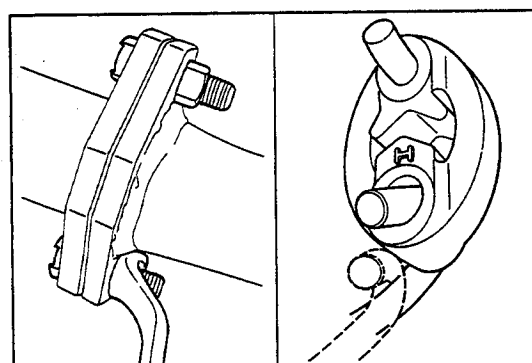


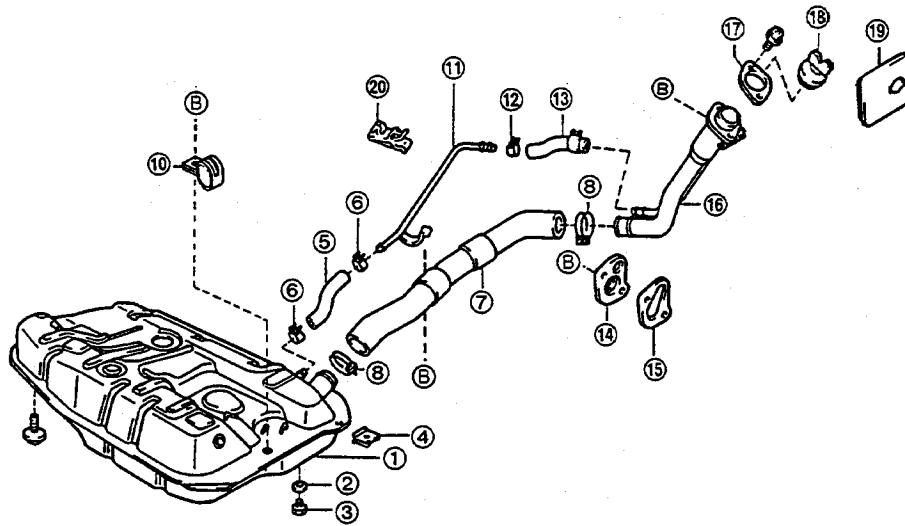
Fig. 9-219

WR-09236

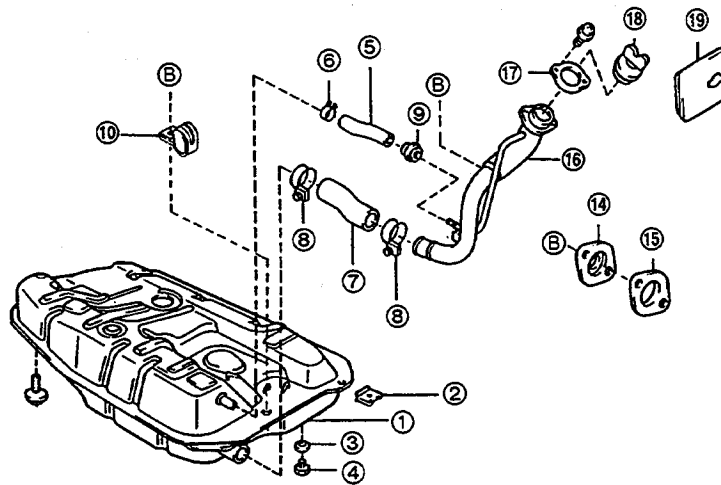
BODY

FUEL TANK COMPONENTS

3-door model



5-door model



- | | |
|----------------------------------|------------------------------------|
| ① Fuel tank Ay | ⑪ Breather tube |
| ② Fuel tank flange reinforcement | ⑫ Clip |
| ③ Gasket | ⑬ Fuel hose No.4 |
| ④ Drain plug | ⑭ Fuel inlet pipe seal lower plate |
| ⑤ Fuel hose No.5 | ⑮ Fuel inlet pipe lower plate |
| ⑥ Clip | ⑯ Fuel inlet pipe S/A |
| ⑦ Fuel tank sub inlet hose | ⑰ Fuel tank inlet pipe shield |
| ⑧ Clamp | ⑱ Fuel tank cap Ay |
| ⑨ Grommet | ⑲ Fuel filler opening lid S/A |
| ⑩ Clamp | ⑳ Clamp |

Fig. 9-220

WR-09237

FUEL INLET PIPE

3-Door Model

1. Drain the fuel from the fuel tank by removing the drain plug. After the fuel has been drained, install the drain plug.
2. Remove the rear seatback and seat cushion (fixed type only) (See page 9-101.)
3. Remove the quarter trim panel assembly at the left side.

WR-09238

4. Remove the two attaching screws of the fuel inlet pipe.

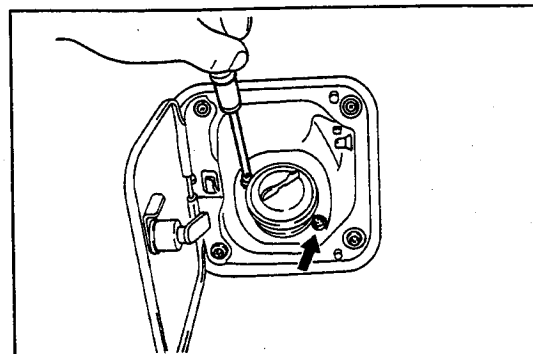


Fig. 9-221

WR-09239

5. Detach the clamp and separate the fuel tank subinlet hose.
6. Remove the fuel inlet pipe seal lower plate and the fuel inlet pipe lower seal by removing the two bolts.
7. Detach the clip and remove the breather hose.

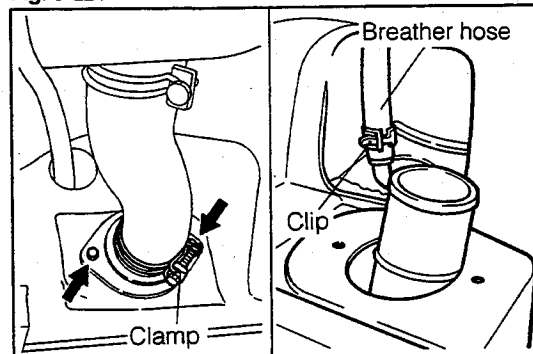


Fig. 9-222

WR-09240

8. Working from the vehicle interior, remove the fuel inlet pipe attaching bolt. Detach the fuel inlet pipe sub-assembly.
9. Detach the boot.

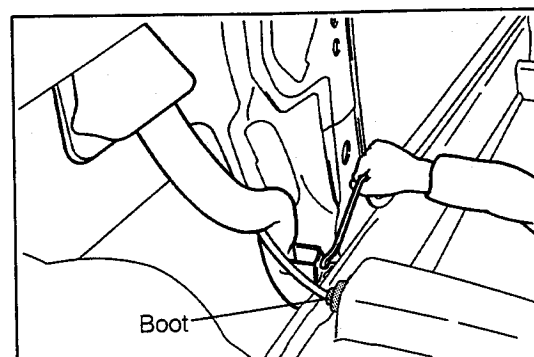


Fig. 9-223

WR-09241

INSTALLATION

1. Attach the boot. Set the fuel inlet pipe in the vehicle.
2. Install the fuel inlet pipe attaching bolt at the vehicle interior, using the four bolts.
3. Working from the outside, install the fuel inlet pipe, using the two attaching screws.

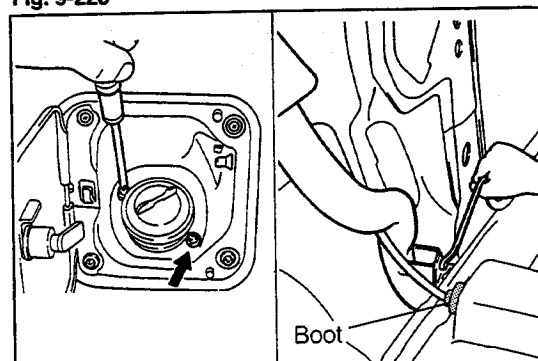


Fig. 9-224

WR-09242

BODY

4. Attach the breather hose to the fuel inlet pipe. Secure it with the clip.
5. Install the fuel inlet pipe seal lower plate and the fuel inlet pipe lower seal using the two bolts.
6. Attach the fuel tank subinlet hose to the fuel inlet pipe. Secure it with the clamp.
7. Install the quarter trim panel assembly.
8. Install the rear seatback and seat cushion.

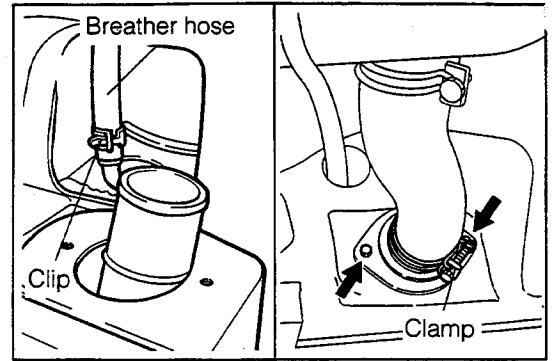


Fig. 9-225

WR-09243

5-Door Model

1. Drain the fuel from the fuel tank by removing the drain plug. After the fuel has been drained, install the drain plug.
2. Remove the rear seatback and seat cushion (fixed type only) (See page 9–101.)
3. Remove the package tray, package tray side trim, rear scuff plate, quarter wheel house and cover deck side trim.

WR-09244

4. Remove the fuel inlet box and fuel filler opening lid subassembly by removing the six screws.

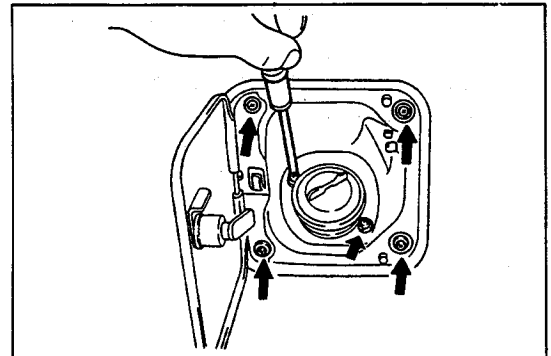


Fig. 9-226

WR-09245

5. Detach the clamp and separate the fuel tank subinlet hose.
6. Detach the clip and remove the breather hose.
7. Remove the fuel inlet pipe seal lower plate and the fuel inlet pipe lower seal by removing the two bolts.

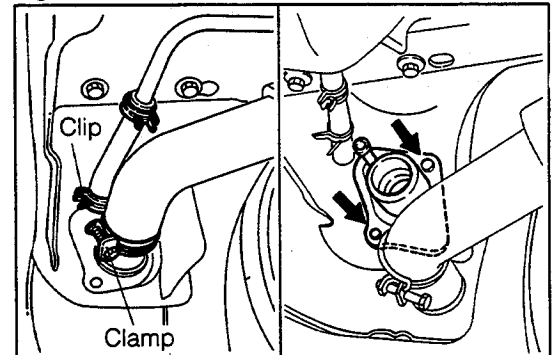


Fig. 9-227

WR-09246

8. Working from the vehicle interior, remove the three attaching bolts of the fuel inlet pipe subassembly. Detach the fuel inlet pipe subassembly.

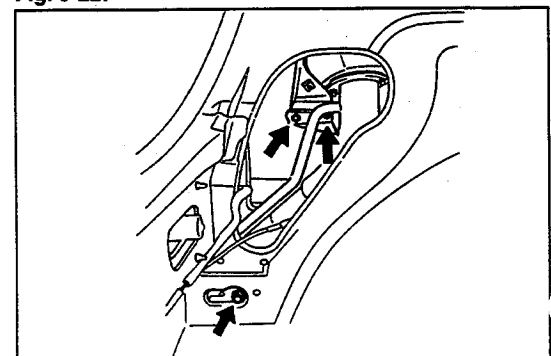


Fig. 9-228

WR-09247

INSTALLATION

1. Working from the vehicle interior, install the fuel inlet pipe subassembly with the three bolts.
2. Working from the outside, install the fuel inlet box and fuel filler opening lid subassembly with the six screws.

3. Install the fuel inlet pipe seal lower plate and the fuel inlet pipe lower seal, using the two bolts.
4. Attach the breather hose to the fuel inlet pipe subassembly. Secure it with the clip.
5. Install the fuel tank subinlet hose. Secure it with the clamp.
6. Install the cover deck side trim, quarter wheel house, rear scuff plate, package tray side trim and package tray.
7. Install the rear seatback and seat cushion.

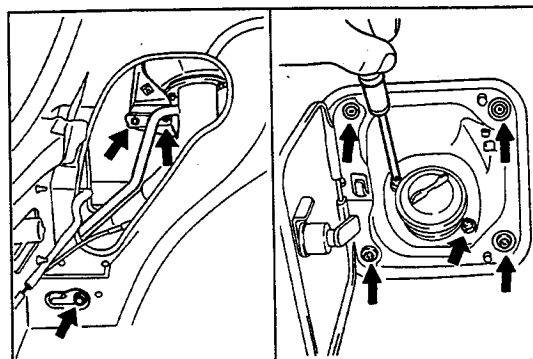


Fig. 9-229

WR-09248

3. Install the fuel inlet pipe seal lower plate and the fuel inlet pipe lower seal, using the two bolts.
4. Attach the breather hose to the fuel inlet pipe subassembly. Secure it with the clip.
5. Install the fuel tank subinlet hose. Secure it with the clamp.
6. Install the cover deck side trim, quarter wheel house, rear scuff plate, package tray side trim and package tray.
7. Install the rear seatback and seat cushion.

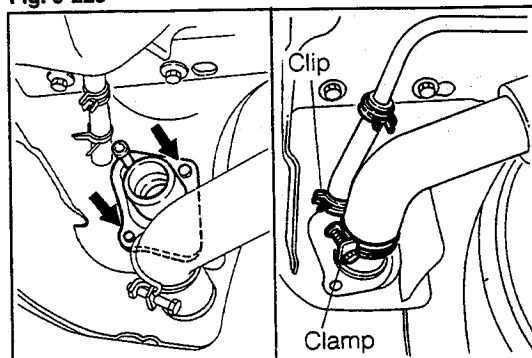


Fig. 9-230

WR-09249

FUEL TANK

REMOVAL

1. Jack up the vehicle and support it with safety stands.
2. Drain the fuel from the fuel tank by removing the drain plug. After the fuel has been drained, install the drain plug.
3. Removal of fuel sender gauge and fuel pump connector

WR-09250

- (1) Remove the rear seat.
- (2) Detach the rear quarter trim at the right side. (3-door model)
- (3) Detach the rear scuff plate at the right/rear side. (5-door model)
- (4) Disconnect the connector. Take out the connector together with the grommet to the vehicle exterior.

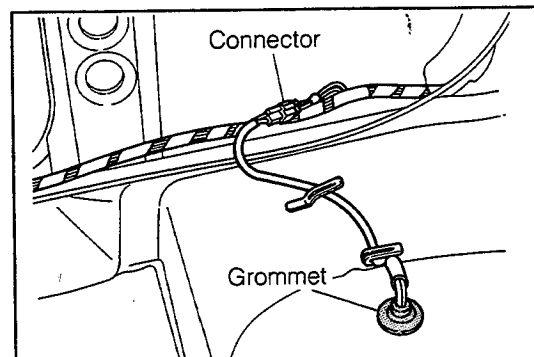


Fig. 9-231

WR-09251

4. Removal of fuel tank subinlet hose and breather hose

3-Door Model

- (1) Detach the clamp. Remove the fuel tank subinlet hose.
- (2) Detach the clip. Remove the breather hose.

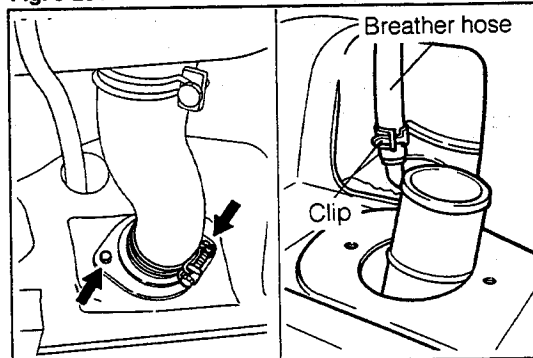


Fig. 9-232

WR-09252

BODY

5-Door Model

- (1) Detach the clamp. Remove the fuel tank subinlet hose.
- (2) Detach the clip and hose from both ends of the breather pipe.
- (3) Remove the breather pipe by removing its attaching bolt.

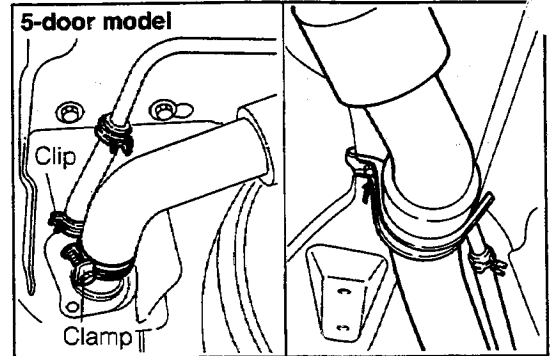


Fig. 9-233

WR-09253

5. Removal of fuel hose

- (1) Disconnect the main fuel hose.
- (2) Disconnect the return fuel hose.
- (3) Disconnect the fuel hose for emission control.

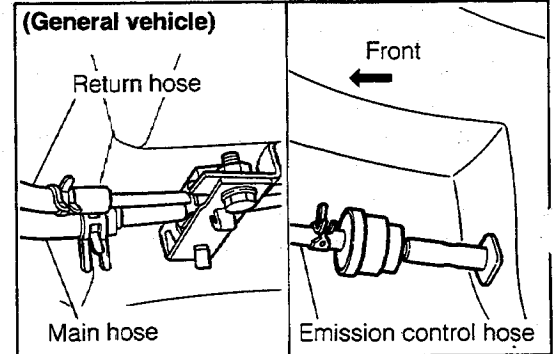


Fig. 9-234

WR-09254

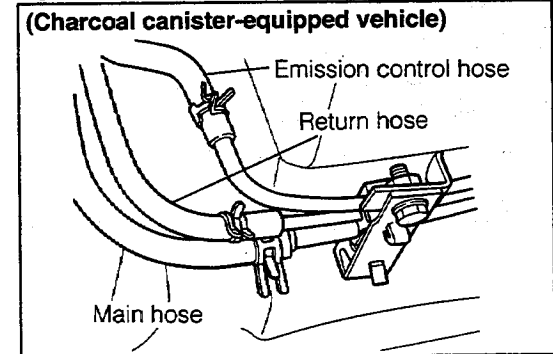


Fig. 9-235

WR-09255

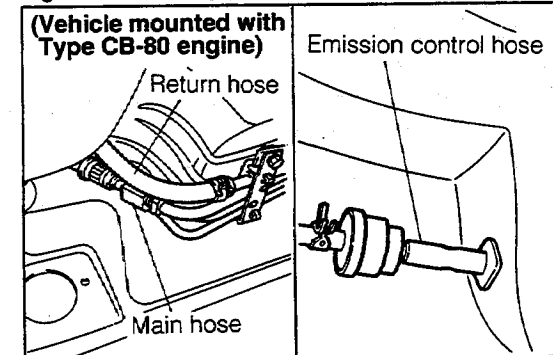


Fig. 9-236

WR-09256

6. Removal of fuel tank assembly

- (1) Support the fuel tank assembly with a jack.
- (2) Remove the four attaching bolts of the fuel tank.
- (3) Remove the fuel tank assembly from the vehicle.

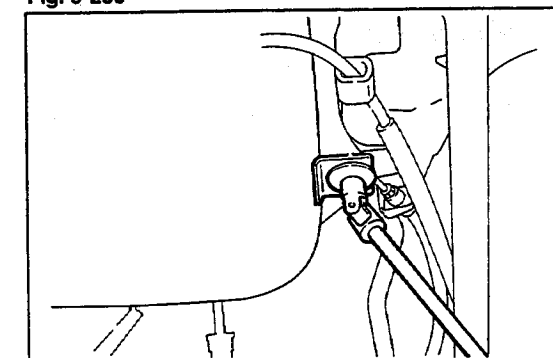


Fig. 9-237

WR-09257

7. Remove the fuel hose and pipe.
8. Remove the fuel sender gauge assembly by removing the coupler and five screws.
9. Remove the fuel pump assembly with bracket by removing the eight screws.

INSTALLATION

1. Install the fuel pump assembly with bracket and the fuel sender gauge assembly.
2. Install the fuel hose and pipe.
3. Install the fuel tank assembly with the four bolts.

NOTE:

Prior to the fuel tank installation, be sure to route the fuel gauge-related harness through the inside.

4. Installation of fuel hose
 - (1) Connect the main fuel hose.
 - (2) Connect the return fuel hose.
 - (3) Connect the emission control fuel hose.

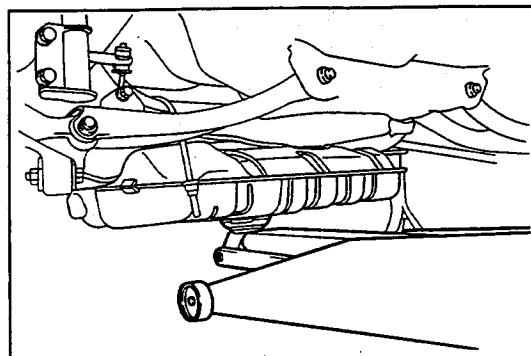


Fig. 9-238

WR-09258

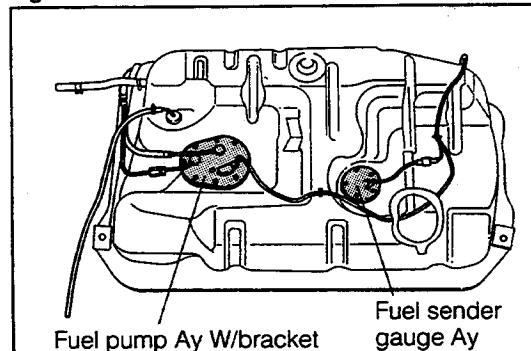


Fig. 9-239

WR-09259

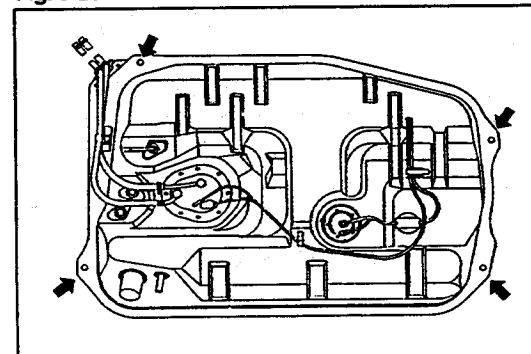


Fig. 9-240

WR-09260

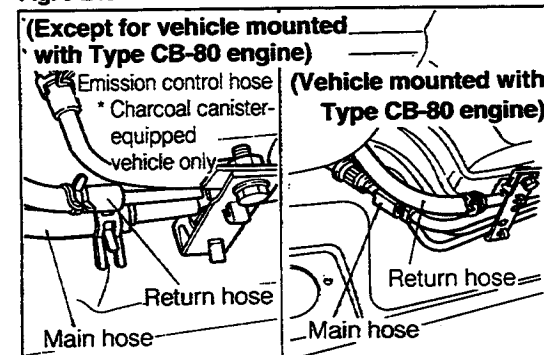


Fig. 9-241

WR-09261

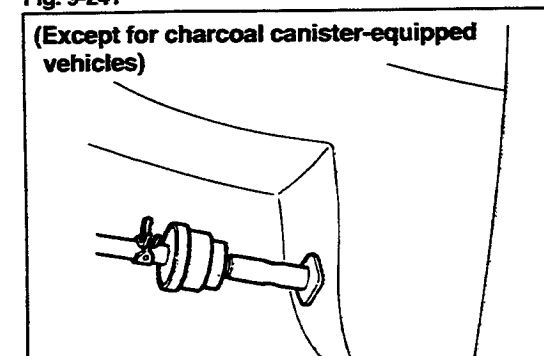


Fig. 9-242

WR-09262

BODY

5. Install the fuel tank subinlet hose and breather hose.

3-door model

- (1) Connect the breather hose. Secure it with the clip.
- (2) Connect the fuel tank subinlet hose. Secure it with the clamp.

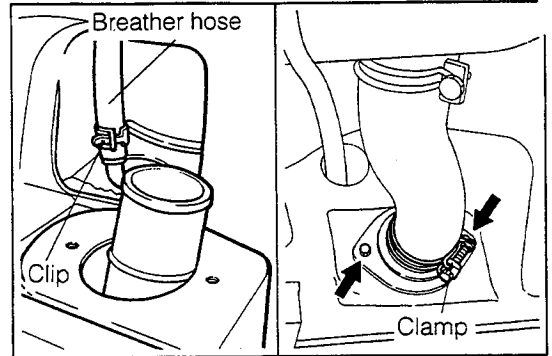


Fig. 9-243

WR-09263

5-door model

- (1) Connect the fuel tank subinlet hose. Secure it with the clamp.
- (2) Connect the hoses to both ends of the breather pipe. Secure them with the clips.
- (3) Install the breather pipe with one bolt.

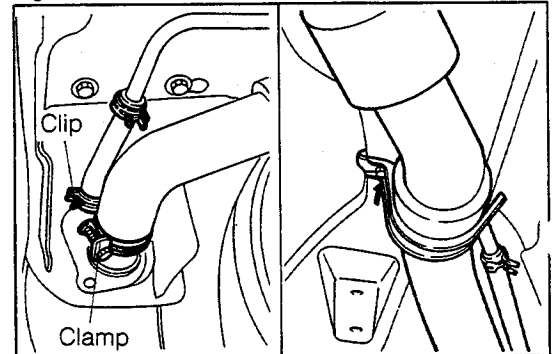


Fig. 9-244

WR-09264

6. Installation of fuel sender gauge and fuel pump connectors

- (1) Connect the connectors and install the grommet.
- (2) Attach the rear quarter trim at the right/rear side. (3-door model)
- (3) Attach the scuff plate at the right/rear side. (5-door model)
- (4) Install the rear seat.

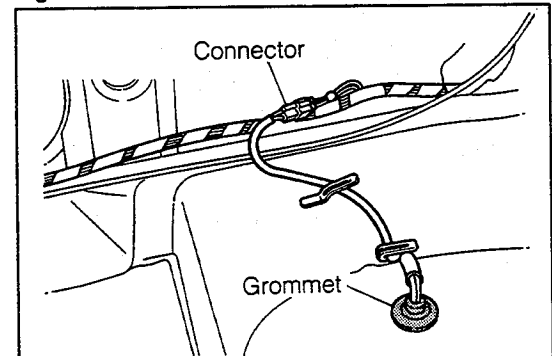
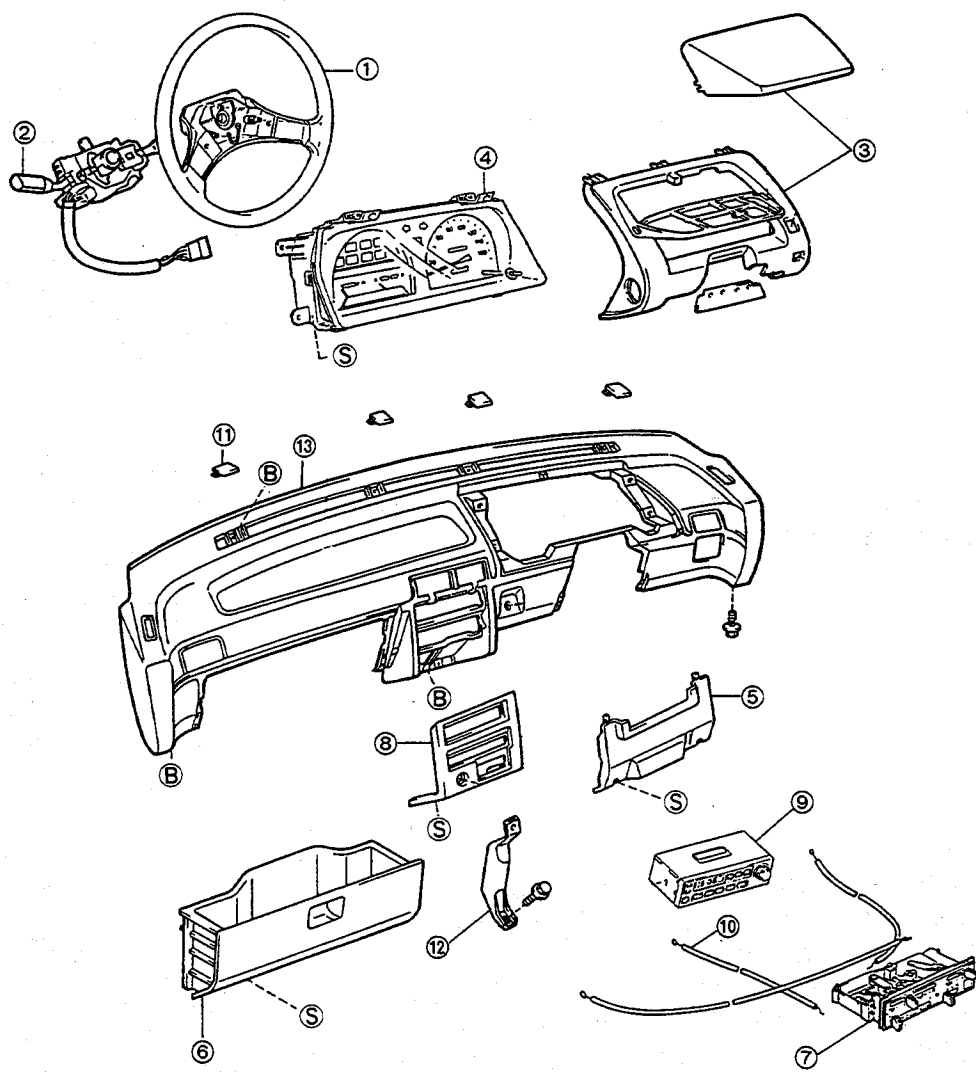


Fig. 9-245

WR-09265

INSTRUMENT PANEL COMPONENTS



- ① Steering wheel Ay
- ② Turn signal switch Ay
- ③ Instrument cluster finish panel S/A
- ④ Combination meter Ay
- ⑤ Instrument panel finish lower panel
- ⑥ Glove compartment door S/A
- ⑦ Heater control Ay
- ⑧ Instrument cluster finish center panel
- ⑨ Radio Ay
- ⑩ Heater control cable (3 pcs.)
- ⑪ Instrument panel hole cover
- ⑫ Instrument panel-to-floor brace
- ⑬ Instrument panel Ay

Fig. 9-246

WR-09266

BODY

REMOVAL

1. Disconnect the negative \ominus terminal of the battery.
2. Remove the instrument lower finish panel by removing the two screws.
3. Remove the instrument panel lower reinforcement by removing the four bolts.
4. Remove the steering column by removing the attaching bolts and nuts of the steering column.
5. Removal of instrument cluster finish panel subassembly
 - (1) Remove the four attaching screws of the instrument cluster finish panel subassembly.
 - (2) Slightly pull out the instrument cluster finish panel subassembly toward your side. Then, disconnect the couplers of the rear window defogger and rear wiper switch.
 - (3) Remove the instrument cluster finish panel subassembly.

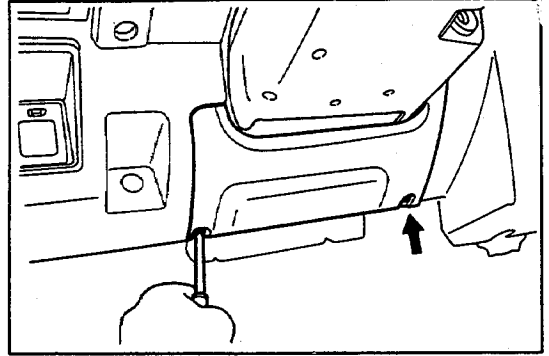


Fig. 9-247

WR-09267

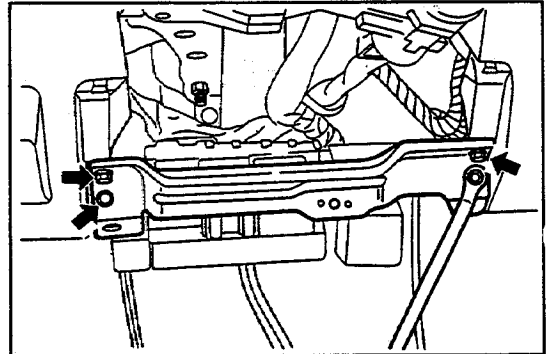


Fig. 9-248

WR-09268

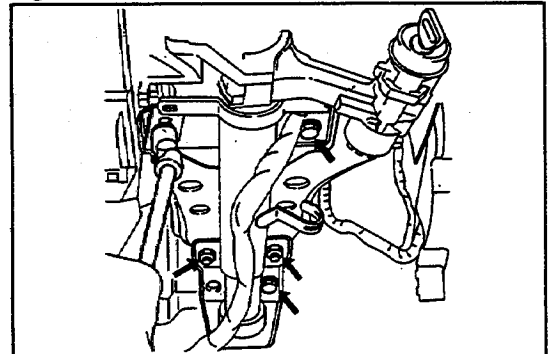


Fig. 9-249

WR-09269

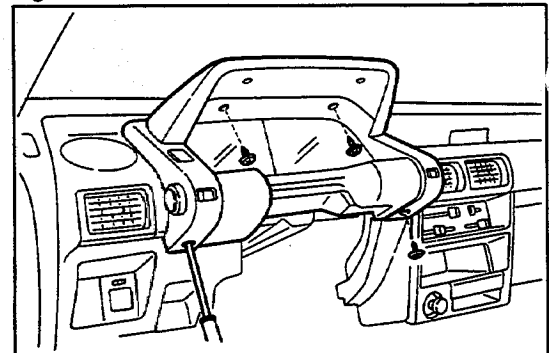


Fig. 9-250

WR-09270

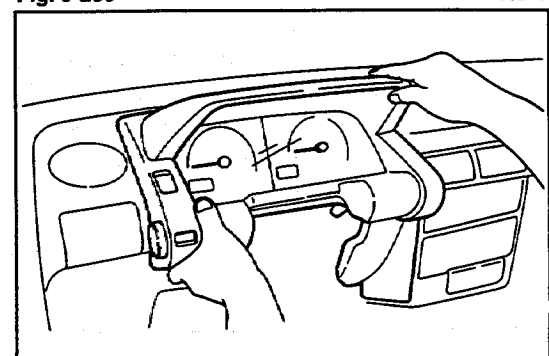


Fig. 9-251

WR-09271

Removal of combination meter assembly

(1) Disconnect the speedometer cable at the transmission side.

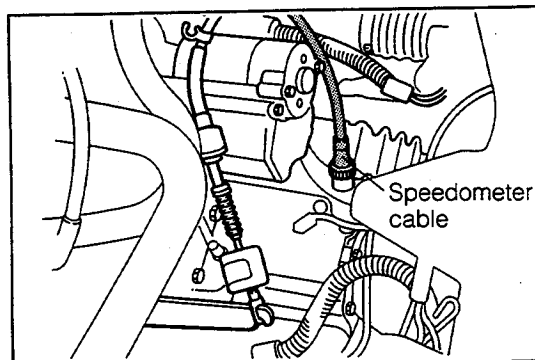


Fig. 9-252

WR-09272

(2) Remove the four attaching screws of the combination meter assembly.

(3) Pull out the combination meter assembly toward your side. Disconnect the speedometer cable and the coupler of the wire harness. Remove the combination meter assembly.

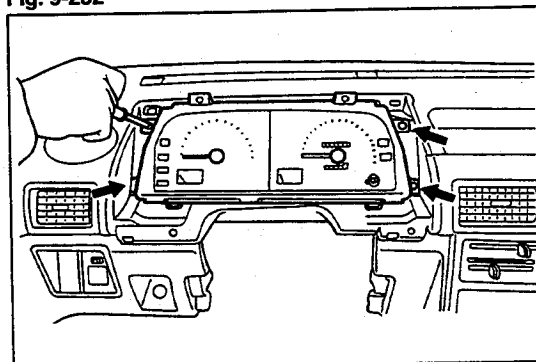


Fig. 9-253

WR-09273

7. Remove the glove compartment door subassembly by removing the two screws.

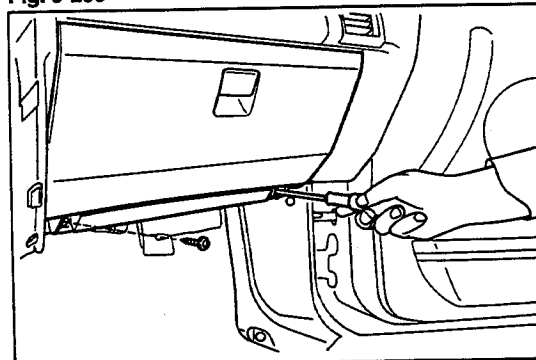


Fig. 9-254

WR-09274

8. Removal of instrument cluster finish center panel

(1) Remove the instrument cluster finish center panel by removing the four screws and pulling out the panel toward your side.

(2) Disconnect the connectors of the cigar lighter.

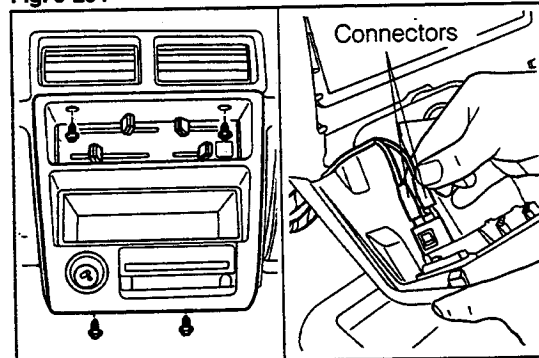


Fig. 9-255

WR-09275

9. Remove the heater control assembly by removing the three screws.

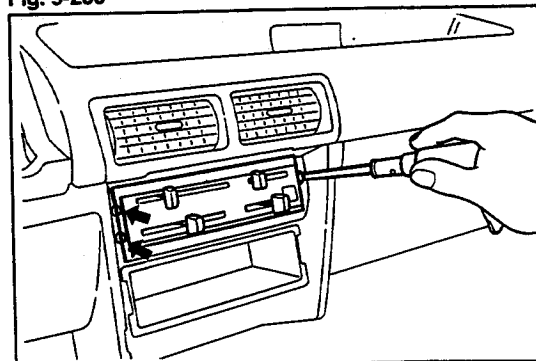


Fig. 9-256

WR-09276

BODY

10. Disconnect the couplers and the wire harness clamps of the ECU (for EFI or 3-speed A/T use), blower fan motor, clock and remote controlled mirror switch.

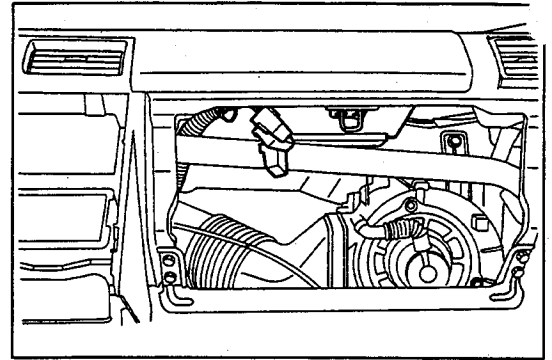


Fig. 9-257

WR-09277

11. Removal of instrument panel assembly

- (1) Remove the instrument hole covers and bolts at the four points of the upper section of the instrument panel assembly.
- (2) Remove the two attaching bolts at both sides of the instrument panel assembly.
- (3) Remove the two attaching bolts at the center of the instrument panel assembly.
- (4) Remove the instrument panel assembly from the vehicle.

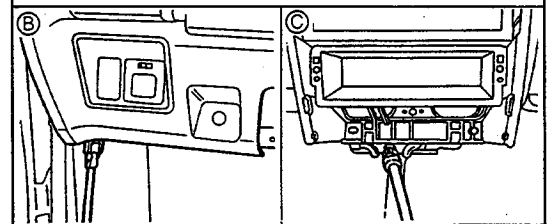
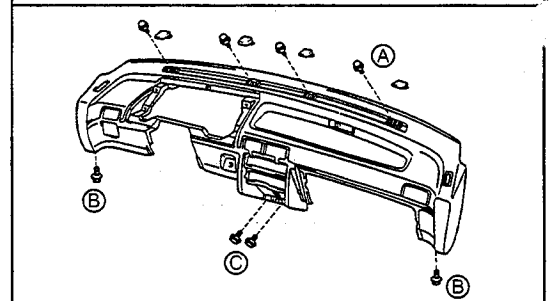
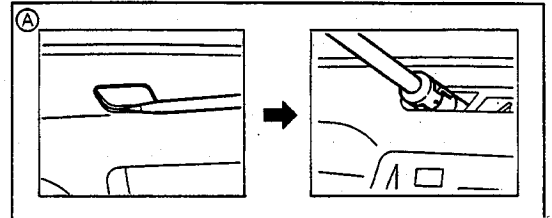


Fig. 9-258

WR-09278

12. Remove the following parts from the instrument panel assembly.

- (1) Remove the defroster nozzle assembly, side defroster nozzle duct, evaporator-to-register duct subassembly and front ventilator duct by removing the six screws.
- (2) Remove the ECU together with the bracket by removing the two screws and one bolt.
- (3) Remove the clock by removing the two screws. (LHD vehicle only)

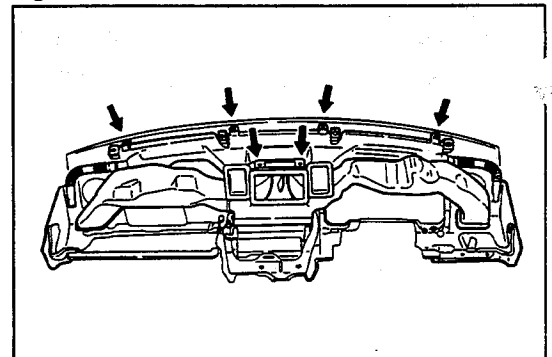


Fig. 9-259

WR-09279

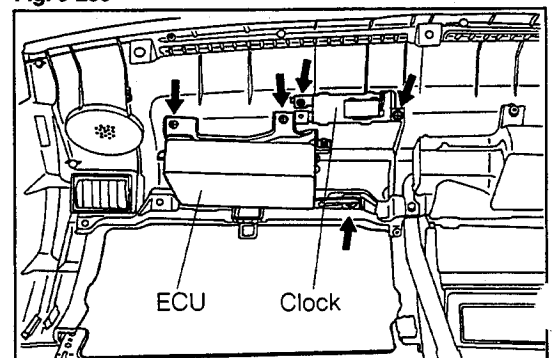


Fig. 9-260

WR-09280

- (4) Remove the glove compartment door lock striker by removing the two screws.
- (5) Remove the instrument panel reinforcement by removing the five screws and one bolt. (A/T-equipped vehicle and GTti grade)
- (6) Remove the instrument panel reinforcement by removing the three screws. (Except for A/T-equipped vehicle and GTti grade)

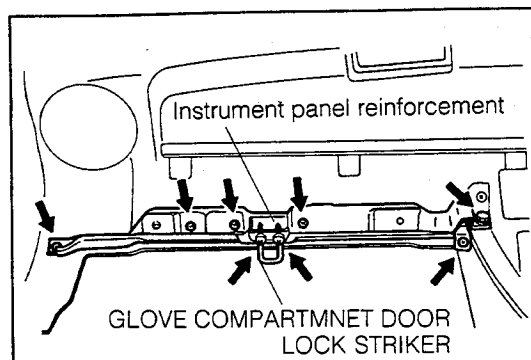


Fig. 9-261 WR-09281

- (7) Remove the instrument panel center stay by removing the three screws.

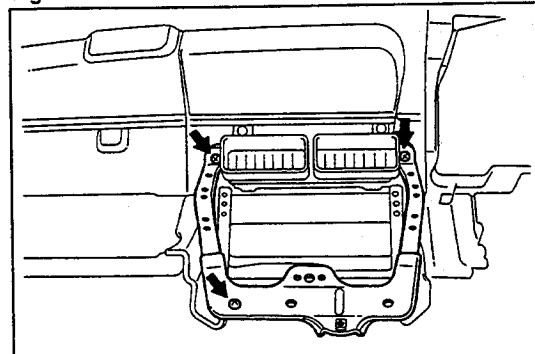


Fig. 9-262 WR-09282

- (8) Detach the clamps by removing the screws. (Two points)
- (9) Remove the instrument box or the remote controlled mirror switch.

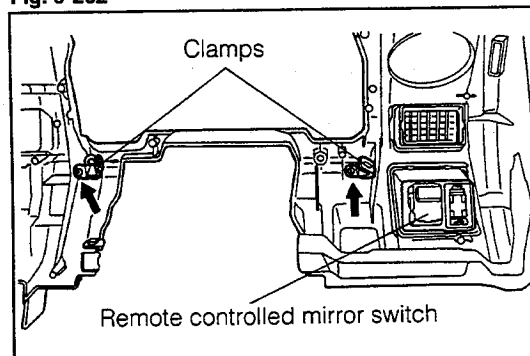


Fig. 9-263 WR-09283

- (10) Remove the instrument panel registers (R & L) and instrument panel center register.
- (11) Remove the instrument panel safety pad by removing the eight screws. (LHD vehicle only)

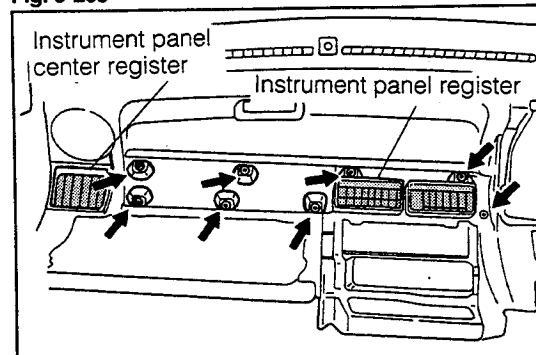


Fig. 9-264 WR-09284

- (12) Remove the radio tuning opening cover by removing the two screws.
- (13) Remove the instrument panel reinforcement No.3 by removing the four bolts.

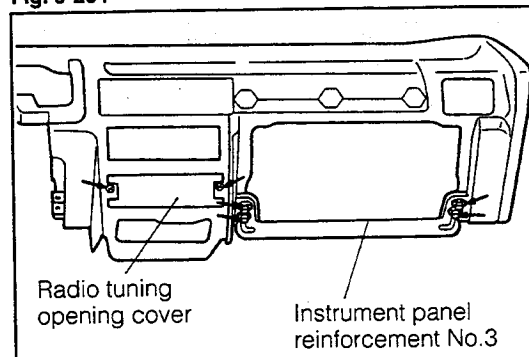


Fig. 9-265 WR-09285

BODY

- (14) Remove the instrument panel bracket No.2 by removing the four screws.
- (15) Remove the instrument panel bracket No.1 by removing the two screws.

INSTALLATION

1. Install the following parts to the instrument panel assembly.
 - (1) Install the instrument panel bracket No.1 (two screws) and instrument panel bracket No.2 (four screws).
 - (2) Install the instrument panel reinforcement No.3 with the four bolts.
 - (3) Install the radio tuning opening cover with the two screws.
 - (4) Install the instrument panel safety pad with the eight screws. (LHD vehicle only)
 - (5) Install the instrument panel registers (R & L) and instrument panel center register.
 - (6) Install the instrument box or the remote controlled mirror switch.
 - (7) Attach the clamps with the screws. (Two points)
 - (8) Install the instrument panel center stay with the three screws.

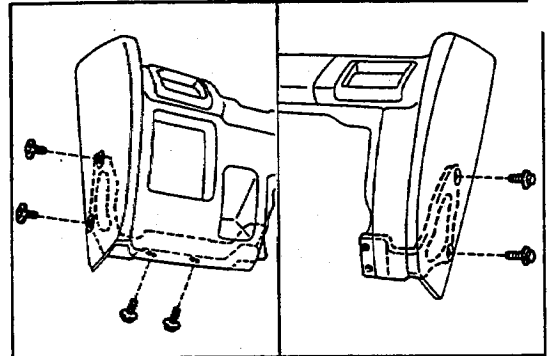


Fig. 9-266

WR-09286

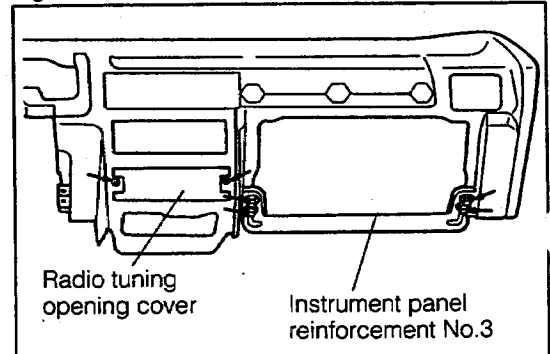


Fig. 9-267

WR-09287

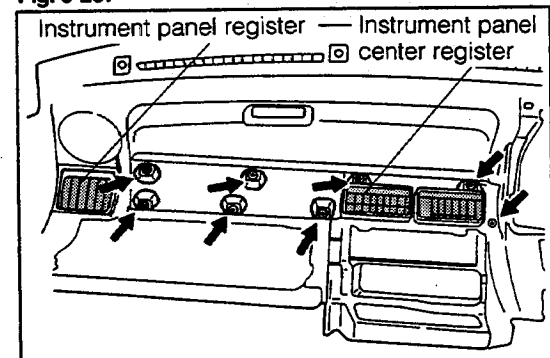


Fig. 9-268

WR-09288

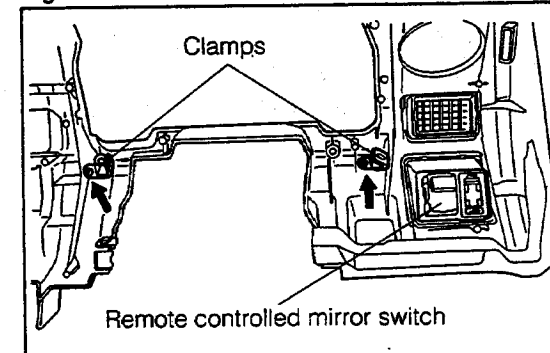


Fig. 9-269

WR-09289

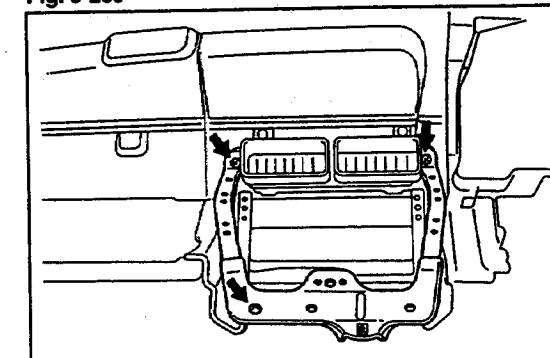


Fig. 9-270

WR-09290

- (9) Install the instrument panel reinforcement with the five screws and one bolt. (A/T-equipped vehicle and GTti grade)
- (10) Install the instrument panel reinforcement with the three screws. (Except for A/T-equipped vehicle and GTti grade)
- (11) Install the glove compartment door lock striker with the two screws.

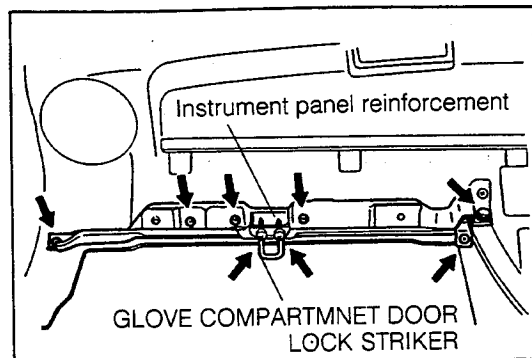


Fig. 9-271 WR-09291

- (12) Install the clock with the two screws. (LHD vehicle only)
- (13) Install the ECU together with the bracket by means of the two screws and one bolt.

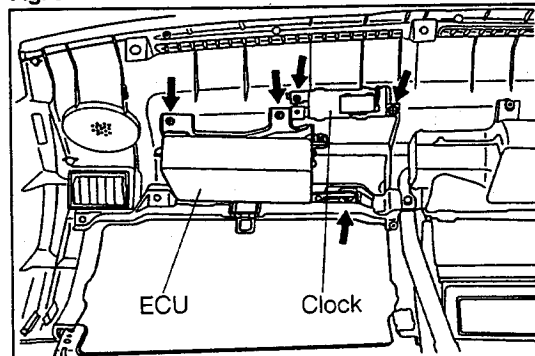


Fig. 9-272 WR-09292

- (14) Install the evaporator-to-register duct subassembly, front ventilator duct, defroster nozzle assembly and side defroster nozzle.

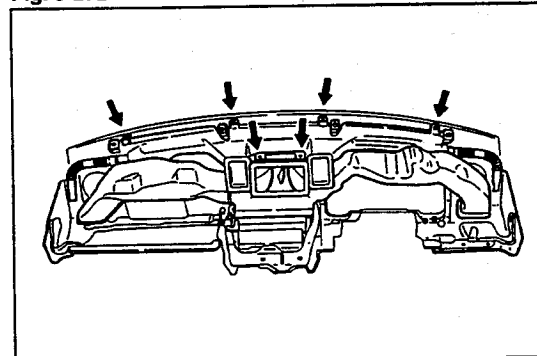


Fig. 9-273 WR-09293

2. Installation of instrument panel assembly

- (1) Temporarily install the four bolts (A) at the upper side of the instrument panel assembly.
- (2) Temporarily install the two bolts (B) at both sides of the instrument panel assembly.
- (3) Temporarily install the two bolts (C) at the center of the instrument panel assembly.
- (4) Settle the instrument panel assembly and tighten the eight bolts.
- (5) Install the instrument panel hole covers.

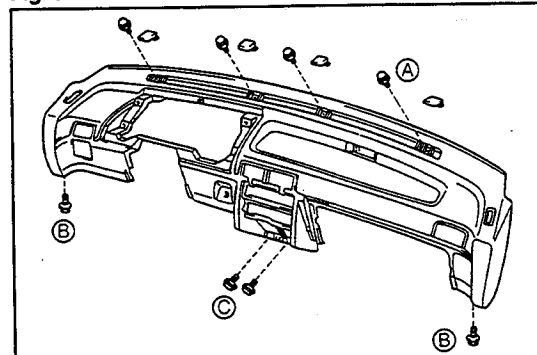


Fig. 9-274 WR-09294

- 3. Connect the couplers and wire harness clamps of the ECU (for EFI or A/T use), blower fan motor, clock and remote controlled mirror switch.
- 4. Install the heater control assembly with the three screws.

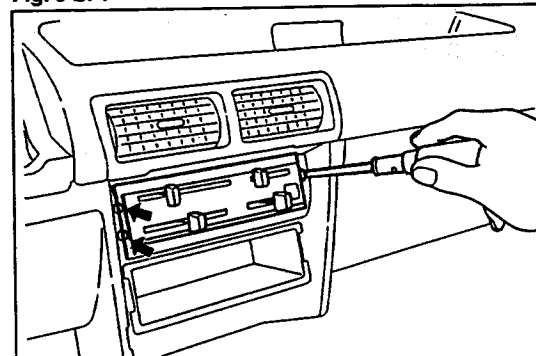


Fig. 9-275 WR-09295

BODY

5. Installation of instrument cluster finish center panel
 - (1) Connect the connectors of the cigar lighter.
 - (2) Install the instrument cluster finish center panel with the four screws.
6. Install the glove compartment door subassembly with the two screws. (See Fig. 9-254.)

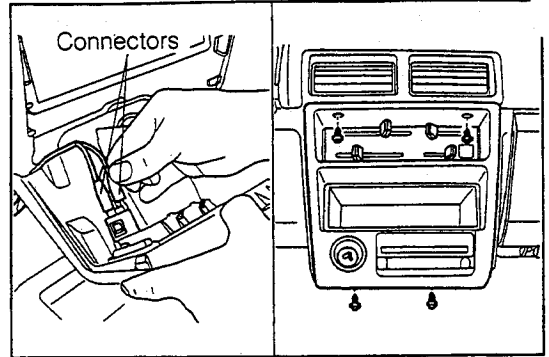


Fig. 9-276

WR-09296

7. Installation of combination meter assembly
 - (1) Connect the coupler of the wire harness and speedometer cable to the combination meter assembly.
 - (2) Install the combination meter assembly with the four screws.
 - (3) Connect the speedometer cable at the transmission side.

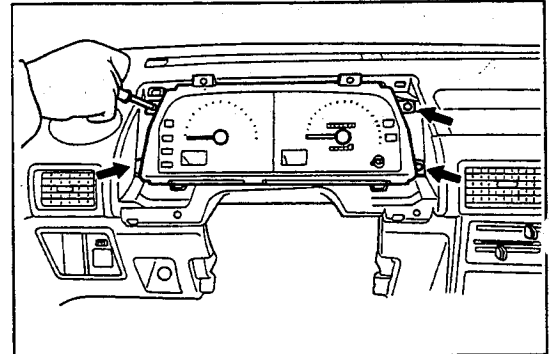


Fig. 9-277

WR-09297

8. Installation of instrument cluster finish panel subassembly
 - (1) Connect the couplers of the rear window defogger and rear wiper switch.
 - (2) Install the instrument cluster finish panel subassembly with the four screws.

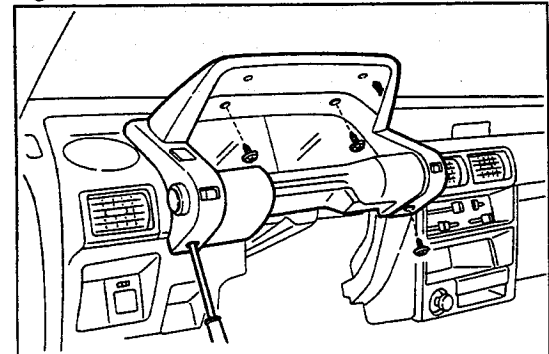


Fig. 9-278

WR-09298

9. Install the steering column with the bolts and nuts.

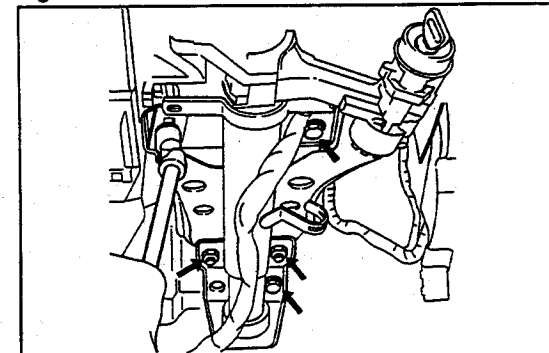


Fig. 9-279

WR-09299

10. Install the instrument panel lower reinforcement with the four bolts.

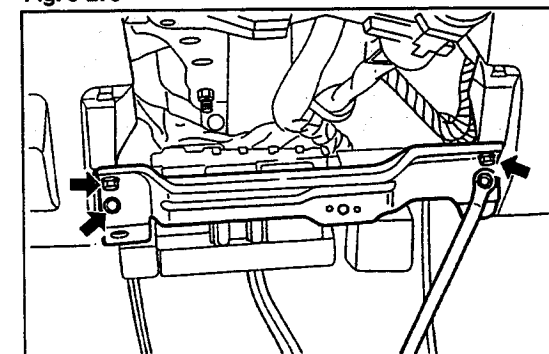
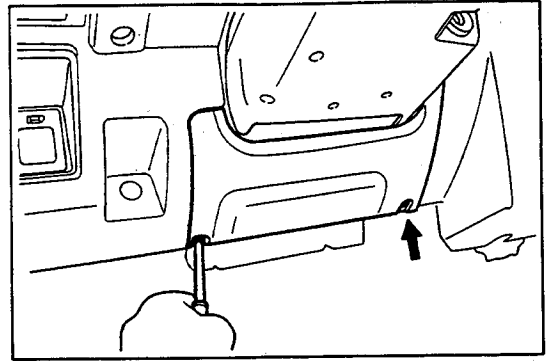


Fig. 9-280

WR-09300

1. Install the instrument lower finish panel with the two screws.
12. Connect the negative \ominus terminal of the battery.

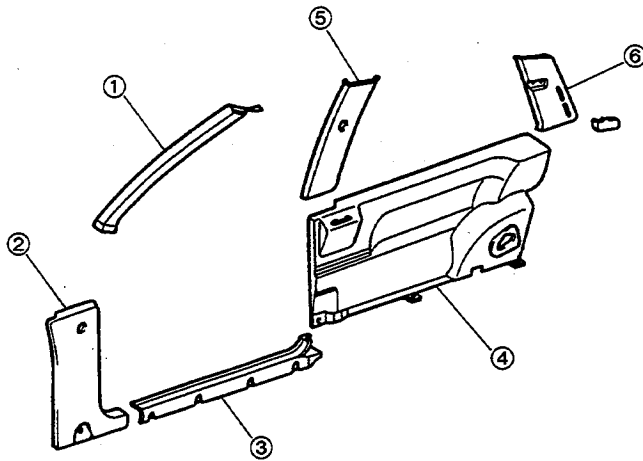
**Fig. 9-281**

WR-09301

BODY

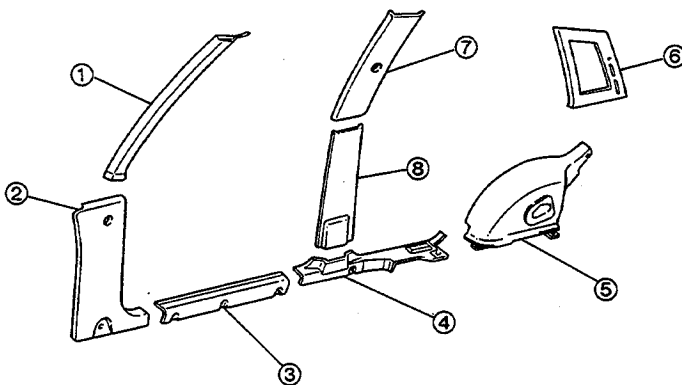
TRIMS COMPONENTS

3-door model



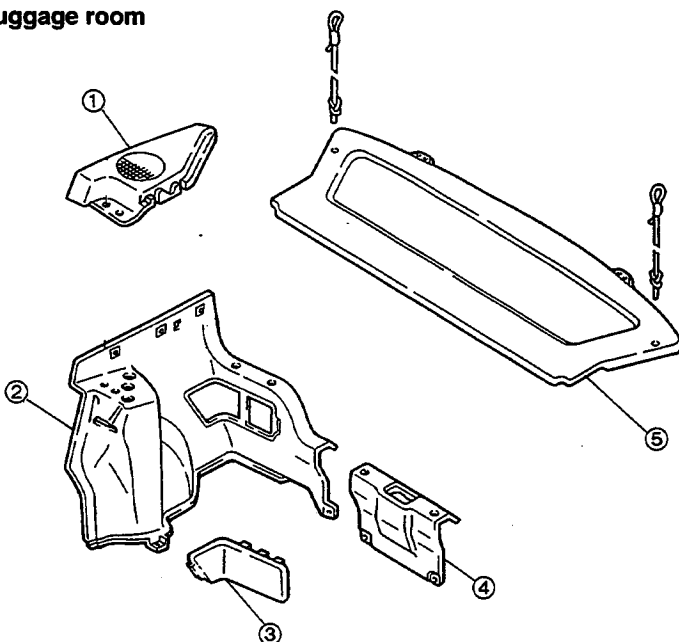
- ① Front pillar garnish
- ② Cowl side trim
- ③ Front door scuff plate
- ④ Quarter trim
- ⑤ Center pillar upper garnish
- ⑥ Roof side inner garnish

5-door model



- ① Front pillar garnish
- ② Cowl side trim
- ③ Front door scuff plate
- ④ Rear door scuff plate
- ⑤ Quarter wheel house cover
- ⑥ Roof side inner garnish
- ⑦ Center pillar upper garnish
- ⑧ Center pillar lower garnish

Luggage room



- ① Package tray side trim
- ② Deck side trim
- ③ Rear combination lamp service hole cover
- ④ Lower back trim
- ⑤ Package tray trim

Fig. 9-282

WR-09302

FRONT PILLAR GARNISH

Removal

1. Disengage the clip section by prying the clip with a common screwdriver.
2. Remove the front pillar garnish by pulling it upward.

Installation

1. Hang the hanger located at the lower part of the front pillar garnish to the body.
2. Align the two clips in place. Install the front pillar garnish by tapping it lightly by your hand.

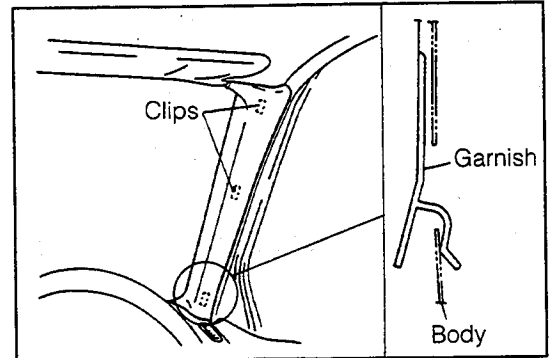


Fig. 9-283

WR-09303

COWL SIDE TRIM

Removal

Remove the cowl side trim by detaching the two clips, using a clip clamping tool.

Installation

Install the cowl side trim with the two clips.

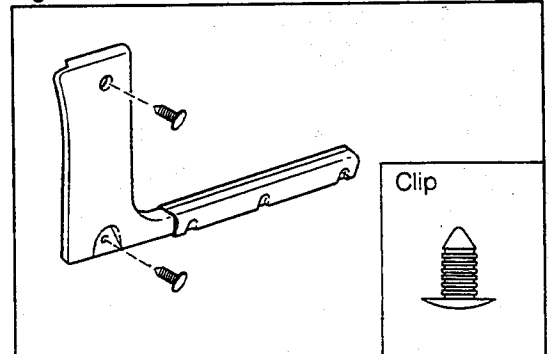


Fig. 9-284

WR-09304

**FRONT DOOR SCUFF PLATE
(3-DOOR MODEL)**

Removal

Remove the front door scuff plate by removing the five screws.

Installation

Install the front door scuff plate with the five screws.

(5-DOOR MODEL)

Removal

Remove the front door scuff plate by removing the three screws.

Installation

Install the front door scuff plate with the three screws.

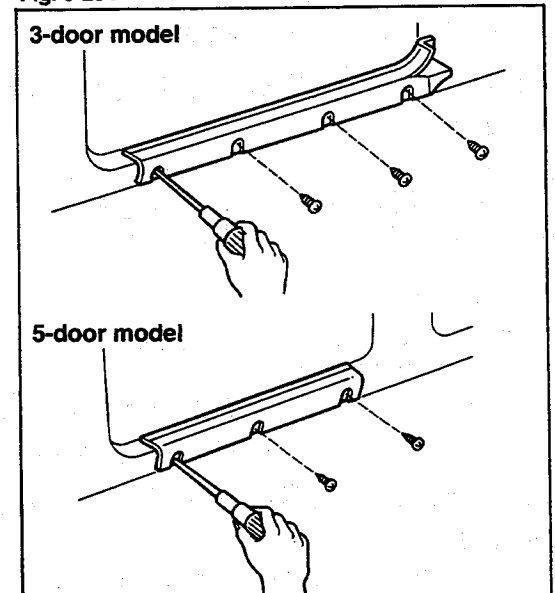


Fig. 9-285

WR-09305

**QUARTER TRIM
(3-DOOR MODEL)**

Removal

1. Remove the two screws at the lower end of the trim.
2. Detach the three clips (A) by pushing the center sections of the clips.
3. Detach the clips (B) (at six points), using a common screwdriver.
4. Remove the quarter trim by pulling it toward the front.

Installation

1. Attach the clip (C).
2. Attach the clips (B) (at six points).
3. Attach the clips (A) (at three points).
4. Install the two screws at the lower end of the trim.

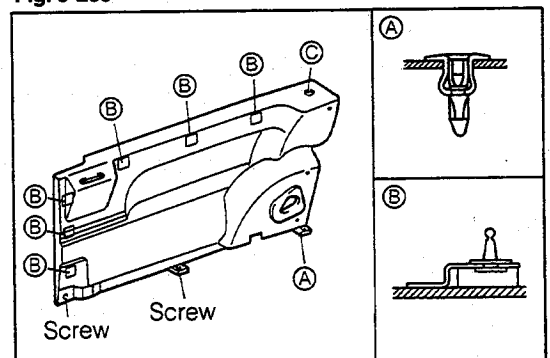


Fig. 9-286

WR-09306

BODY

REAR DOOR SCUFF PLATE (5-DOOR MODEL)

Removal

Remove the rear door scuff plate by removing the two screws.

Installation

Install the rear door scuff plate with the two screws.

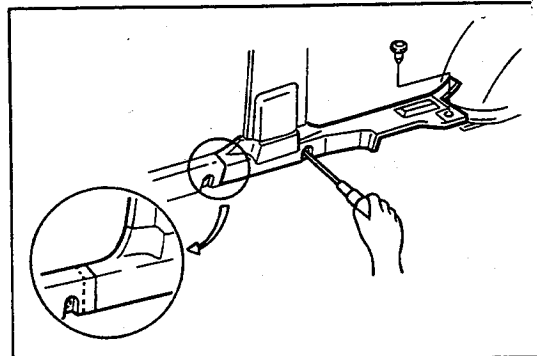


Fig. 9-287

WR-09307

QUARTER WHEEL HOUSE COVER (5-DOOR MODEL)

Removal

1. Remove the rear door scuff plate. (See Fig. 9-287.)
2. Remove the one screw and two clips (A).
3. Detach the four clips (B), using a common screwdriver.

Installation

1. Align the clips (B) in place. Install the quarter wheel house cover by lightly tapping around the clips by hand.
2. Install the one screw and two clips (A).
3. Install the rear door scuff plate.

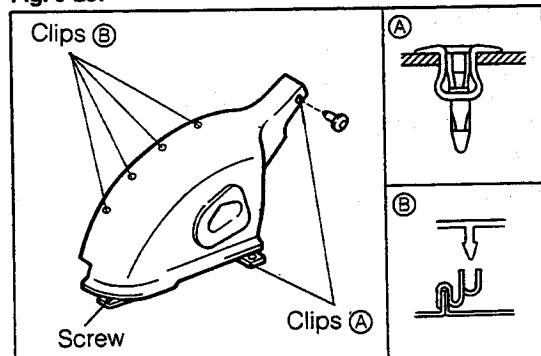


Fig. 9-288

WR-09308

CENTER PILLAR LOWER GARNISH

Removal

1. Disengage the clips (A), using a common screwdriver.
2. Disengage the clips (B), using a common screwdriver.
3. Remove the center pillar lower garnish.

Installation

1. Hang the lower end of the center pillar lower garnish to the rear door scuff plate.
2. Align the clips (A) and (B) in place. Install the center pillar lower garnish by lightly tapping around the clips by hand.

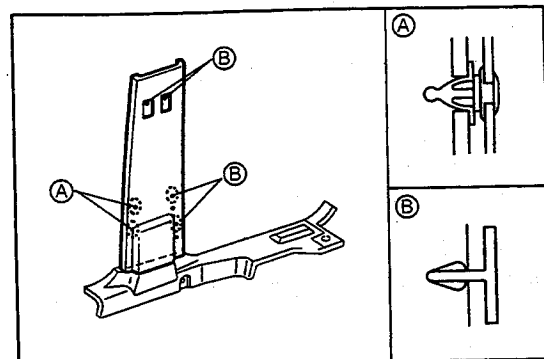


Fig. 9-289

WR-09309

ROOF SIDE INNER UPPER GARNISH

Removal

1. Remove the quarter window lock cover.
2. Remove the two attaching screws of the quarter window lock assembly.
3. Disengage the clips (A), using a common screwdriver.
4. Disengage the clips (B) and (C), using a common screwdriver.
5. Remove the roof side inner upper garnish.

Installation

1. Align the clips (A), (B) and (C) in place. Install the roof side inner upper garnish by lightly tapping around the clips by hand.
2. Install the quarter window lock assembly with the two screws.
3. Install the quarter window lock cover.

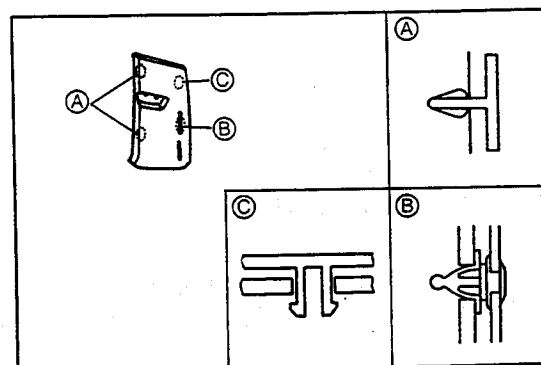


Fig. 9-290

WR-09310

CENTER PILLAR GARNISH

Removal

1. Remove the attaching bolt of the front seat outer belt shoulder anchor.
2. Disengage the clips, using a common screwdriver.
3. Remove the center pillar garnish.

Installation

1. Align the clips in place. Install the center pillar garnish by lightly tapping around the clips by hand.
2. Install the attaching bolt of the front seat outer belt shoulder anchor.

Tightening Torque: 2.9 - 5.4 kg-m (21 - 39 ft-lb)

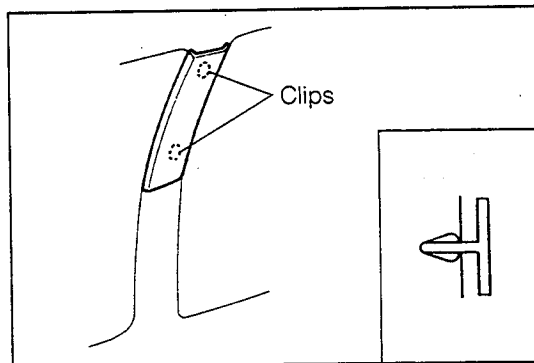


Fig. 9-291

WR-09311

DECK SIDE TRIM

Removal

1. Remove the package tray.
2. Remove the quarter trim.

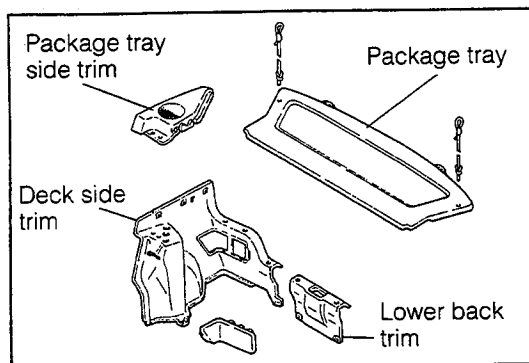


Fig. 9-292

WR-09312

3. Removal of package tray side trim
 - (1) Remove the four bolts.
 - (2) Remove the package tray side trim.

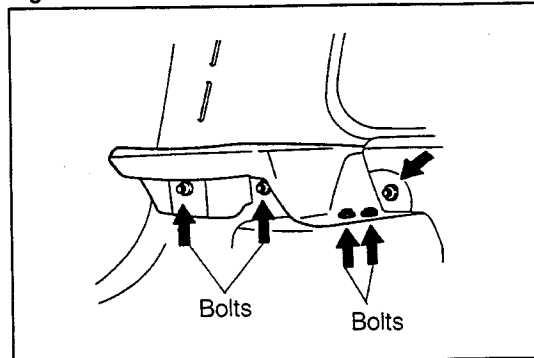


Fig. 9-293

WR-09313

4. Removal of lower back trim
 - (1) Detach the four clips by pushing the center sections of the clips.
 - (2) Remove the lower back trim.

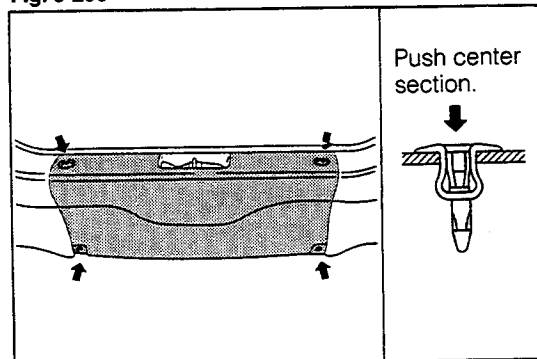


Fig. 9-294

WR-09314

BODY

5. Deck side trim

- (1) Detach the five clips by pushing the center sections of the clips.
- (2) Remove the deck side trim.
- (3) Remove the rear combination lamp service hole cover from the deck side trim.

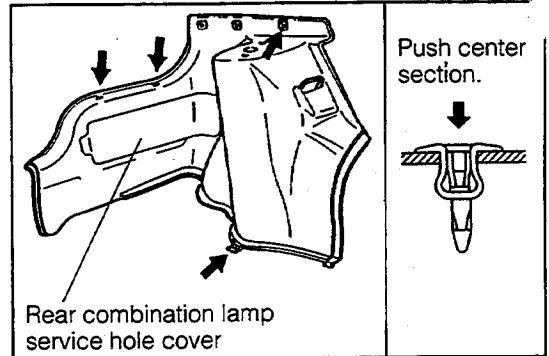


Fig. 9-295

WR-09315

Installation

1. Installation of deck side trim

- (1) Install the deck side trim with the four clips.
- (2) Install the rear combination lamp service hole cover.

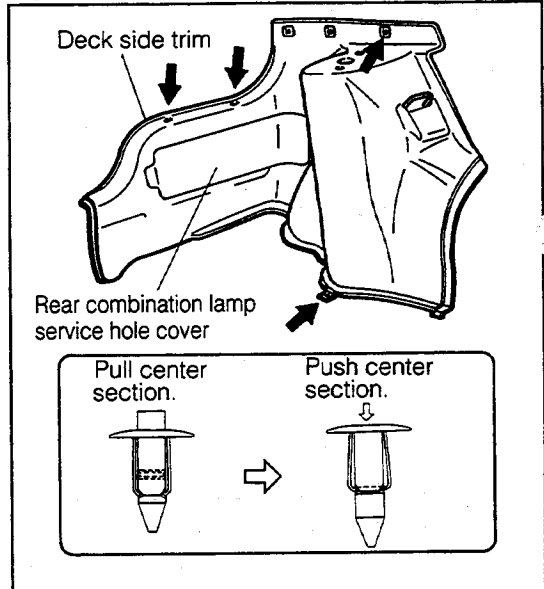


Fig. 9-296

WR-09316

2. Install the lower back trim with the four clips.

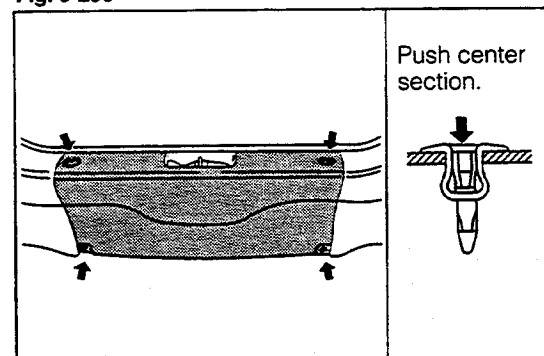


Fig. 9-297

WR-09317

3. Install the package tray side trim with the four bolts.
4. Install the package tray.
5. Install the quarter trim.

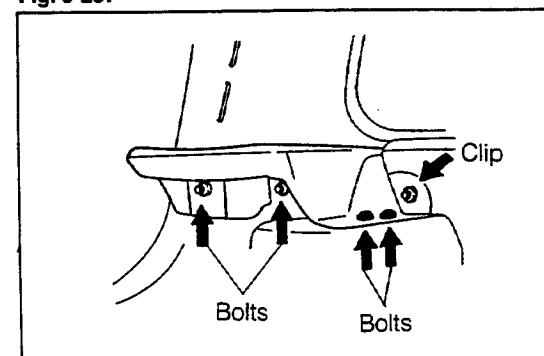


Fig. 9-298

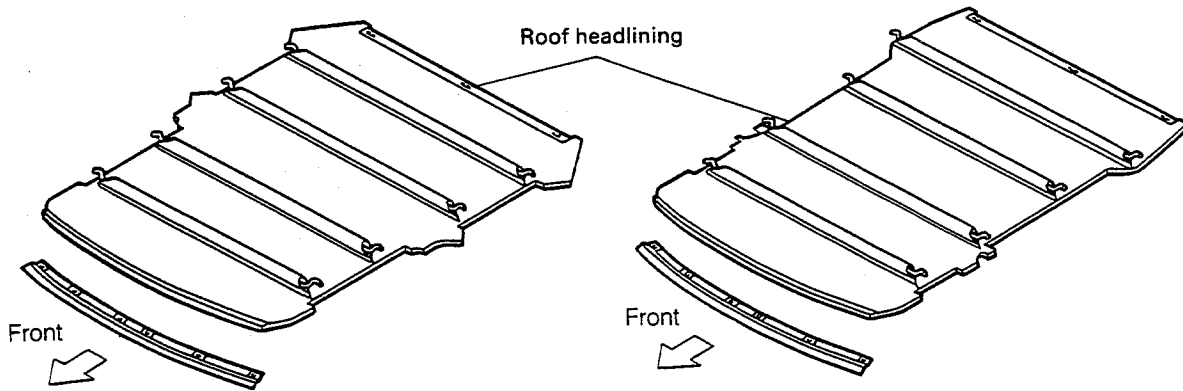
WR-09318

ROOF HEADLINING

Suspended ceiling

(3-door model)

(5-door model)



Molded ceiling

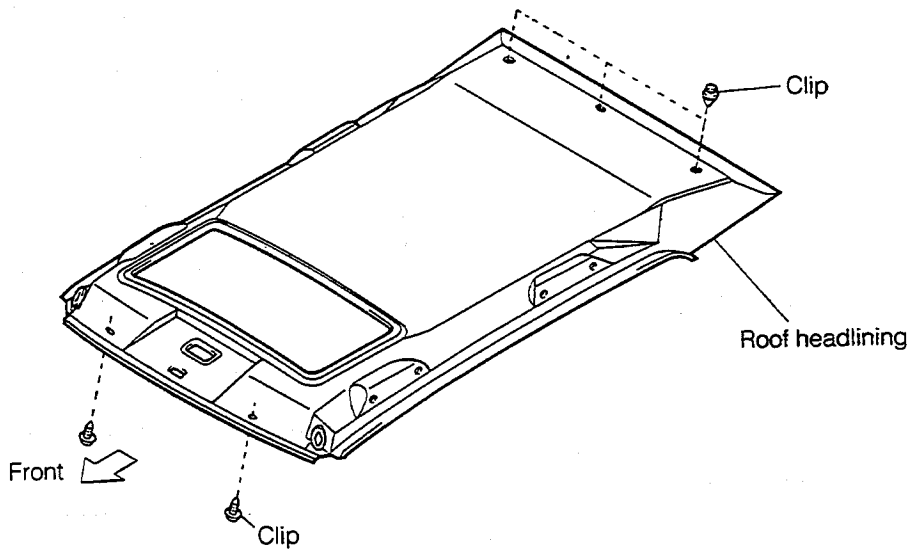


Fig. 9-299

WR-09319

SUSPENDED CEILING

Removal

1. Remove the sun visor assembly.
2. Remove the inner rear-view mirror with room lamp.
3. Remove the front pillar garnish, center pillar garnish and roof side inner upper garnish. (Only vehicle equipped with those garnishes)

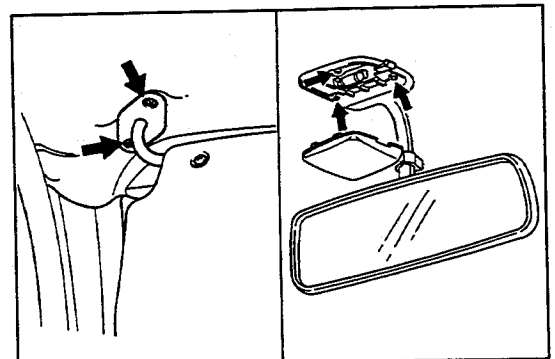


Fig. 9-300

WR-09320

BODY

4. Remove the upper side of the front and rear door opening trim molding. Proceed to disengage the hook of the roof headlining.
5. Remove the two-faced adhesive tapes at the quarter pillar and center pillar sections. Then, remove the roof headlining.
6. Disengage the three hooks at the rear of the roof headlining.
7. Remove the lifting wires from the body side rail holes one by one, starting from the rear of the roof headlining.
8. Remove the roof headlining retainer and roof headlining by removing the five screws.

Installation

1. Install the roof headlining retainer by tightening the five screws in the sequence indicated in the right figure.
NOTE:
Install the roof headlining retainer in such a direction that a cut-out section at the center section of the retainer faces forward.
2. Insert each lifting wire into the body side rail hole one by one, starting from the front of the roof headlining retainer. Each hole should be held at the uppermost position.
3. Attach the three hooks at the rear of the roof headlining.

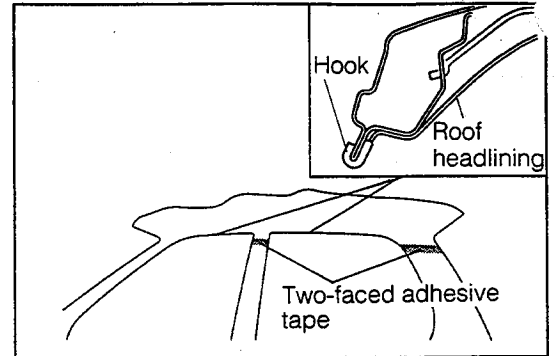


Fig. 9-301

WR-09321

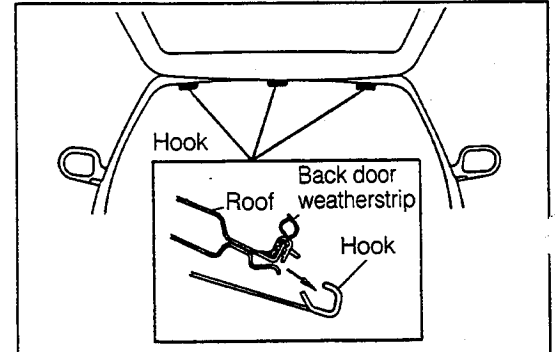


Fig. 9-302

WR-09322

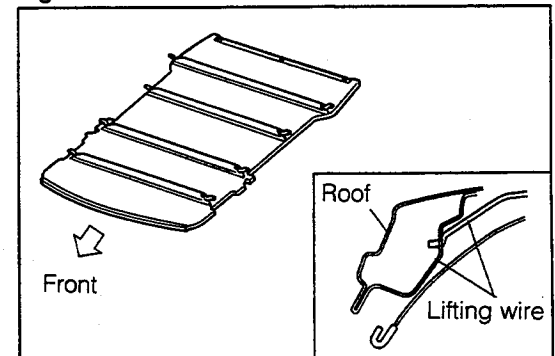


Fig. 9-303

WR-09323

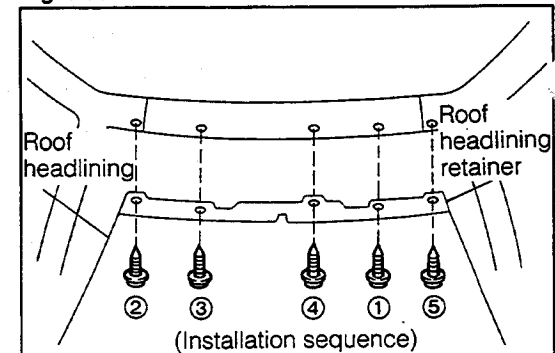


Fig. 9-304

WR-09324

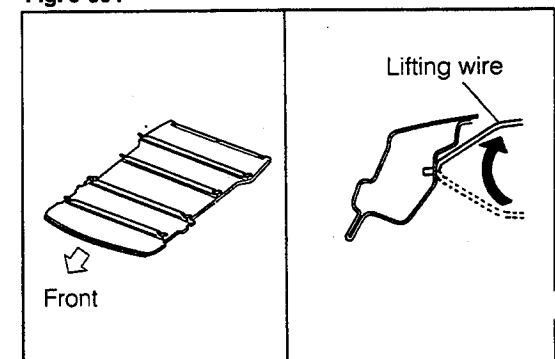


Fig. 9-305

WR-09325

- Hang the roof headlining hook at the front and rear door opening section. Install the opening trim molding.
5. Install the roof headlining at the quarter pillar and center pillar sections to the body, using a two-faced adhesive tape.
 6. Install the front door garnish, center pillar garnish and roof side inner upper garnish. (Only vehicle equipped with those garnishes)
- NOTE:**
Cut the roof headlining around the clip hole of the center pillar section, using a cutter.
7. Install the inner rear-view mirror with room lamp.
 8. Install the sun visor assembly.

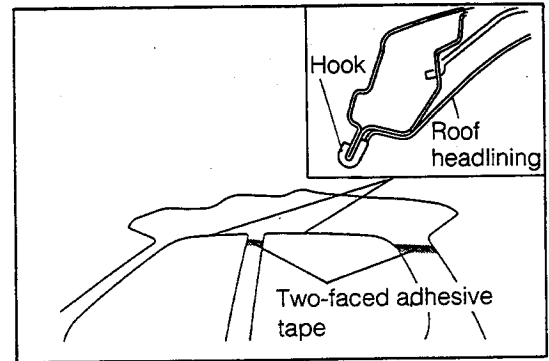


Fig. 9-306

WR-09326

MOLDED CEILING

Removal

1. Remove the sun visor assembly.
2. Remove the inner rear-view mirror with room lamp.
Detach the switch bezel.
4. Remove the sunroof opening trim molding.
5. Remove the front pillar garnish, center pillar garnish and roof side inner upper garnish.

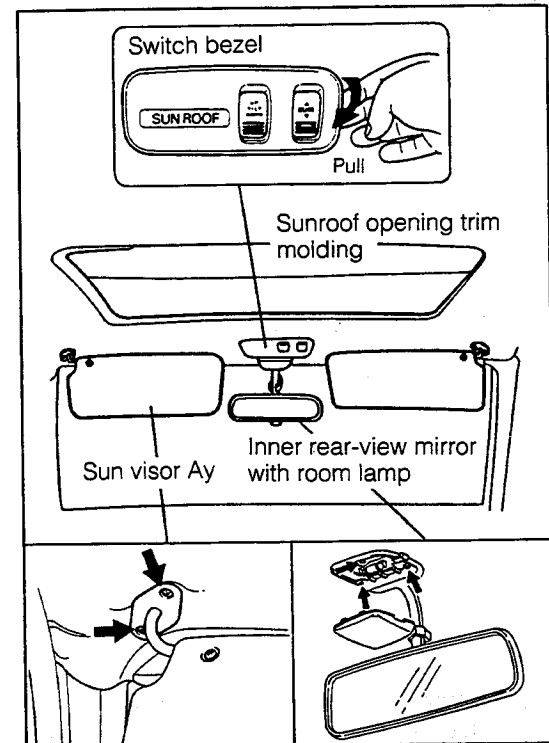


Fig. 9-307

WR-09327

Remove the front and rear door opening trim molding (quarter window weatherstrip). Proceed to remove the roof headlining.

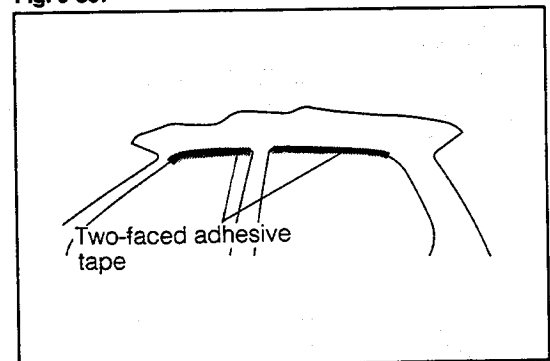


Fig. 9-308

WR-09328

BODY

7. Removal of roof headlining

- (1) Remove the assist grips or clips.

NOTE:

Remove the clip, using a clip clamping tool.

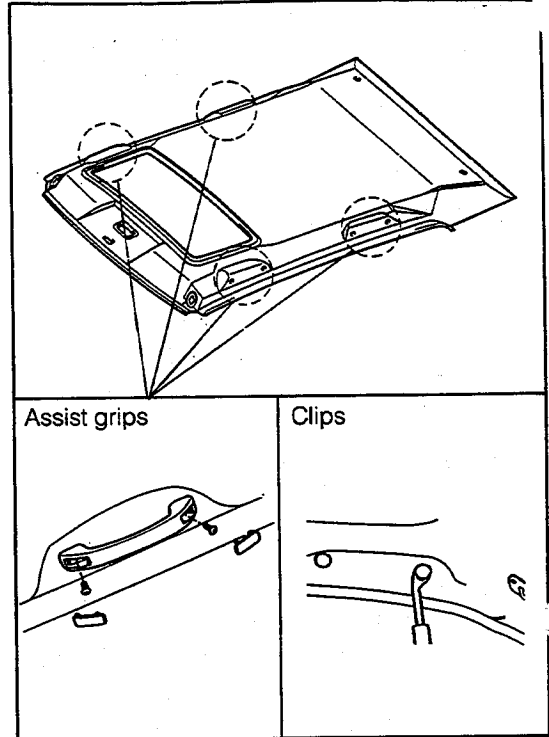


Fig. 9-309

WR-09329

- (2) Detach the three clips at the rear of the roof headlining.

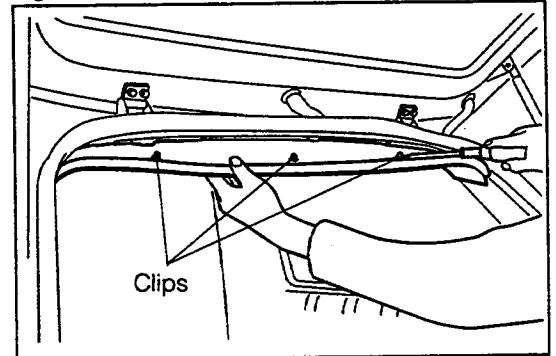


Fig. 9-310

WR-09330

- (3) Detach the two clips at the front of the roof headlining.
- (4) Remove the roof headlining from the vehicle.

Installation

1. Installation of roof headlining

- (1) Attach the front of the roof headlining with the two clips.

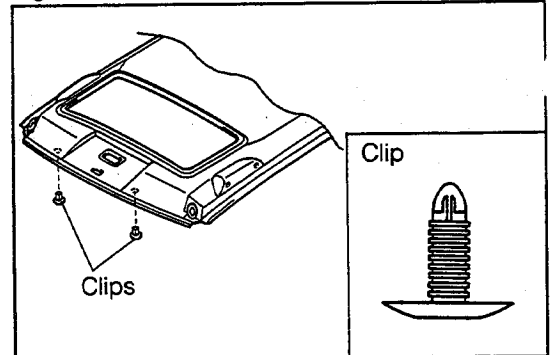


Fig. 9-311

WR-09331

- (2) Attach the rear of the roof headlining with the three clips.

NOTE:

Be sure to replace any damaged clip with a new one during the operations (1) and (2).

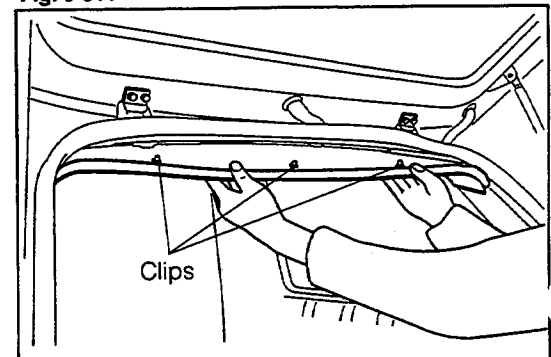


Fig. 9-312

WR-09332

(3) Install the assist grips or clips.

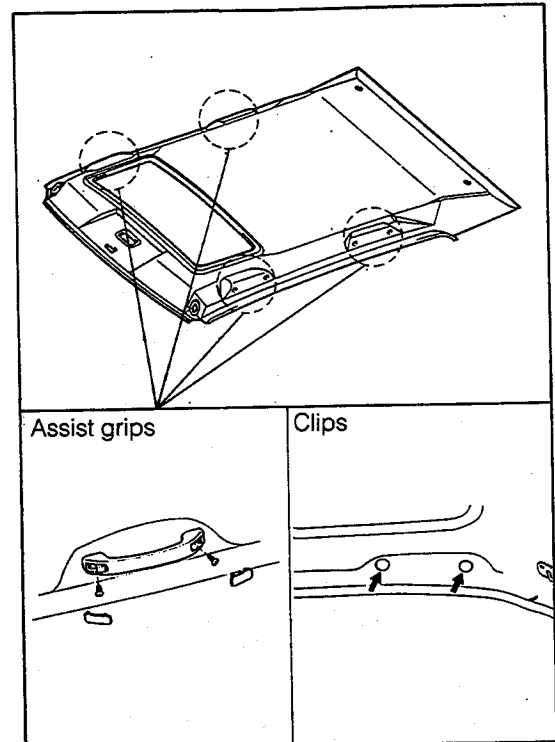


Fig. 9-313

WR-09333

2. Installation of front and rear door opening trim molding (quarter window weatherstrip)
 - (1) Affix the roof headlining at the front and rear door (quarter window) section, using a two-faced adhesive tape.
 - (2) Install the front and rear door opening trim molding (quarter window weatherstrip).

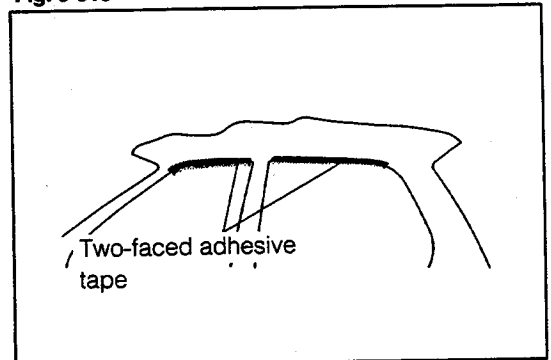


Fig. 9-314

WR-09334

3. Install the front pillar garnish, center pillar garnish and roof side inner upper garnish.
 1. Install the sunroof opening trim molding.
 5. Install the switch bezel.
 6. Install the inner rear-view mirror with room lamp.
 7. Install the sun visor assembly.

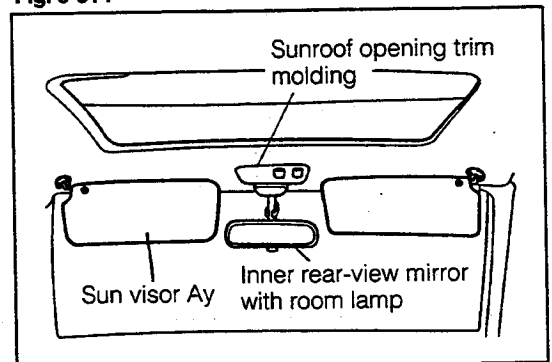


Fig. 9-315

WR-09335

BODY

FRONT SEAT COMPONENTS

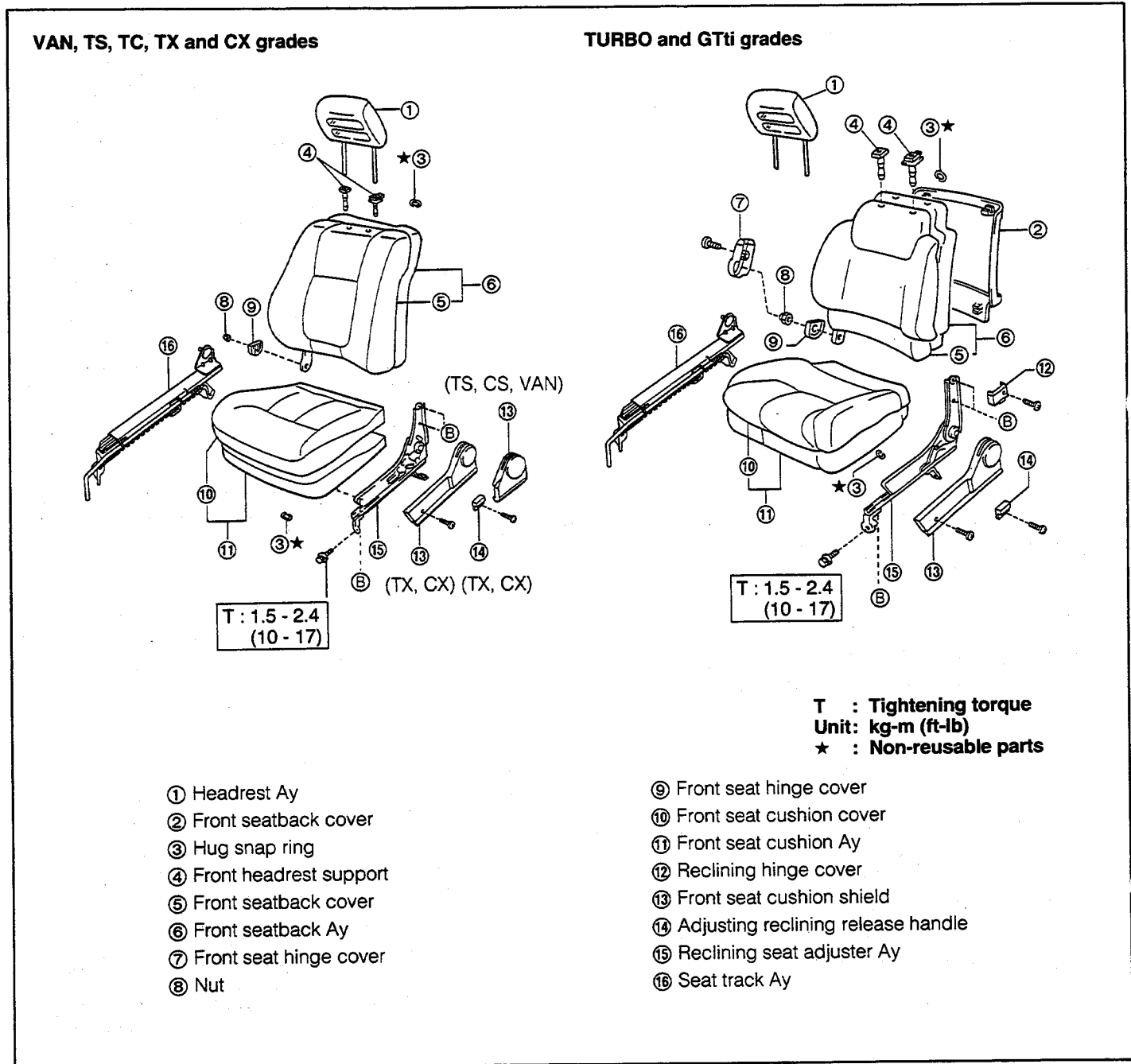


Fig. 9-316

WR-09336

REMOVAL

Remove the front seat from the vehicle by removing the four bolts.

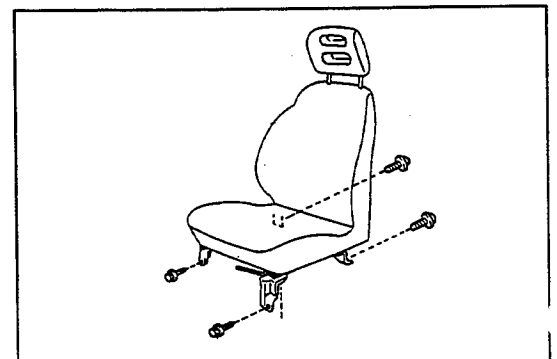


Fig. 9-317

WR-09337

DISASSEMBLY

1. Remove the headrest with the stopper pushed toward "Unlock" direction.

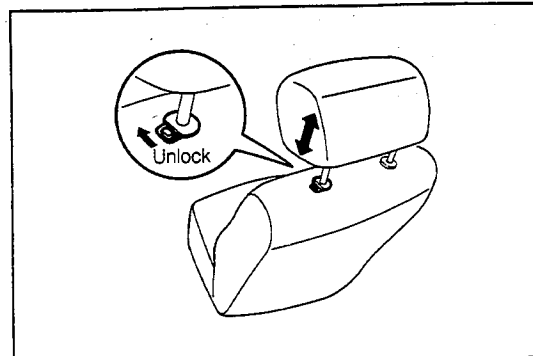


Fig. 9-318

WR-09338

2. Remove the adjusting reclining release handle by removing the one screw.
3. Remove the reclining hinge cover by removing the one screw. (TURBO and GTti grades only)

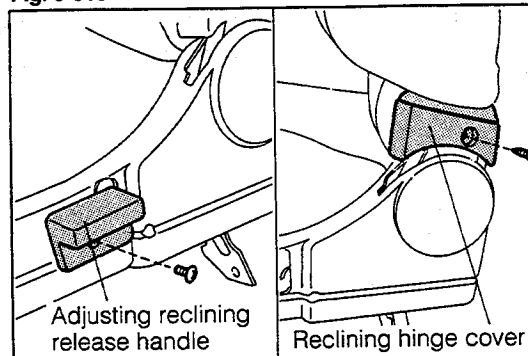


Fig. 9-319

WR-09339

4. Remove the front seat cushion shield by removing the attaching screws.

VAN, TX and TC grades: two screws

Except for VAN, TX and TC grades: three screws

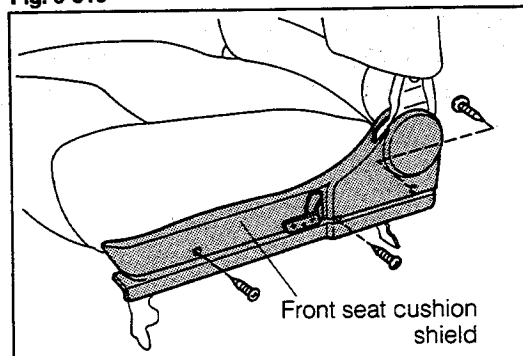


Fig. 9-320

WR-09340

5. Remove the front seat hinge cover by removing the one screw. (TURBO and GTti grades only)
- Remove the front seatback cover by pulling its lower end. (TURBO and GTti grades only)

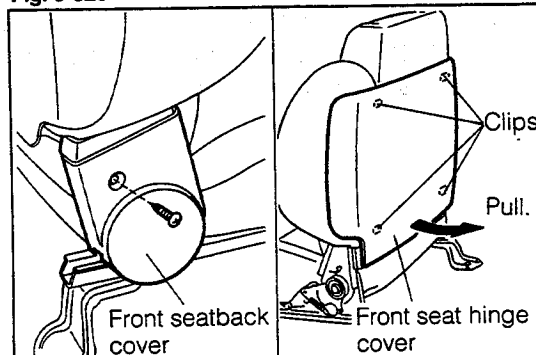


Fig. 9-321

WR-09341

7. Remove the front seatback assembly.
 - (1) Remove the four hug rings at the lower section of the seatback. (Except for TURBO and GTti grades)
 - (2) Remove the two hug rings at the reclining seat adjuster assembly side. (TURBO and GTti grades only)

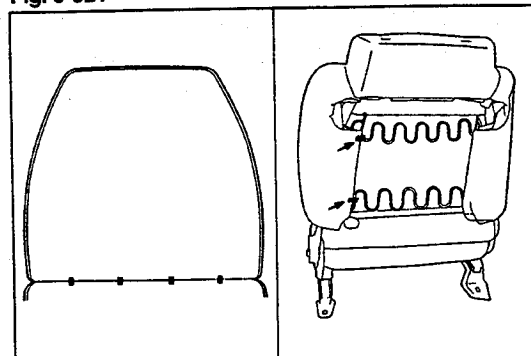


Fig. 9-322

WR-09342

BODY

- (3) Remove the seatback by removing the one nut and two bolts which are attaching the seatback.
- (4) Remove the front seat hinge cover from the seatback.

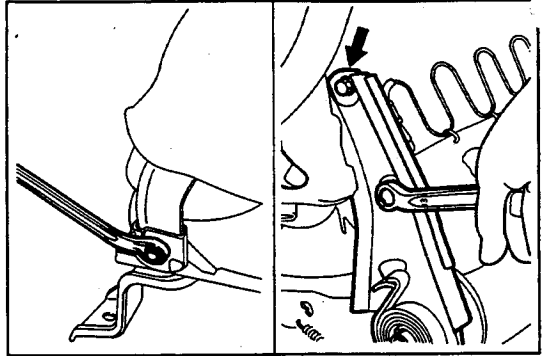


Fig. 9-323

WR-09343

9. Remove the seat cushion, reclining seat adjuster assembly and seat track assembly by removing the four bolts.

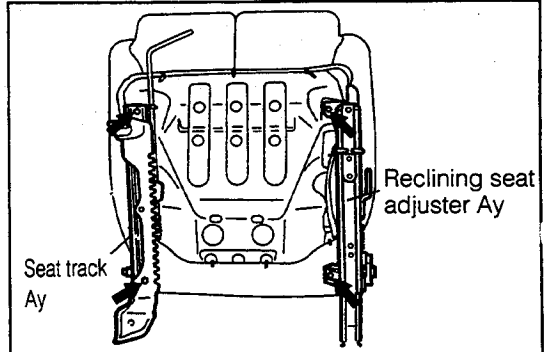


Fig. 9-324

WR-09344

10. Removal of front seatback cover

- (1) Remove the hug rings at the back side of the seatback. (TURBO and GTi grades only)

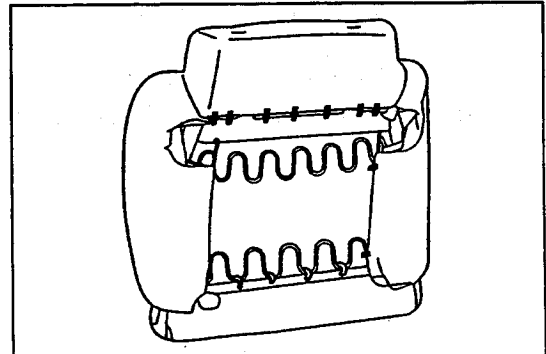


Fig. 9-325

WR-09345

- (2) Remove the front headrest support by compressing the end of the front headrest support and pulling it upward by your fingers.

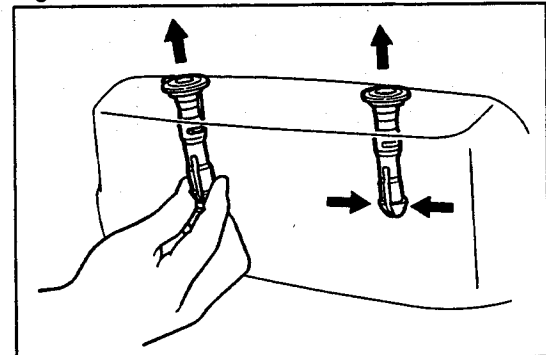


Fig. 9-326

WR-09346

- (3) Turn over the front seatback cover. Remove the front seatback cover by removing the hug rings at the upper section of the seatback.

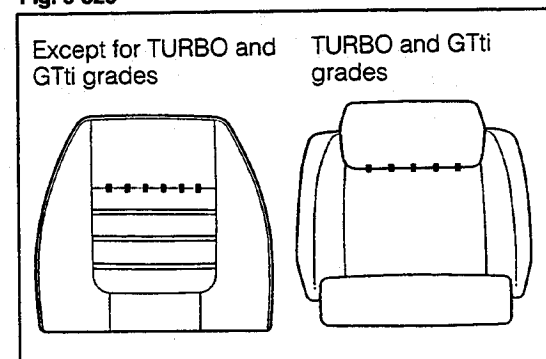


Fig. 9-327

WR-09347

1. Removal of front seat cushion cover

- (1) Remove the hug rings at the back side of the front seat cushion.

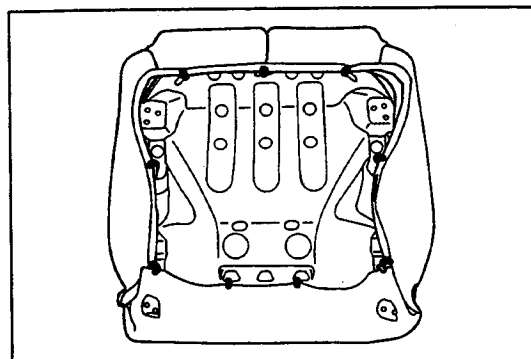


Fig. 9-328

WR-09348

- (2) Turn over the front seat cushion cover. Remove the hug rings at the front side.
- (3) Remove the front seat cushion cover.

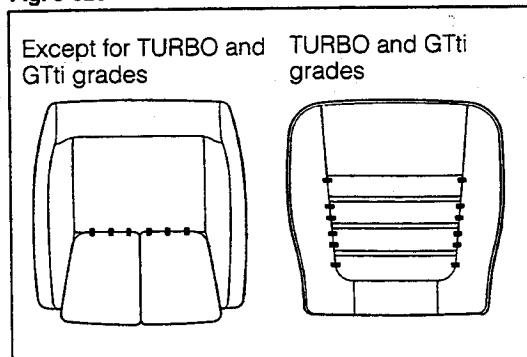


Fig. 9-329

WR-09349

ASSEMBLY

1. Installation of front seat cushion cover

- (1) Install the hug rings at the front side of the front seat cushion. (See Fig. 9-329.)
- (2) Install the hug rings at the back side of the front seat cushion.

NOTE:

- Be very careful not to smear or scratch the seat cover during the assembly.
- When installing the hug rings, make sure that no wrinkle is formed on the front seat cushion cover wherever possible.

Installation of front seatback cover

- (1) Install the hug rings at the front side of the front seatback.
- (2) Install the front headrest support.

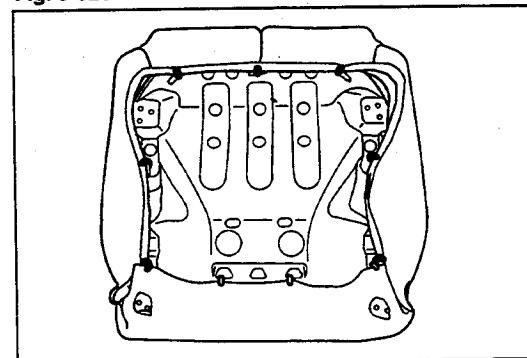


Fig. 9-330

WR-09350

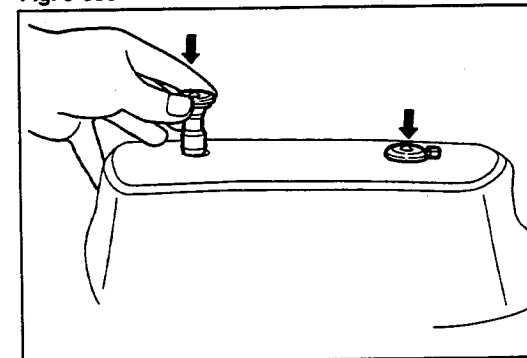


Fig. 9-331

WR-09351

- (3) Install the hug rings at the rear of the seatback at positions indicated in the right figure. (TURBO and GTti grades only)

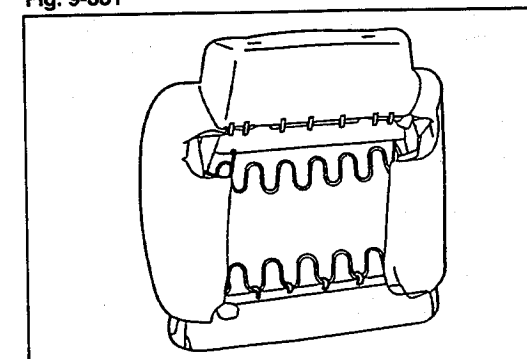


Fig. 9-332

WR-09352

BODY

3. Install the reclining seat adjuster assembly and seat track assembly to the seat cushion with the four bolts.

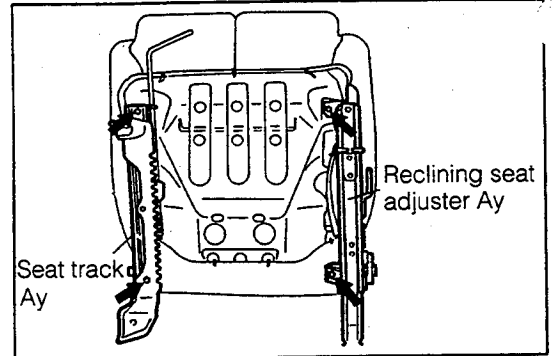


Fig. 9-333

WR-09353

4. Installation of front seatback assembly
 - (1) Install the front seat hinge cover to the front seatback assembly. Then, install them to the seat cushion with the two bolts and one nut.
 - (2) Install the hug rings from the rear of the seatback.

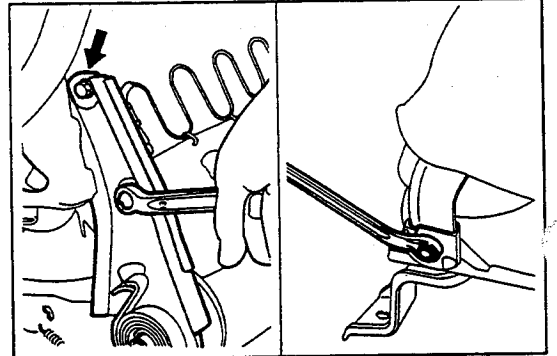


Fig. 9-334

WR-09354

5. Hook the two clips at the upper section of the front seatback cover to the seatback. Then, install the front seatback cover by pushing its lower side. (TURBO and GTti grades only)
6. Install the front seat hinge cover with one screw. (TURBO and GTti grades only)

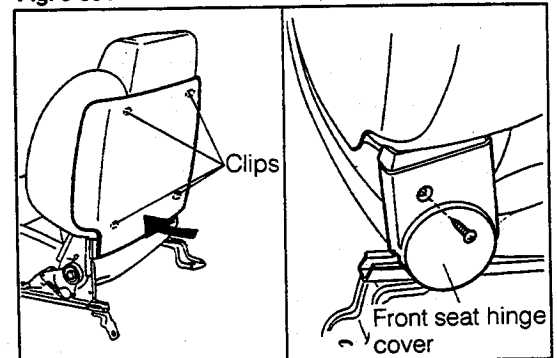


Fig. 9-335

WR-09355

7. Install the front seat cushion shield with the screws.
VAN, TC and TX grades: Two screws
Except for VAN, TC and TX grades: Three screws

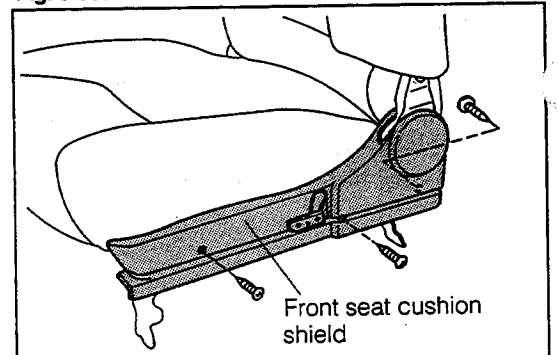


Fig. 9-336

WR-09356

8. Install the reclining hinge cover with the one screw. (TURBO and GTti grades only)
9. Install the adjusting reclining release handle with the one screw.
10. Install the headrest.

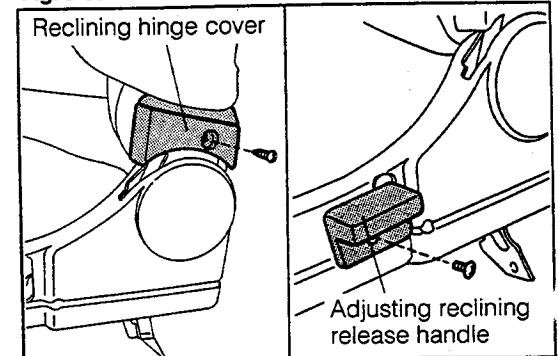


Fig. 9-337

WR-09357

INSTALLATION

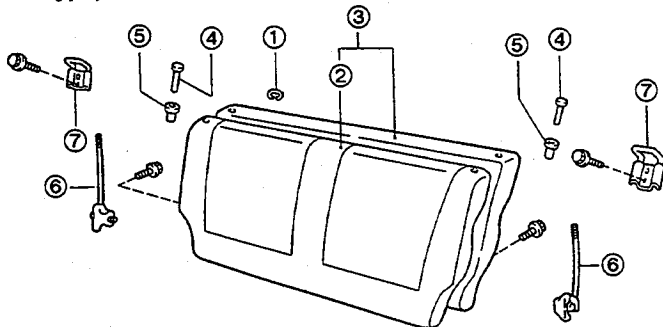
Install the front seat with the four bolts.

Tightening Torque: 1.5 - 2.4 kg-m (11 - 17 ft-lb)

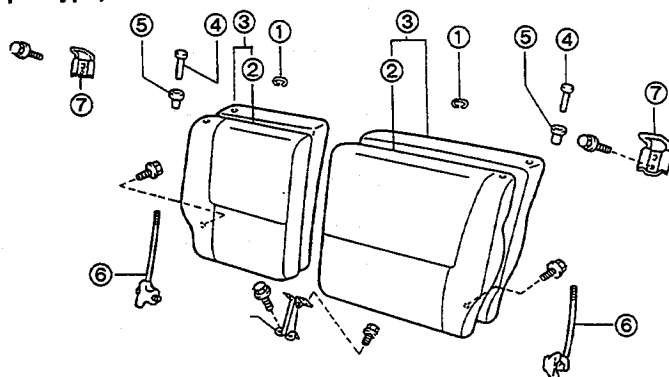
REAR SEAT COMPONENTS

Seatback

(Bench type)



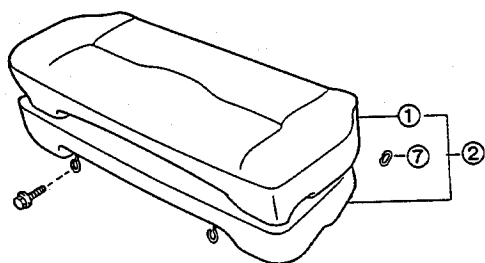
(Split type)



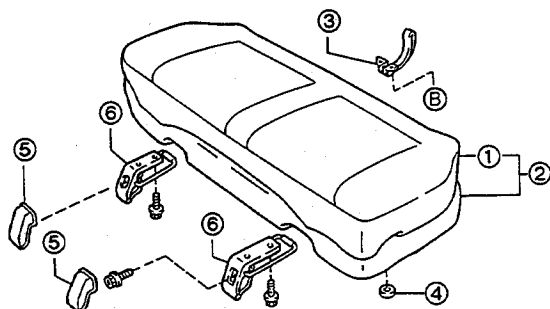
- ① Hug ring
- ② Rear seatback cover
- ③ Rear seatback Ay
- ④ Rear seatback stop release button
- ⑤ Rear seatback stop button grommet
- ⑥ Rear seatback lock Ay
- ⑦ Rear seatback lock striker S/A

Seat Cushion

(Fixed type)



(Rise-up type)



- ① Rear seat cushion cover
- ② Rear seat cushion Ay
- ③ Rear seat turn lock Ay
- ④ Cushion
- ⑤ Rear seat cushion hinge cover
- ⑥ Rear seat cushion hinge Ay
- ⑦ Hug ring

Fig. 9-338

WR-09358

BODY

REAR SEATBACK ASSEMBLY

Removal

1. Removal of rear seatback assembly
 - (1) Turn over the deck carpet. Remove the attaching bolts of the rear seatback assembly.
Bench type: Bolts 4 pcs.
Split type: Bolts 8 pcs.
 - (2) Remove the rear seatback assembly from the vehicle.

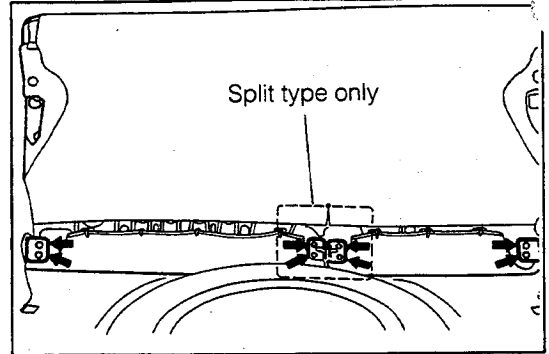


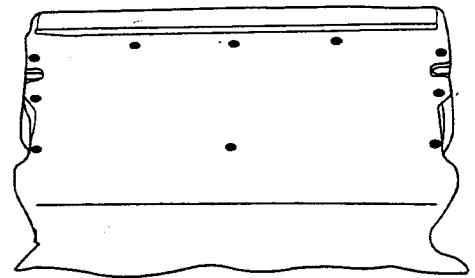
Fig. 9-339

WR-09359

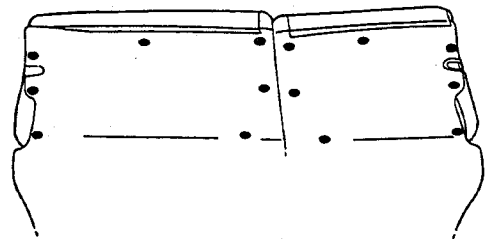
Disassembly

1. Remove the deck carpet from the rear seatback assembly by detaching the clips.
Bench type: Clips 10 pcs.
Split type: Clips 14 pcs.

Bench type



Split type



●: Clip positions

Fig. 9-340

WR-09360

2. Detach the rear seatback stop release buttons and rear seatback stop button grommets from the rear seatback assembly.

Rear seatback stop release buttons

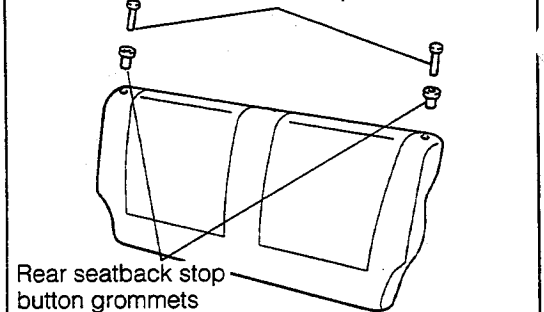


Fig. 9-341

WR-09362

3. Removal of rear seatback cover
 - (1) Detach the hug rings at the back side of the rear seatback.

Bench type

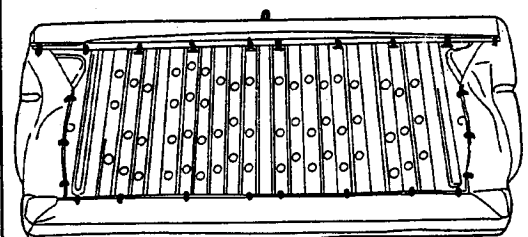


Fig. 9-342

WR-09362

- (2) Turn over the rear seatback cushion cover. Detach the hug rings at the front side.
- (3) Remove the rear seatback cushion cover.

Assembly

1. Installation of rear seatback cover
 - (1) Install the hug rings at the front side of the rear seatback.
 - (2) Install the hug rings at the back side of the rear seatback.

NOTE:

- Be very careful not to smear or scratch the rear seatback cover during the assembly.
- When installing the hug rings, make sure that no wrinkle is formed on the rear seatback cover whenever possible.

2. Install the rear seatback stop button grommets and rear seatback stop release buttons on the rear seatback assembly.
3. Install the deck carpet on the rear seatback assembly with the clips. (See Fig. 9-340.)

Bench type: Clips 10 pcs.

Split type: Clips 14 pcs.

Installation

1. Installation of rear seatback assembly
 - (1) Temporarily install the rear seatback assembly on the vehicle with the bolts.

Bench type: Bolts 4 pcs.

Split type: Bolts 8 pcs.

NOTE:

The rear seatback attaching bolts should be installed at those positions specified in the right figure.

- (2) Tighten the bolts.

Tightening Torque: 0.4 - 0.7 kg-m (2.9 - 5.1 ft-lb)

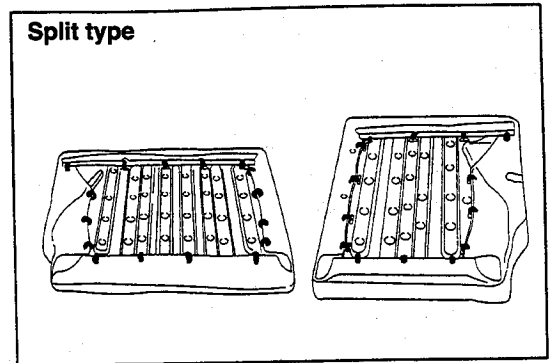
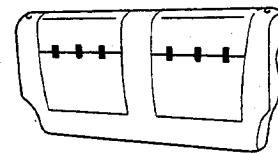


Fig. 9-343

WR-09363

Except for TURBO, GTti and VAN grades



TURBO and GTti grades

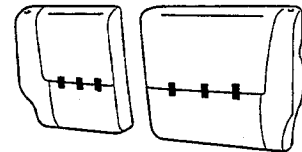


Fig. 9-344

WR-09364

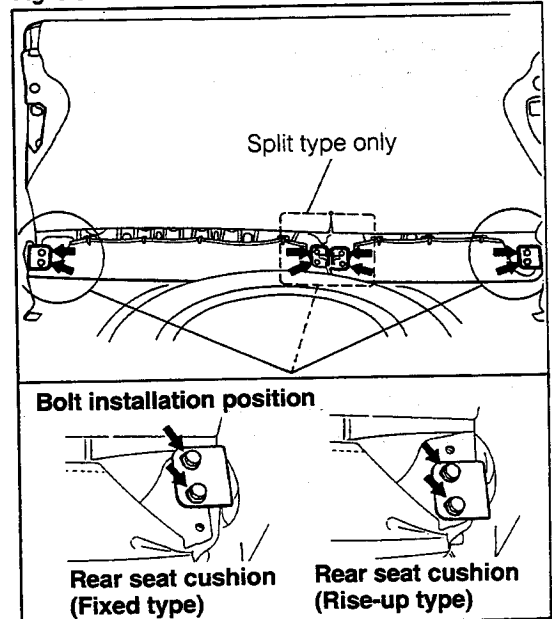


Fig. 9-345

WR-09365

BODY

REAR SEAT CUSHION ASSEMBLY

Removal

1. Removal of fixed type rear seat cushion
 - (1) Remove the rear seatback assembly. (See Fig. 9-339.)
 - (2) Remove the two attaching bolts of the rear seat cushion assembly
 - (3) Slightly raise the forward section of the rear seat cushion assembly and push it backward so as to disengage the hook.
 - (4) Remove the rear seat cushion assembly from the vehicle.
2. Removal of rise-up type rear seat cushion assembly
 - (1) Remove the hinge cover.
 - (2) Remove the rear seat cushion hinge attaching bolts.
 - (3) Pull the belt and disengage the lock.
 - (4) Remove the rear seat cushion assembly from the vehicle.

Disassembly

1. Detach the hug rings at the back side of the rear seat cushion assembly. (Fixed type only)
2. Remove the rear seat cushion hinge assembly and rear seat turn lock assembly. (Rise-up type only)
3. Remove the rear seat cushion cover from the rear seat cushion frame. (Rise-up type only)

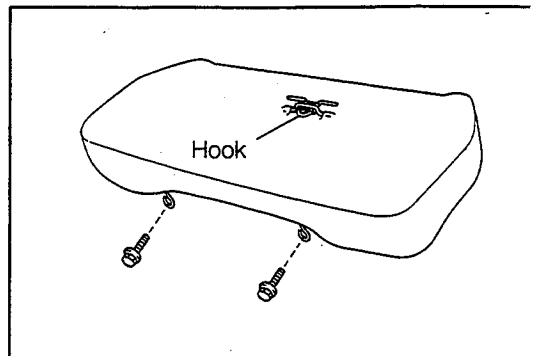


Fig. 9-346

WR-09366

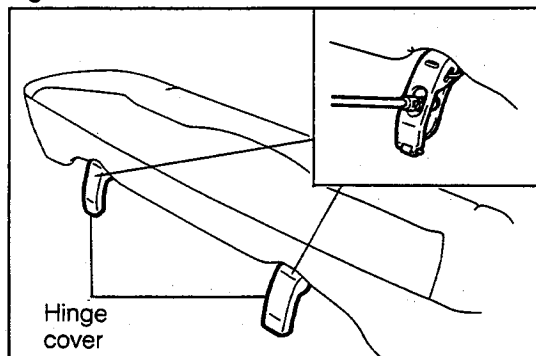


Fig. 9-347

WR-09367

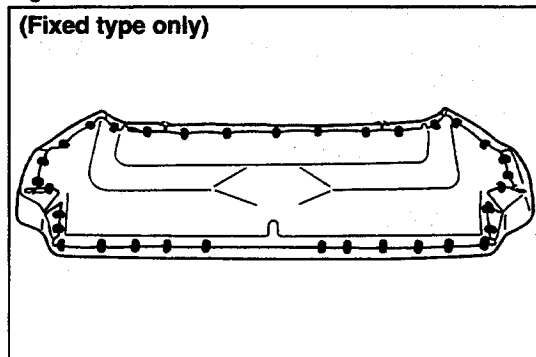


Fig. 9-348

WR-09368

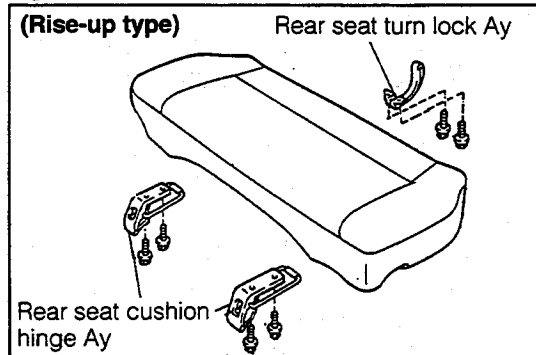


Fig. 9-349

WR-09369

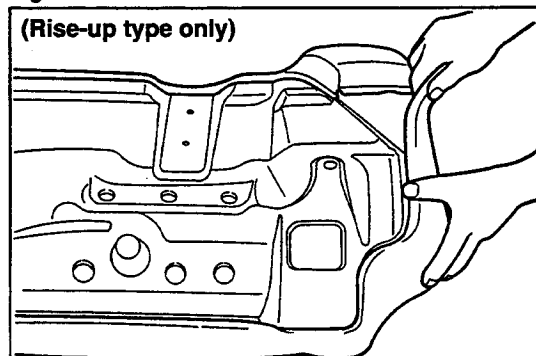


Fig. 9-350

WR-09370

- Turn over the rear seat cushion cover. Detach the hug rings at the front side of the cover.
5. Remove the rear seat cushion cover.

Assembly

1. Install the hug rings at the front side of the rear seat cushion.
2. Install the hug rings at the back side of the rear seat cushion. (Fixed type only)
3. Attach the rear seat cushion cover to the rear seat cushion frame. (Rise-up type only)

NOTE:

- Be very careful not to smear or scratch the rear seat cushion cover during the assembly.
- When installing the rear seat cushion cover, make sure that no wrinkle is formed whenever possible.

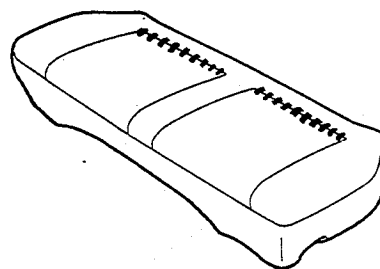
4. Install the rear seat cushion hinge assembly and rear seat turn lock assembly on the back side of the rear seat cushion. (Rise-up type only)

Installation

1. Installation of fixed type rear seat cushion assembly
 - (1) Align and engage the hook at the rear seat cushion side with the hook at the floor side, as indicated in the right figure.
 - (2) Install the rear seat cushion assembly with the two bolts.
Tightening Torque: 1.5 - 2.4 kg-m (11 - 17 ft-lb)
 - (3) Install the rear seatback assembly. (See Fig. 9-345.)

2. Installation of rise-up type rear seat cushion assembly
 - (1) Temporarily install the attaching bolts of the rear seat cushion hinge assembly.
 - (2) Ensure that the rear seat turn lock is functioning properly.
 - (3) Tighten the attaching bolts of the rear seat cushion hinge assembly.
Tightening Torque: 1.5 - 2.4 kg-m (11 - 17 ft-lb)
 - (4) Install the hinge cover.

Except for TURBO and GTti grades



TURBO and GTti grades

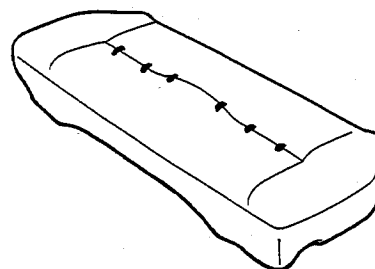
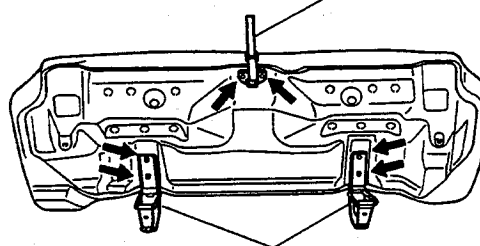


Fig. 9-351

WR-09371

Rear seat turn lock Ay



Rear seat cushion hinge Ay

Fig. 9-352

WR-09372

Hook

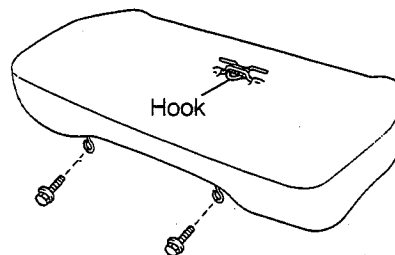


Fig. 9-353

WR-09373

Hinge cover.

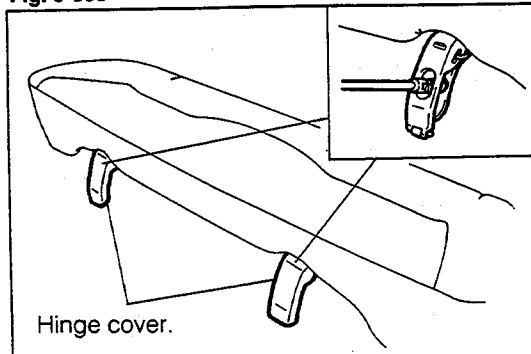
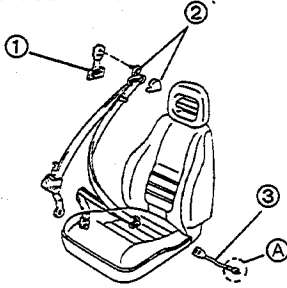


Fig. 9-354

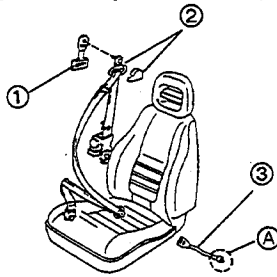
WR-09374

Front

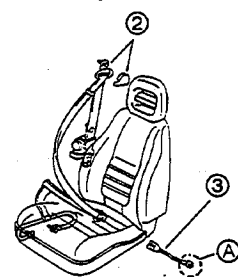
5-door model



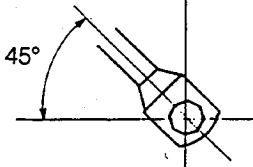
**3-door model
(General specifications)**



(ECE & EEC specifications)



A Installing direction of front seat inner belt Ay

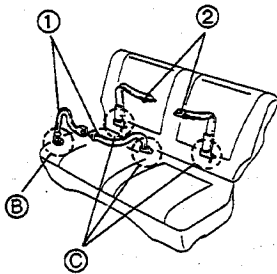


**Bolt Tightening Torque T: 2.9 - 5.4 kg-m
21 - 39 ft-lb**

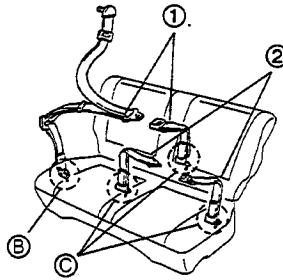
- ① Front seat belt adjuster Ay
- ② Front seat outer belt Ay
- ③ Front seat inner belt Ay

Rear

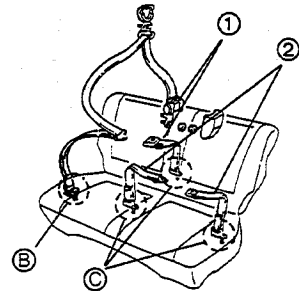
2-point (NR) × 3



3-point (NR) × 2 and 2-point (NR)

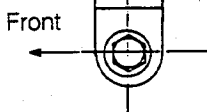


3-point (ELR) × 2 and 2-point (NR)

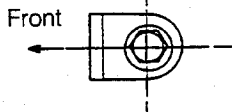


B Installing direction of rear seat belt lap outer anchor

(Quarter house side)



C Installing direction of rear seat belt lap inner anchor



**Bolt Tightening Torque T: 2.9 - 5.4 kg-m
21 - 39 ft-lb**

- ① Rear seat lap belt Ay
- ② Rear seat lap center belt Ay

Fig. 9-355

WR-09375

Inspection

ELR Locking Check

Slowly tilt the retractor from the installation angle. Ensure that no belt locking takes place within 15 degrees in all directions. Also, ensure that the locked state is retained when the retractor is tilted 45 degrees or more.

NOTE:

- Never attempt to disassemble the retractor.
- After the anchor bolts have been tightened, make sure that each anchor can move in the bolt's circumferential direction.
- Be sure that the belt in the installed state can be pulled out smoothly and also it can be retracted smoothly into position.

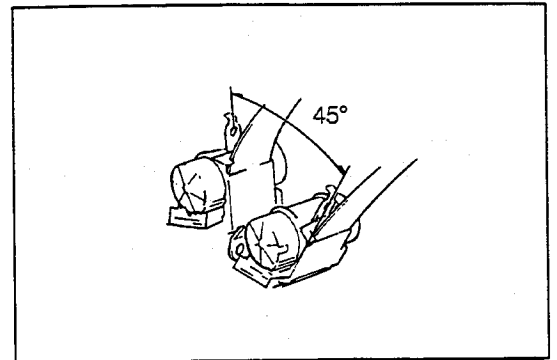


Fig. 9-356

WR-09376

BODY DIMENSIONS

BODY

WR-09377

Point code	Measuring point	Diameter
M, m	Rear strut bar installation hole, inner	12.5 (0.49)
N, n	Rear floor side member reference hole, front	15 (0.59)
O, o	Rear floor cross member reference hole, outer	12 (0.47) RH 9 (0.35) LH
P, p	Rear side member bumper installation hole, rear	13 (0.51)

Unit: mm (inch)

Point code	Measuring point	Diameter
H, h	Front cross member reference hole, lower	15 (0.59)
I, i	Front side member reference hole, front lower	10 (0.39)
J, j	Lower arm installation nut, inner	13 (0.51)
K, k	Front fender rear apron reference hole	10 (0.59)
L, l	Front floor under reinforcement reference hole, rear	20 (0.79)

[Underbody]

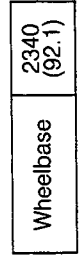
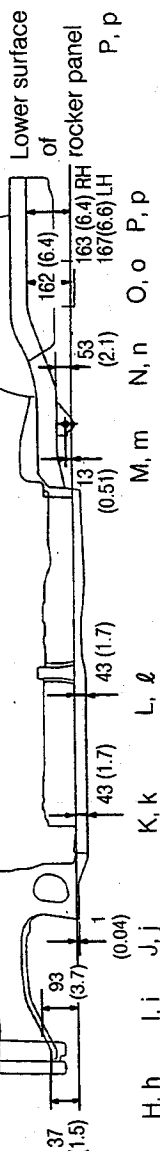
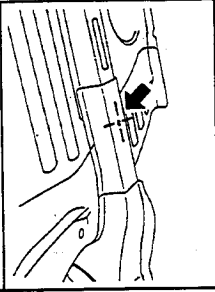
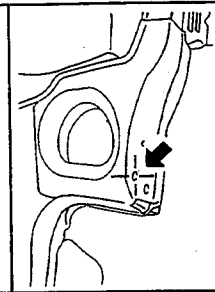
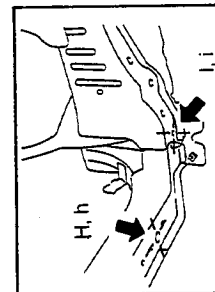
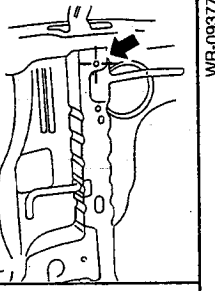
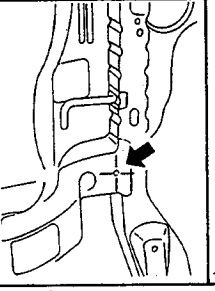
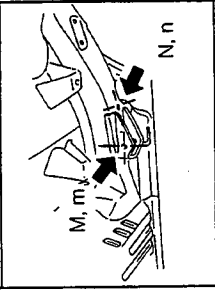
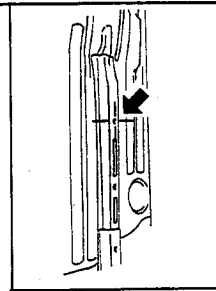
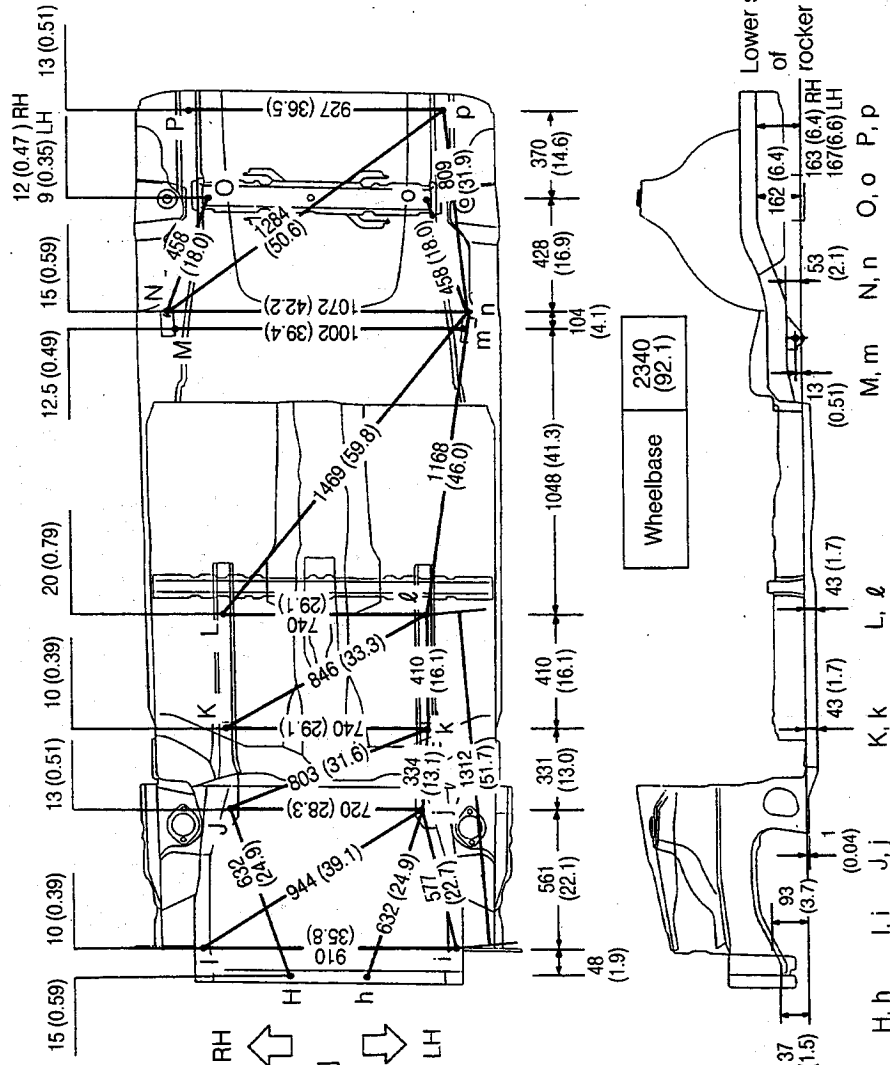


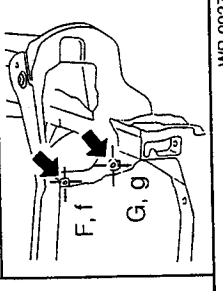
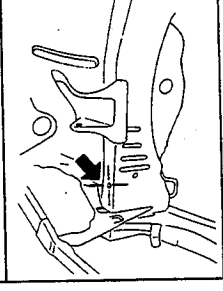
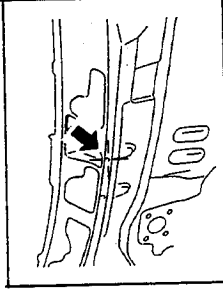
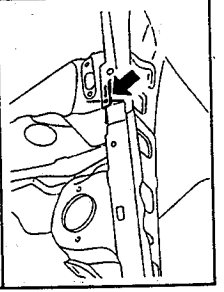
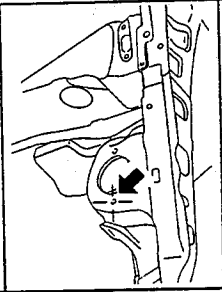
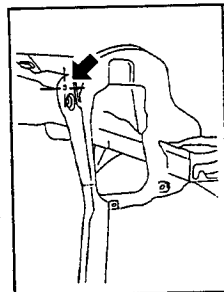
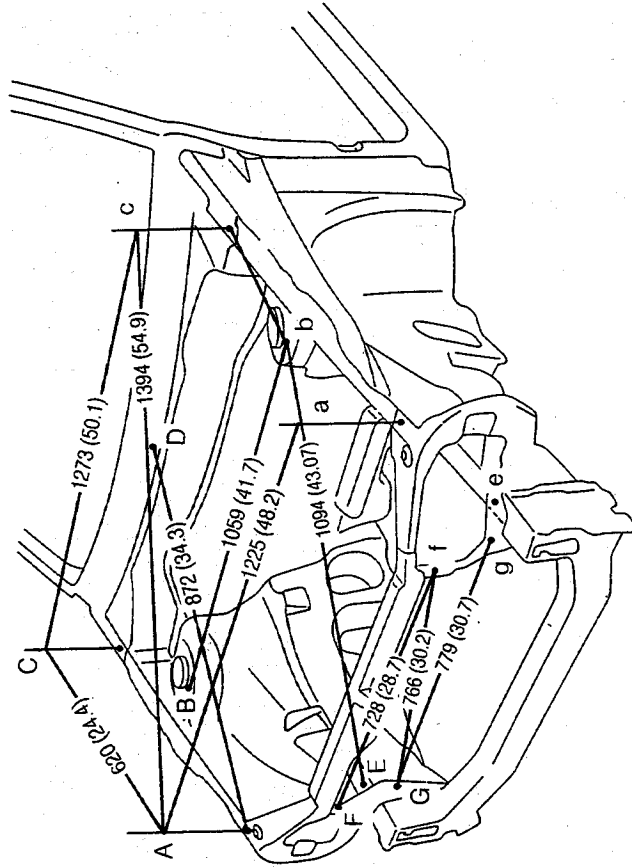
Fig. 9-357

Point code	Measuring point	Diameter
E, e	Front side member bumper installation hole	11 (0.43)
F, f	Headlamp installation hole, upper	9x6.5 (0.35x0.26)
G, g	Headlamp installation hole, lower	9 (0.35)

Unit: mm (inch)

Point code	Measuring point	Diameter
A, a	Fender installation nut, front	7 (0.28)
B, b	Front spring support hole, front	10 (0.39)
C, c	Fender installation nut, rear	7 (0.28)
D	Hood-to-cowl top seal installation hole (Center of vehicle)	7 (0.28)

[Engine compartment]



WR-05378

Fig. 9-358