

DAIHATSU
TYPE CB
ENGINE

2

[CB-23, CB-61 & CB-80]

SECTION 2
THE ENGINE PROPER

ENGINE SECTIONAL VIEWS	2- 2
CB-23	2- 2
CB-61	2- 4
CB-80	2- 6
ENGINE COMPONENTS AND	
TIGHTENING TORQUE	2- 8
CB-23 and CB-61	2- 8
CB-80	2- 9
MAIN SERVICE SPECIFICATIONS	2-10

WM-02001

THE ENGINE PROPER

ENGINE SECTIONAL VIEWS

CB-23

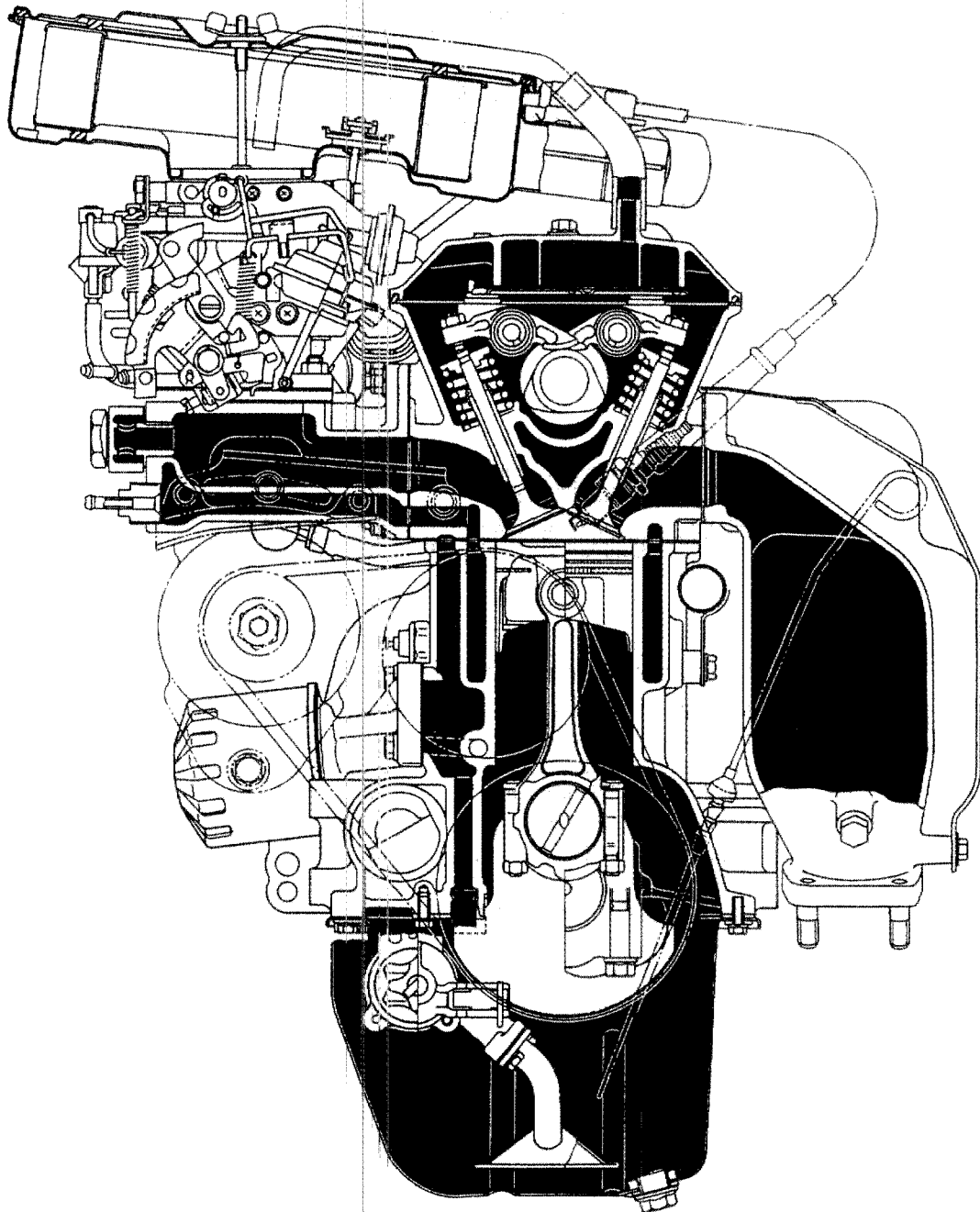


Fig. 2-1

WM-02002

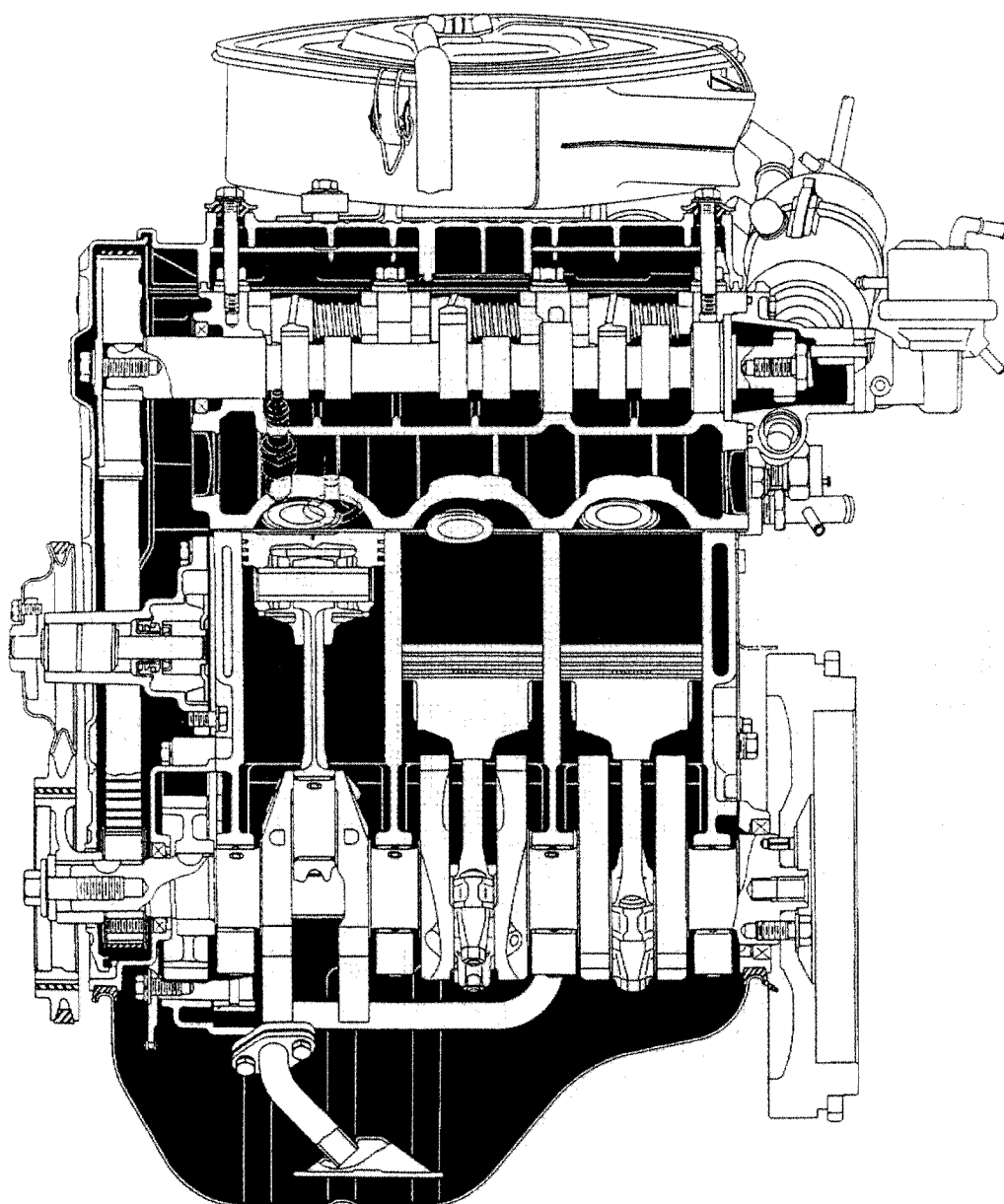


Fig. 2-2

WM-02003

THE ENGINE PROPER

CB-61

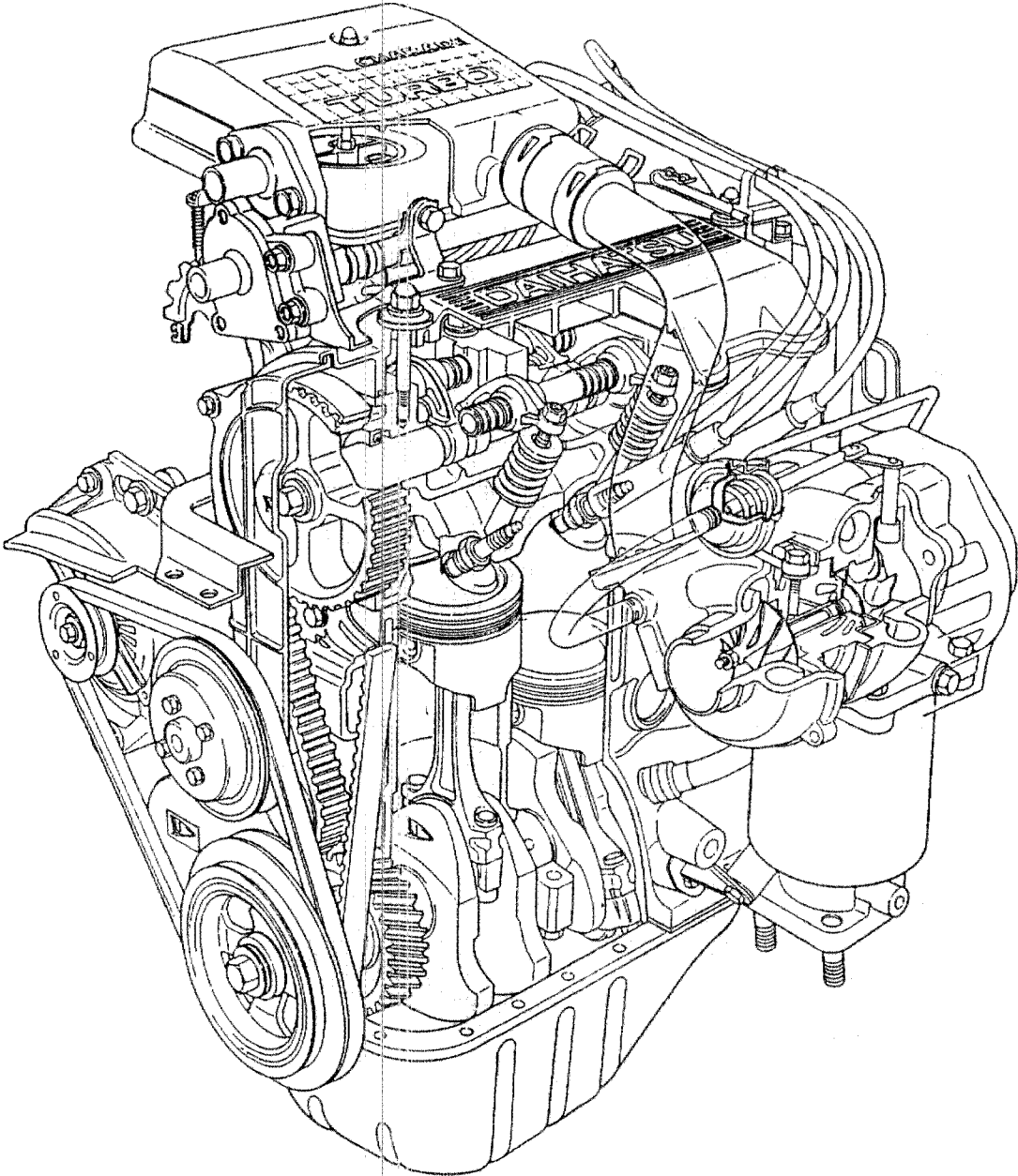


Fig. 2-3

WM-02004

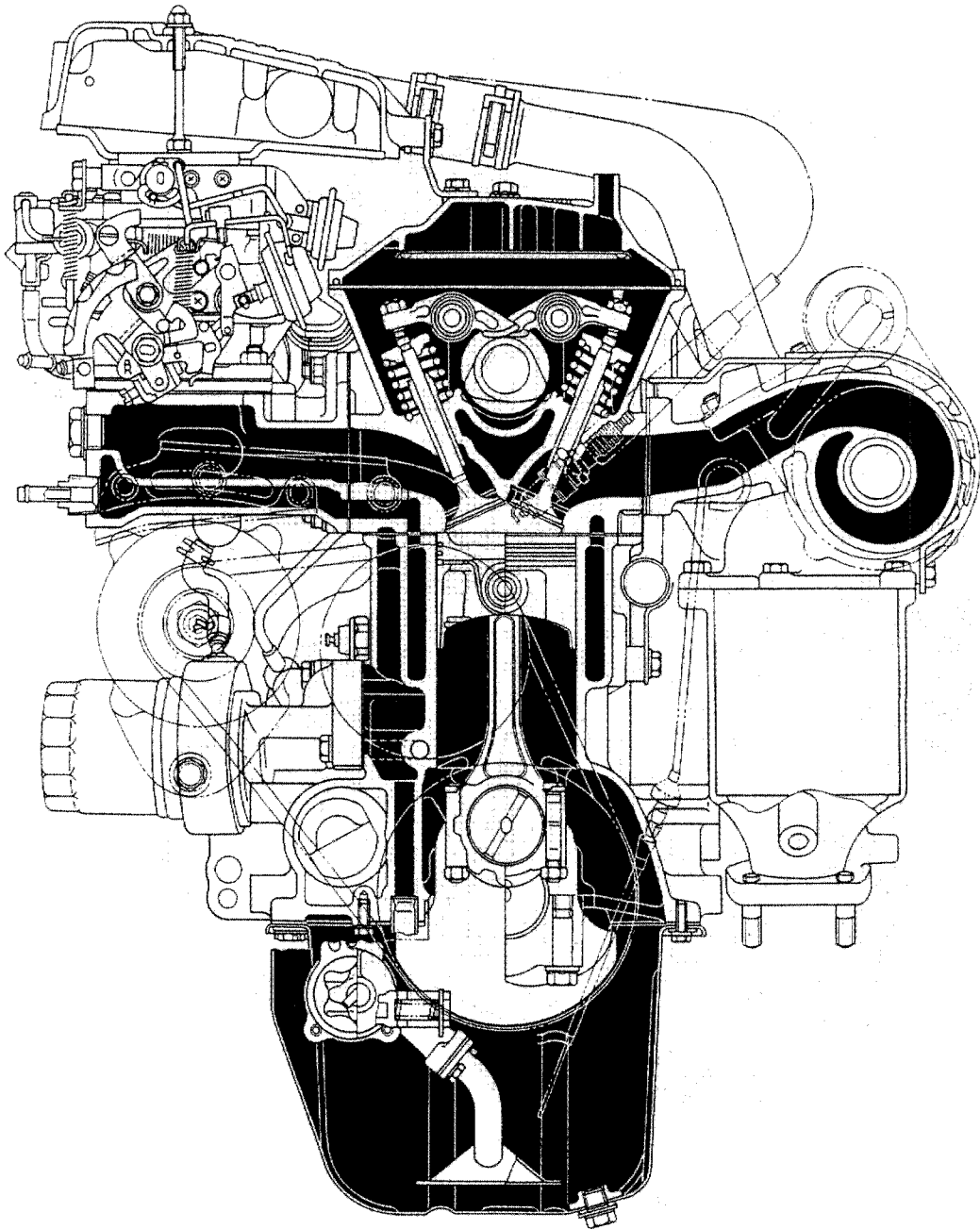


Fig. 2-4

WM-02005