

THE ENGINE PROPER

CB-80

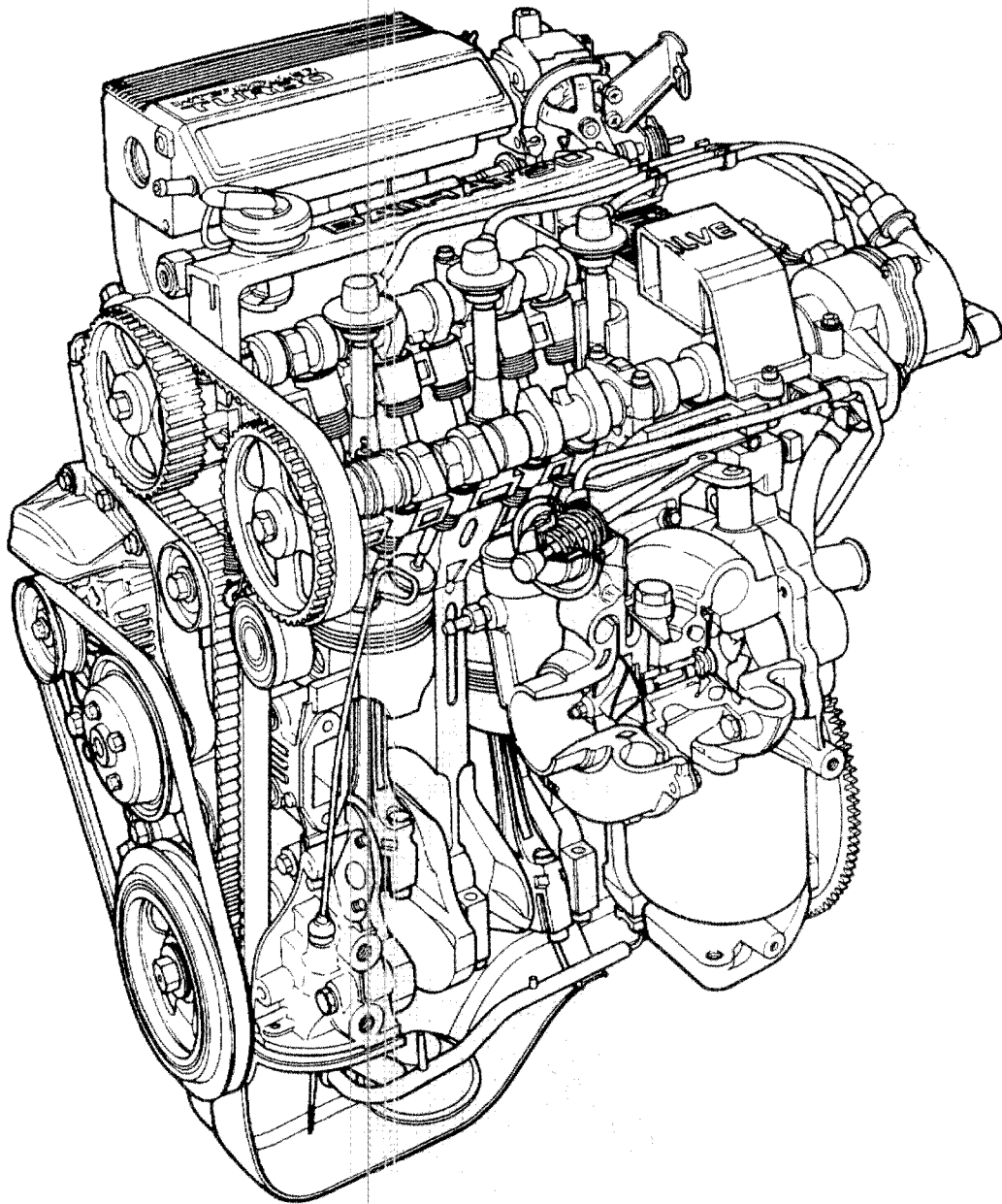


Fig. 2-5

WM-02006

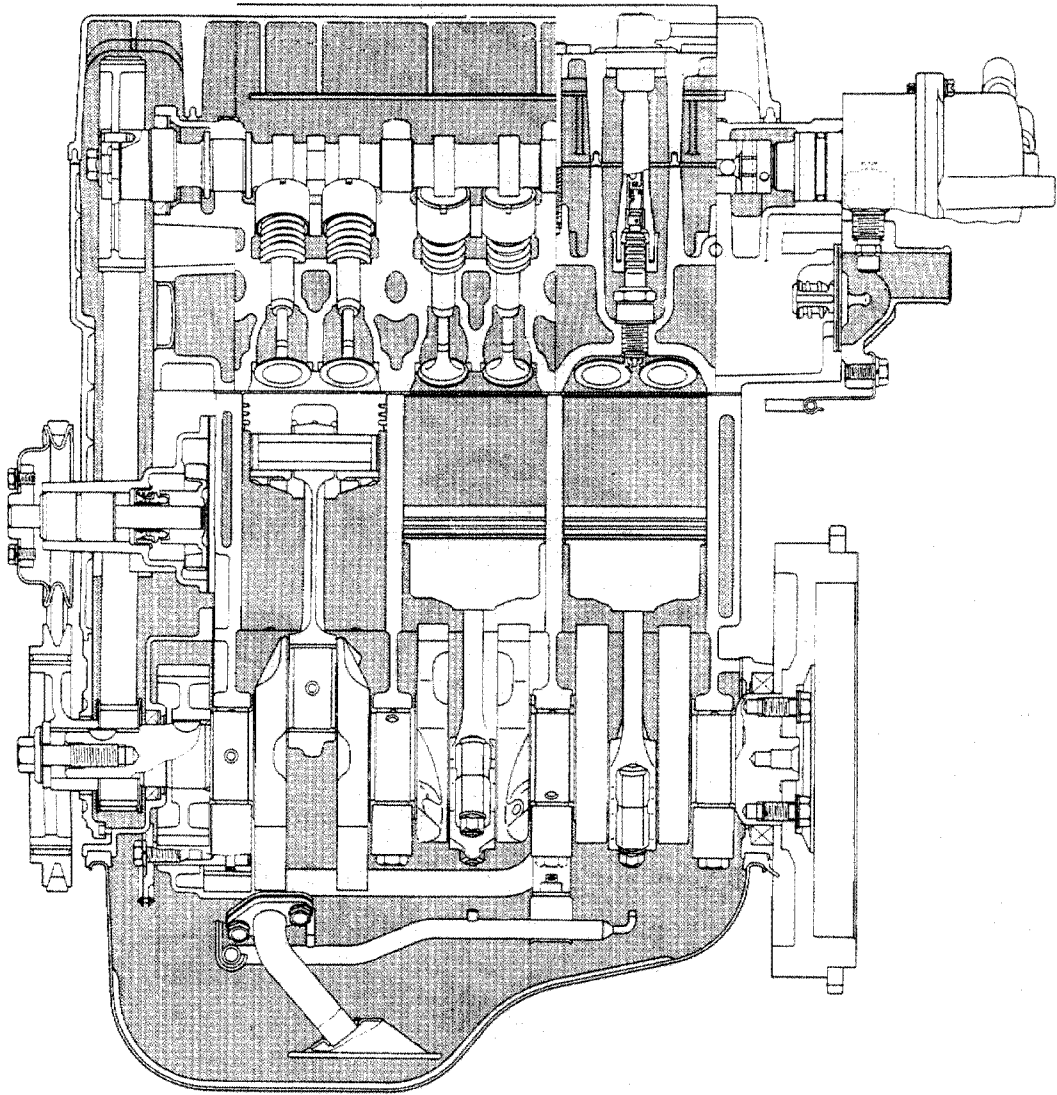


Fig. 2-6

WM-02007

THE ENGINE PROPER

ENGINE COMPONENTS AND TIGHTENING TORQUE

CB-23 and CB-61

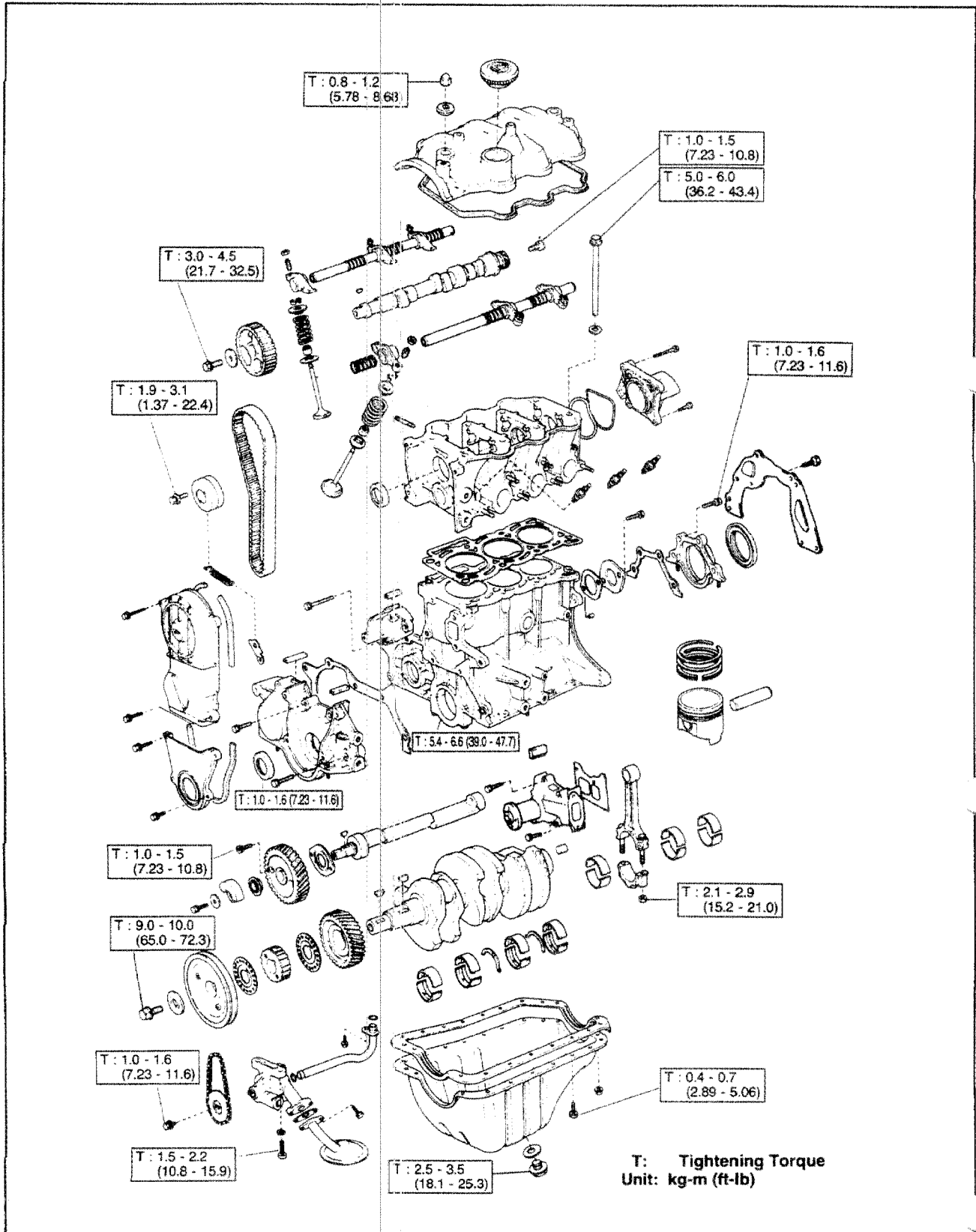


Fig. 2-7

WM-02008

B-80

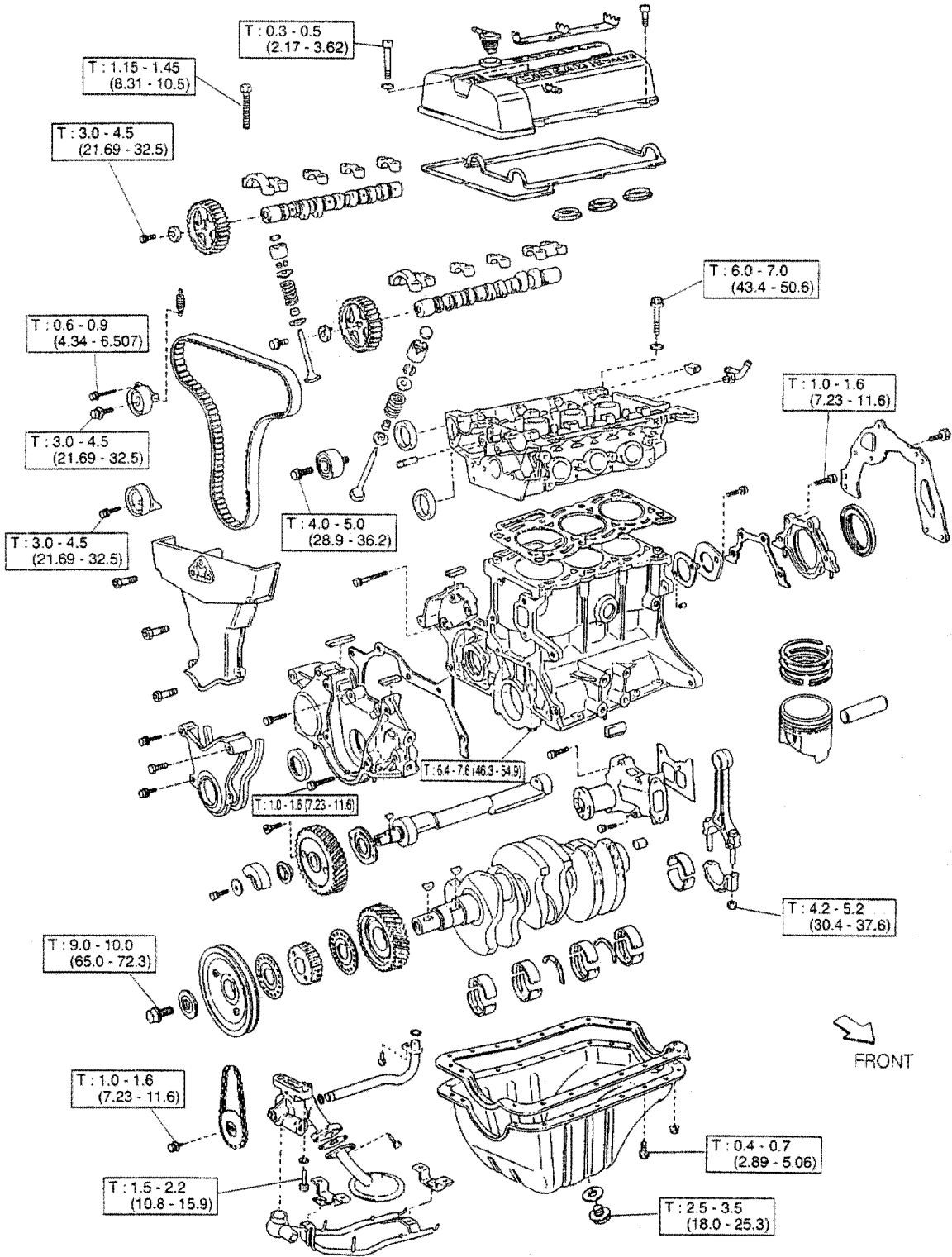


Fig. 2-8

WV-02009