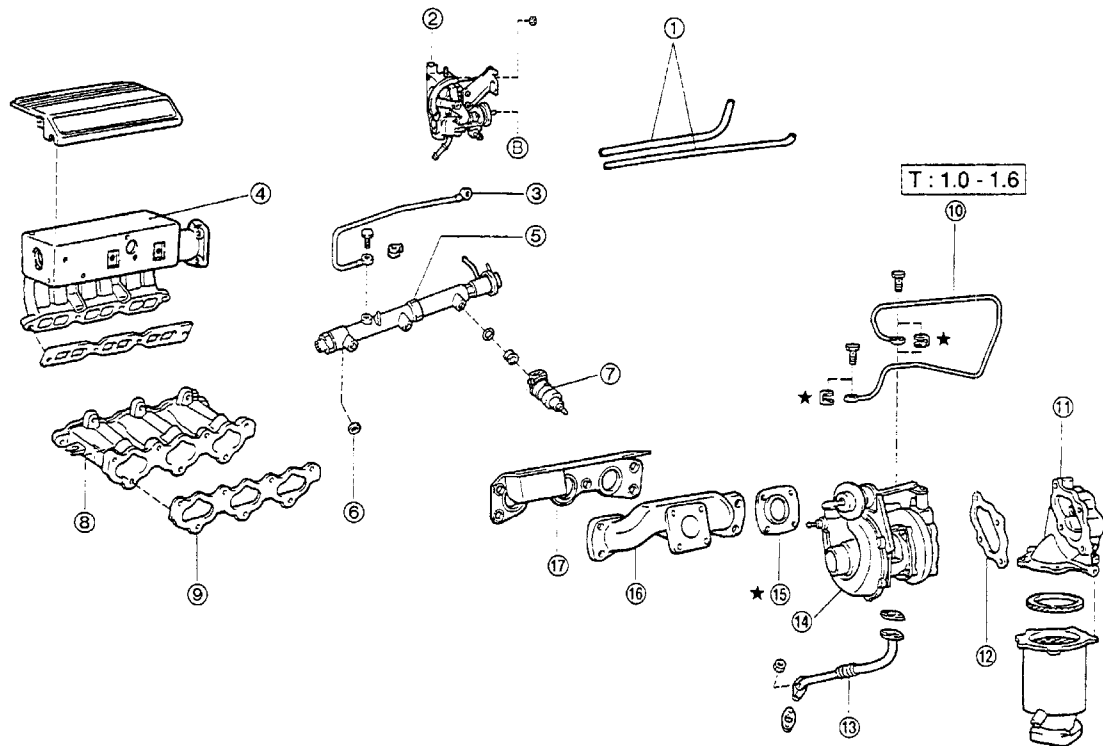


**B-80 ENGINE
COMPONENTS OF INTAKE AND EXHAUST SYSTEM**



(1)
T : Tightening torque
Unit: kg-m
★ : Non-reusable part

- ① Hoses
- ② Throttle body
- ③ Fuel pipe (Cold start injector)
- ④ Air surge tank
- ⑤ Fuel delivery pipe
- ⑥ Fuel delivery pipe insulator
- ⑦ Fuel injector Ay
- ⑧ Intake manifold
- ⑨ Intake manifold-to-cylinder head gasket
- ⑩ Turbocharger oil inlet pipe S/A
- ⑪ Exhaust manifold case
- ⑫ Turbocharger-to-exhaust manifold gasket
- ⑬ Turbocharger oil outlet pipe S/A
- ⑭ Turbocharger Ay
- ⑮ Turbocharger-to-exhaust manifold gasket
- ⑯ Exhaust manifold Ay
- ⑰ Exhaust manifold-to-cylinder head gasket

Fig. 5-65

WV-05074

ENGINE MECHANICALS

REMOVAL

1. Remove the hoses.

NOTE:

When removing the vacuum hoses, put a tag on each removed hose so that the hoses may be installed correctly in the original position.

2. Remove the surge tank cover.
3. Remove the fuel pipe for cold start injector use.

NOTE:

When removing the pipe, the fuel will be discharged. Hence, be sure to get a cloth ready to receive the fuel.

4. Remove the throttle body.

5. Remove the air surge tank assembly.
6. Remove the fuel delivery pipe.
7. Remove the fuel delivery pipe insulator.

8. Remove the intake manifold.

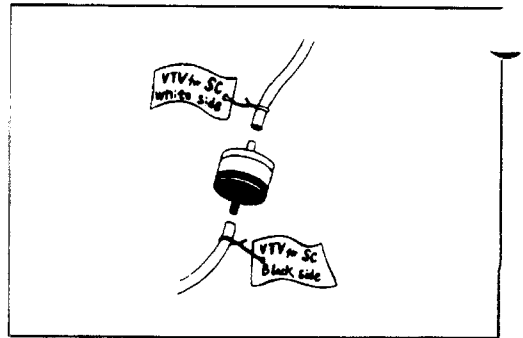


Fig. 5-66

WM-05075

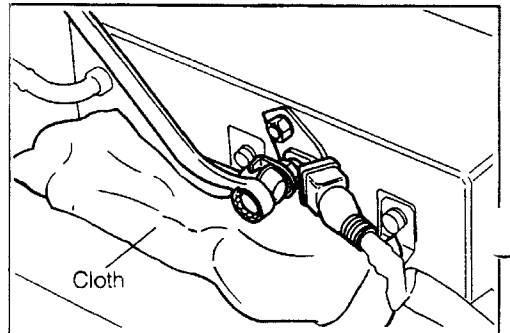


Fig. 5-67

WM-05076

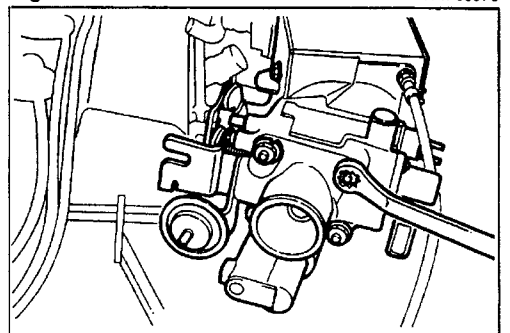


Fig. 5-68

WM-05077

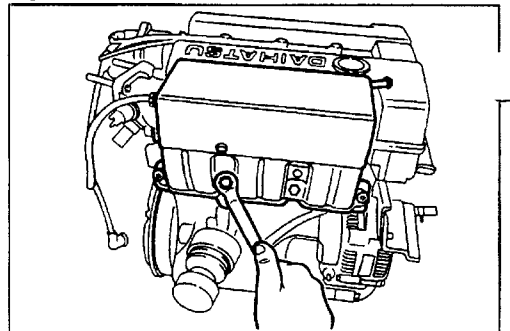


Fig. 5-69

WM-05078

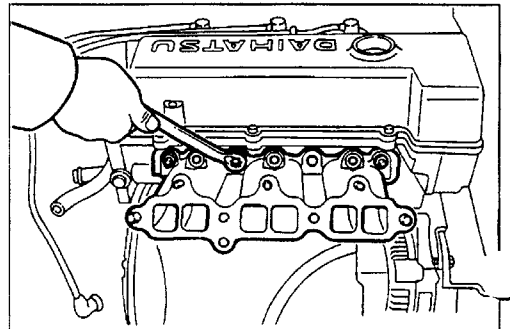


Fig. 5-70

WM-05079

- Remove the turbocharger oil inlet pipe subassembly.
- J. Remove the exhaust manifold case.

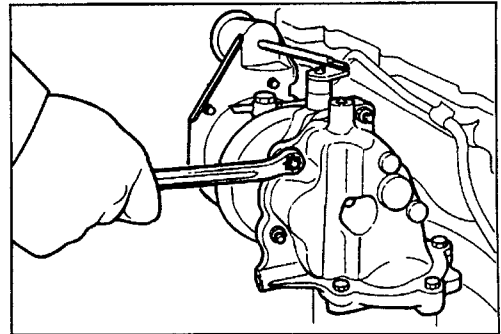


Fig. 5-71

WM-05080

- 11. Remove the turbocharger oil outlet pipe subassembly.

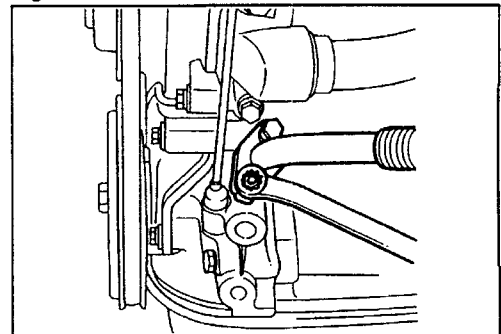


Fig. 5-72

WM-05081

- 12. Remove the turbocharger assembly.

NOTE:

For the handling instructions on the removed turbocharger assembly, see page 9-3.

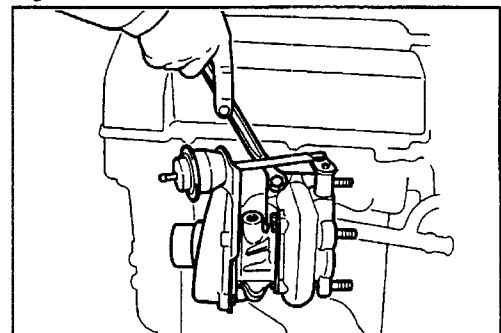


Fig. 5-73

WM-05082

- 13. Remove the exhaust manifold.

- 14. Remove the exhaust manifold-to-cylinder head gasket.

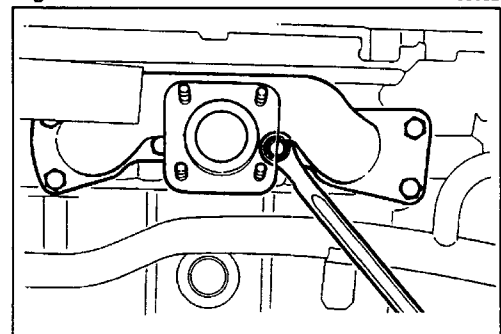


Fig. 5-74

WM-05083

INSPECTION

- 1. Check the surge tank and cylinder head attaching surfaces of the intake manifold for distortion. Measure the distortion on the diagonal lines.

Allowable Limit: 0.1 mm (0.0039 inch)

If the distortion exceeds the allowable limit, correct the surface by grinding it. However, this grinding amount should be limited to 0.3 mm (0.012 inch).

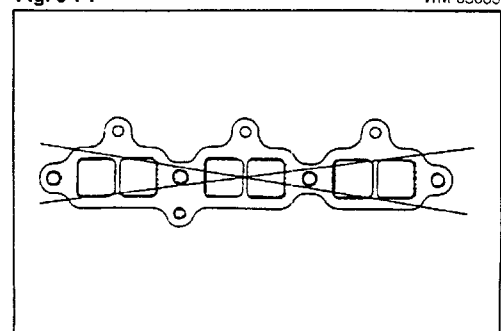


Fig. 5-75

WM-05084

ENGINE MECHANICALS

2. Check the turbocharger. (See the section under "Turbocharger Check" (page 9-4).)

WM-0506

INSTALLATION

1. Install the exhaust manifold-to-cylinder head gasket.
NOTE:
When installing a new gasket, install it with the projected section facing toward the manifold side.
2. Install the exhaust manifold.
Tightening Torque: 4.0 - 5.0 kg-m (29 - 36 ft-lb)

3. Install the turbocharger assembly.
NOTE:
For handling instructions on the turbocharger assembly prior to its assembly, see page 9-3.
Tightening Torque: 2.5 - 3.3 kg-m (18 - 24 ft-lb)

4. Install the turbocharger oil outlet pipe subassembly.

5. Install the exhaust manifold case.
Tightening Torque: 2.5 - 3.3 kg-m (18 - 24 ft-lb)
6. Install the turbocharger oil inlet pipe subassembly.

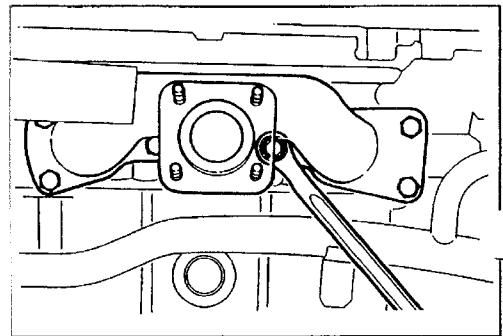


Fig. 5-76

WM-05066

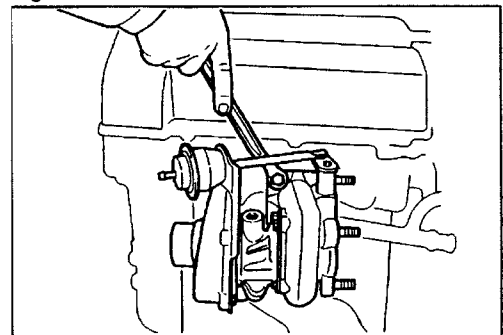


Fig. 5-77

WM-05087

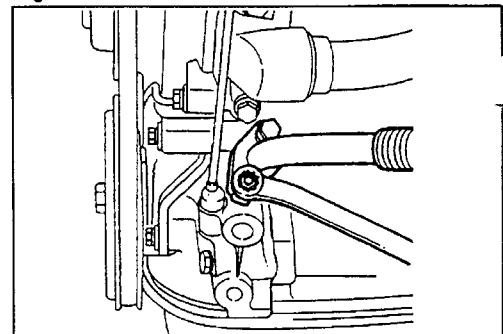


Fig. 5-78

WM-05088

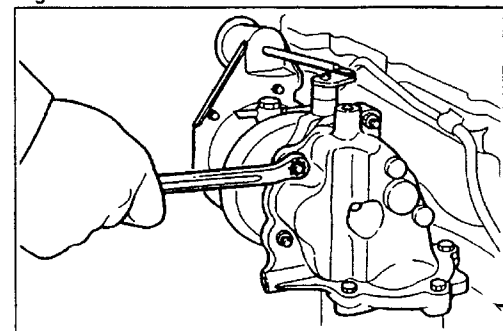


Fig. 5-79

WM-05089

ENGINE MECHANICALS

7. Install the intake manifold.
Tightening Torque: 1.7 - 2.5 kg-m (12 - 18 ft-lb)
NOTE:
The gasket is a nonreusable part.

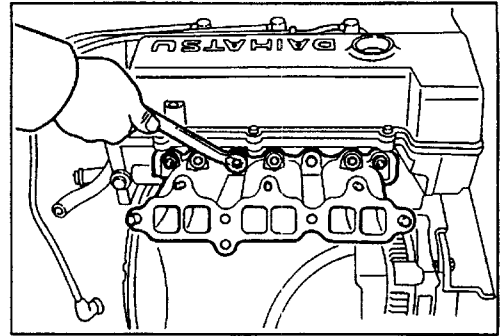


Fig. 5-80

WM-05090

8. Install the fuel delivery pipe insulator.
9. Install the fuel injector.

WM-05091

10. Install the fuel delivery pipe.
11. Install the air surge tank assembly.
Tightening Torque: 3.5 - 4.5 kg-m (25 - 32 ft-lb)

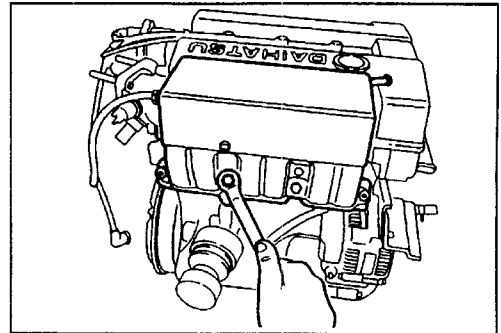


Fig. 5-81

WM-05092

12. Install the throttle body.
13. Install the fuel pipe (for cold start injector use)

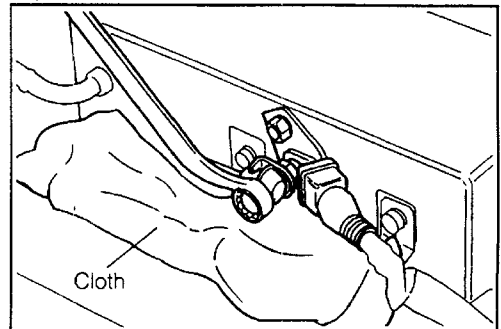


Fig. 5-82

WM-05093

14. Install the hoses.
NOTE:
Be sure to install the hoses correctly according to the tags which were put during the removal.

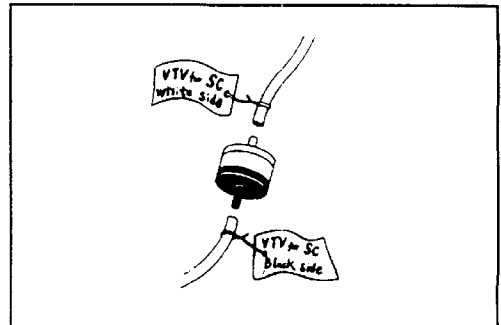


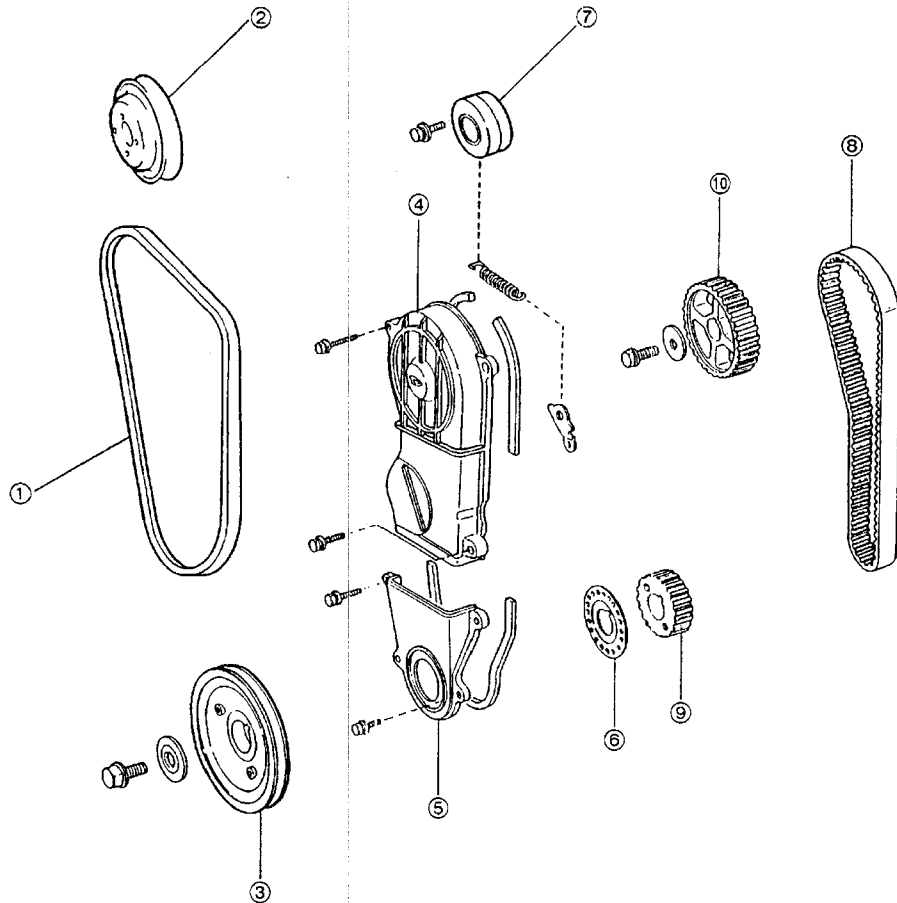
Fig. 5-83

WM-05094

ENGINE MECHANICALS

TIMING BELT

CB-23 AND CB-61 ENGINES COMPONENTS OF TIMING BELT



- ① V-belt
- ② Water pump pulley
- ③ Crank shaft pulley
- ④ Timing belt upper cover
- ⑤ Timing belt lower cover
- ⑥ Crankshaft timing belt pulley flange
- ⑦ Timing belt tensioner
- ⑧ Timing belt
- ⑨ Crankshaft timing belt pulley
- ⑩ Crankshaft timing belt pulley

Fig. 5-84

WM-05095